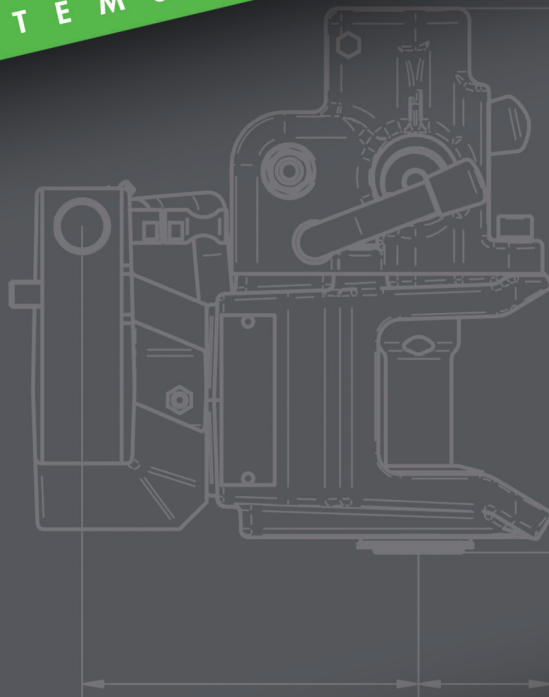
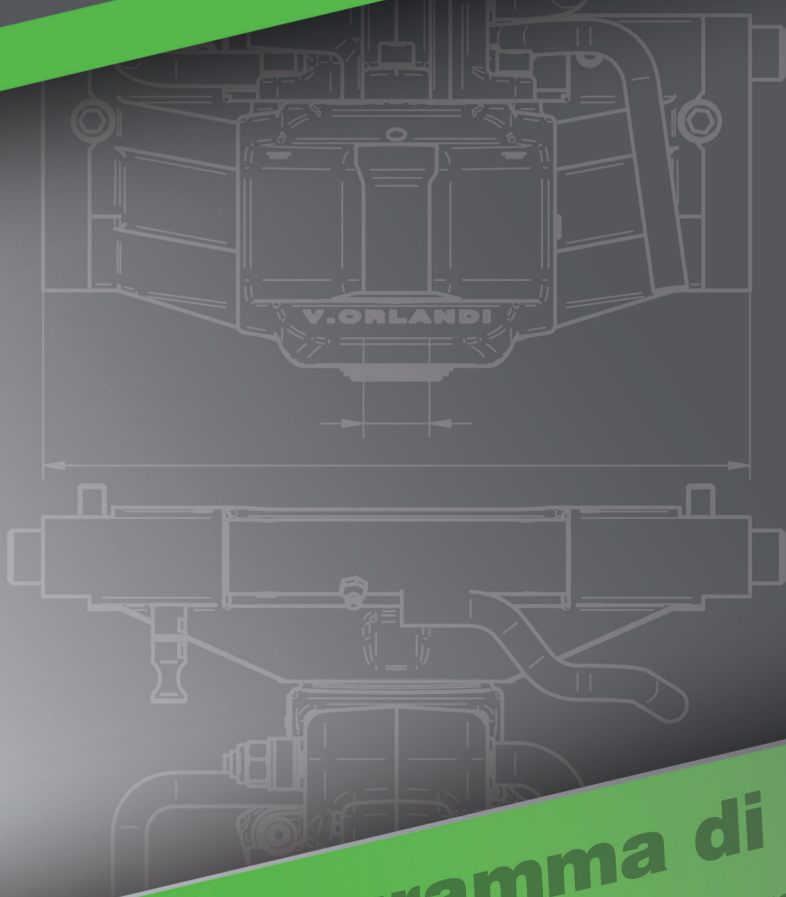




V. ORLANDI

TOWING SYSTEMS



Programma di produzione

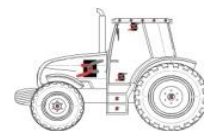
Production programme


Sistemi di traino per macchine agricole
Towing system agriculture and forestry


since 1859


ed.07


INDICE GENERALE - GENERAL INDEX





| Model | GANCI DI TRAINO GIREVOLI - SWIVEL TRAILER COUPLING CLEVIS TYPE  | pag. |
|--------------|---|------|
| AH31 | Gancio automatico serie pesante - perno cilindrico Ø31 mm / perno a botte Ø38 mm <i>Heavy-duty automatic coupling - cylindrical pin Ø 31 mm / barrel pin Ø 38 mm</i> | 4 |
| AH38 | Gancio automatico serie pesante - perno a botte Ø38 mm <i>Heavy-duty automatic coupling - barrel pin Ø 38 mm</i> | 6 |
| AH 40 | Gancio automatico - perno a botte Ø40 mm <i>Heavy-duty automatic coupling - barrel pin Ø 40 mm</i> | 8 |
| MH31 | Gancio manuale - perno cilindrico Ø 32 mm - <i>Manual coupling cylindrical pin Ø 32 mm</i> Gancio manuale serie pesante - perno cilindrico Ø 32 mm - <i>Heavy-duty manual coupling - cylindrical pin Ø 32 mm</i> | 10 |
| MHJH | Gancio manuale - perno cilindrico Ø 32 mm - <i>Manual coupling cylindrical pin Ø 32 mm</i> Gancio manuale serie pesante - perno cilindrico Ø 32 mm - <i>Heavy-duty manual coupling - cylindrical pin Ø 32 mm</i> | 12 |


| Model | GANCI DI TRAINO NON GIREVOLI - NON SWIVEL TRAILER COUPLING CLEVIS TYPE  | pag. |
|---------------|---|------|
| AH28 | Gancio automatico - perno cilindrico Ø 28 mm - <i>Automatic coupling - cylindrical pin Ø 28 mm</i> | 14 |
| MH18 | Gancio manuale - perno cilindrico Ø 18 mm - <i>Manual coupling - cylindrical pin Ø 18 mm</i> | 16 |
| MH28 | Gancio manuale - perno cilindrico Ø 28 mm - <i>Manual coupling - cylindrical pin Ø 28 mm</i> | 17 |
| MH28X | Gancio manuale - perno cilindrico Ø 28 mm - <i>Manual coupling - cylindrical pin Ø 28 mm Dynamic test</i> | 17 |
| MH28M | Gancio manuale - perno cilindrico Ø 28 mm - <i>Manual coupling - cylindrical pin Ø 28 mm</i> | 18 |
| MH43M | Gancio manuale - perno cilindrico Ø 43 mm - <i>Manual coupling - cylindrical pin Ø 43 mm</i> | 20 |
| MH50M | Gancio manuale - perno cilindrico Ø 50 mm - <i>Manual coupling - cylindrical pin Ø 50 mm</i> | 21 |
| MH43 | Gancio manuale - perno cilindrico Ø 43 mm - <i>Manual coupling - cylindrical pin Ø 43 mm</i> | 22 |
| MH50 | Gancio manuale - perno cilindrico Ø 50 mm - <i>Manual coupling - cylindrical pin Ø 50 mm</i> | 23 |
| MH43-6 | Gancio manuale - perno cilindrico Ø 43 mm - <i>Manual coupling - cylindrical pin Ø 43 mm</i> | 24 |
| MH50-6 | Gancio manuale - perno cilindrico Ø 50 mm - <i>Manual coupling - cylindrical pin Ø 50 mm</i> | 25 |

| Model | GANCI DI MANOVRA  | pag. |
|--------------|---|------|
| GM 10 | | 26 |

| Model | PITON FIXE  | pag. |
|-------------|---|------|
| SP00 | Supporto scorrevole con piton fixe - <i>Lift Piton-fixe support</i> | 27 |
| SP45 | Supporto con piton fixe - <i>Piton-fixe support</i> | 28 |
| GP45 | Supporto flangiabile con piton fixe - <i>Flanges Piton-fixe support</i> | 29 |

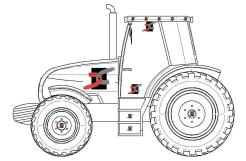
| Model | GANCI A SFERA - BALL COUPLING  | pag. |
|-------------|--|------|
| GS80 | Gancio a sfera flangiabile - <i>Lift Piton-fixe support</i> | 30 |

| Model | BARRE DI TRAINO - SWINGING DRAWBARS  | pag. |
|-----------|--|------|
| BT | Barra di traino CEE- perno cilindrico Ø 32 mm - <i>CEE drawbar - cylindrical pin Ø 32 mm</i> | 31 |

| Model | SUPPORTI SCORREVOLI FLANGIATI - FLANGED LIFT BEARINGS  | pag. |
|--------------|---|------|
| LB 40 | Slitta scorrevole flangiata - <i>Flanged lift bearing</i> | 32 |
| LB 41 | Slitta scorrevole flangiata - <i>Flanged lift bearing</i> | 33 |
| LB 42 | Slitta scorrevole flangiata - <i>Flanged lift bearing</i> | 34 |
| LB 32 | Slitta scorrevole flangiata - <i>Flanged lift bearing</i> | 35 |

| Model | PARAMETRI TECNICI - TECHNICAL PARAMETERS | pag. |
|-----------------|--|------|
| Appendix | METODOLOGIA DI CALCOLO - <i>CALCULATION METHOD</i> | 36 |
| Notes | NOTE | 37 |

AH31

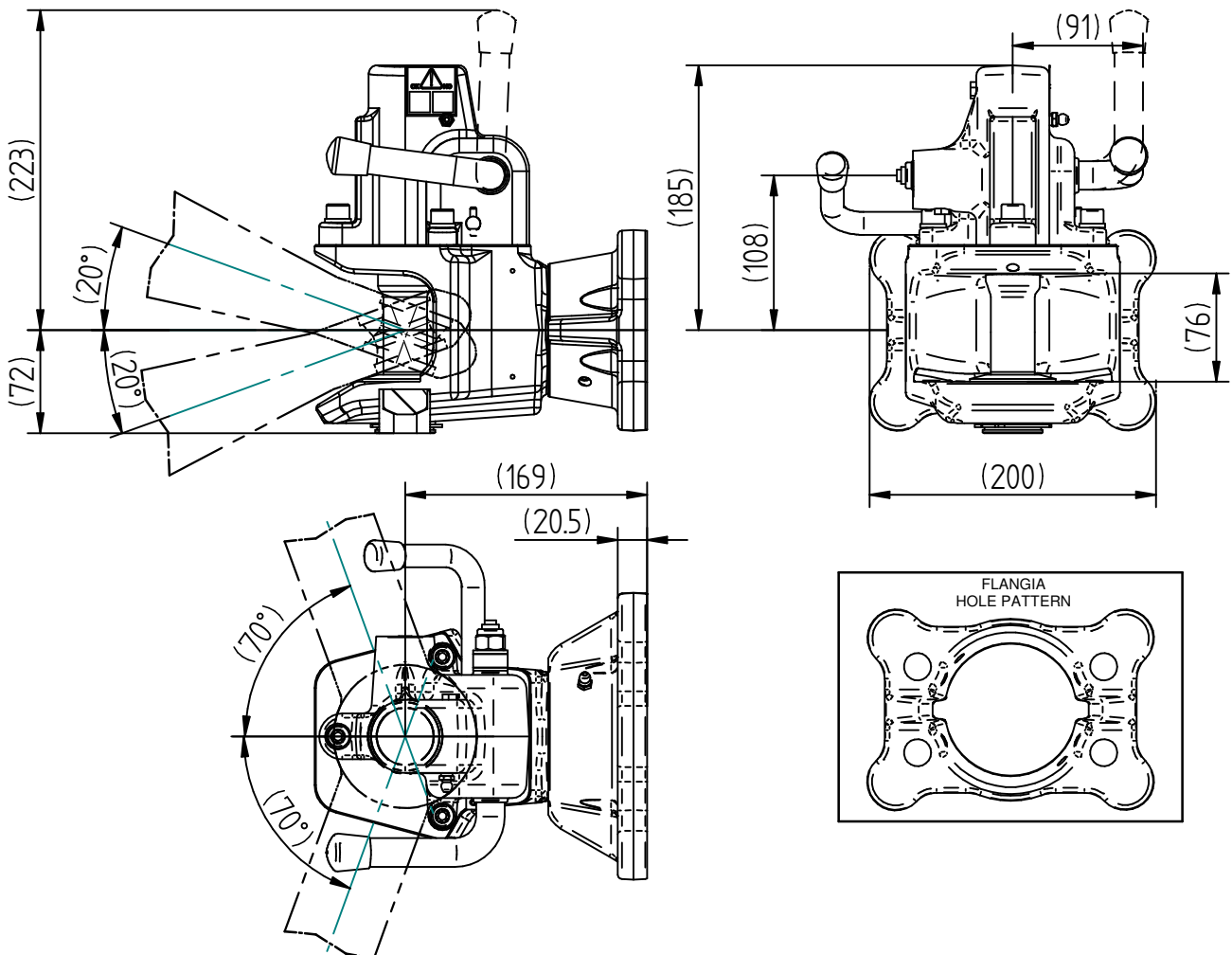


**Gancio automatico serie pesante
perno cilindrico Ø31**
**Heavy duty automatic coupling
cylindrical pin Ø31**

| | |
|--|---|
| STANDARD DIMENSIONALI dimensional standards | DIN 11028 ; ISO 6489-2 ; 2009/144/CE ; 2016/1788 |
| GIREVOLE swivel | 360° |
| per OCCHIONI non girevoli for no swivel draw-bar eyes | Ø 40 ISO 5692-2 ; ISO 8755 ; DIN 11026 ; DIN 11043 ; DIN 74054 |

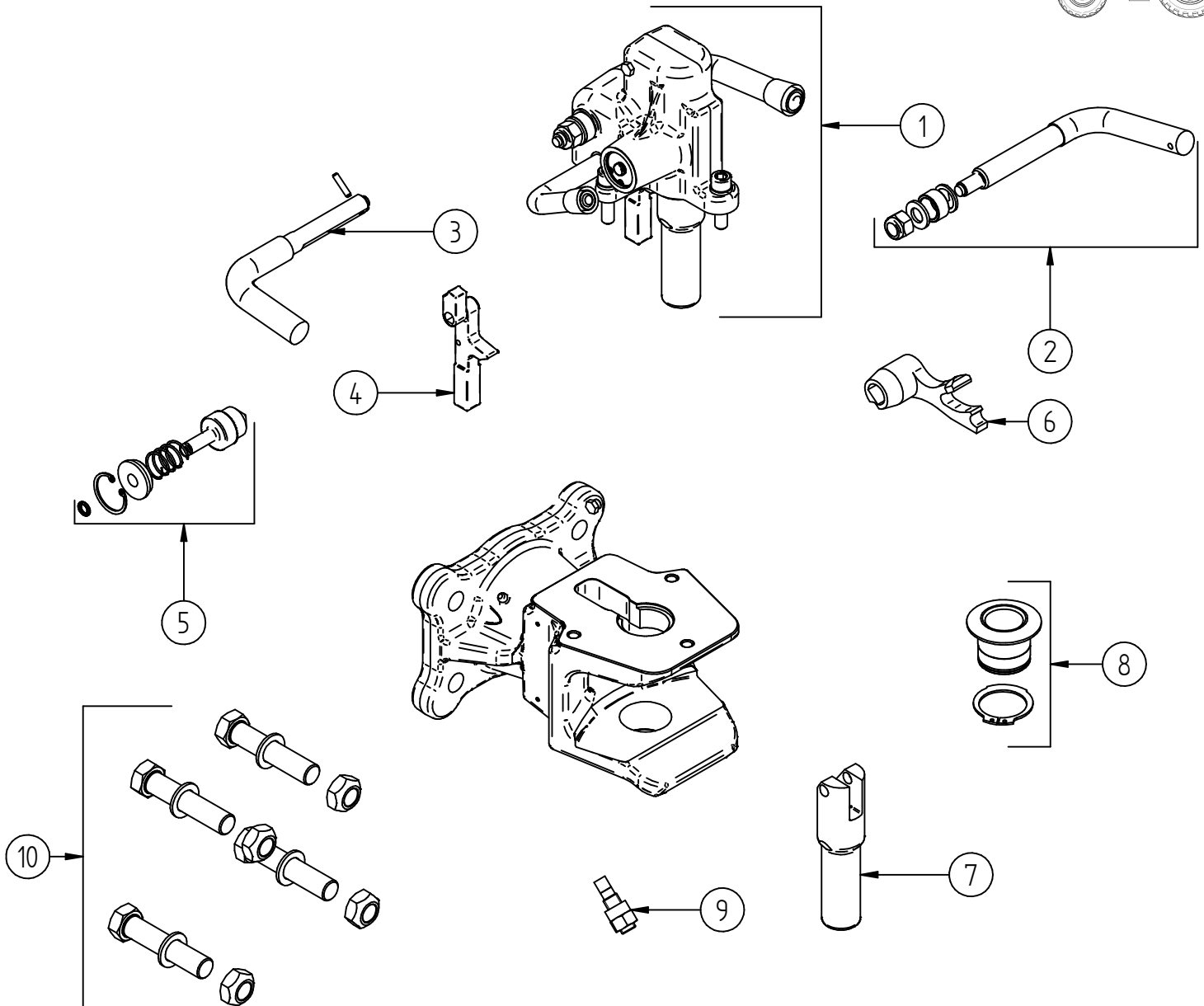
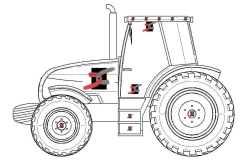
Dati tecnici - Technical data

| Modello - Model | Codice Article number | Flangia Hole pattern (mm) | Viti di fissaggio Fixing screws | Valore D D-Value (kN) | Carico verticale S S-Load (kg) | Omologazione Homologation | Peso Weight (kg) |
|--------------------|--------------------------|---------------------------------|------------------------------------|-----------------------------|---|------------------------------|------------------------|
| AH31 | AH31 0 B3 | 120 X 55 | M14 | 60 | 2000 | e5*2015/208*2018/829ND*01005 | 18 |
| | AH31 0 B1 | 130 X 60 | M18 | 100 | 2500 | e3*2015/208*2018/829ND*30009 | 18 |
| | AH31 0 B4 | 140 X 80 | M16 | 100 | 2500 | e3*2015/208*2018/829ND*30009 | 18 |
| | AH31 0 B5 | 160 X 100 | M20 | 100 | 2500 | e3*2015/208*2018/829ND*30009 | 18 |



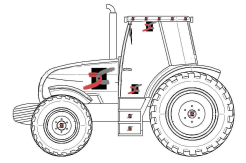
AH31

Ricambi - Spare parts




| POS. | Tutti i tipi All types | Codice - article number | | | |
|------|---------------------------|-------------------------|-----------|-----------|-----------|
| | | AH 31 0B1 | AH 31 0B4 | AH 31 0B5 | AH 31 0B3 |
| 1 | | RA 00 034 | RA 00 034 | RA 00 034 | RA 00 034 |
| 2 | RA 00 283 | | | | |
| 3 | RA 00 282 | | | | |
| 4 | RA 00 280 | | | | |
| 5 | RA 00 143 | | | | |
| 6 | RA 00 091 | | | | |
| 7 | | RA 00 035 | RA 00 035 | RA 00 035 | RA 00 035 |
| 8 | RA 00 028 | | | | |
| 9 | RA 00 093 | | | | |
| 10 | | RA 00 040 | RA 00 033 | RA 00 190 | RA 00 133 |

AH38

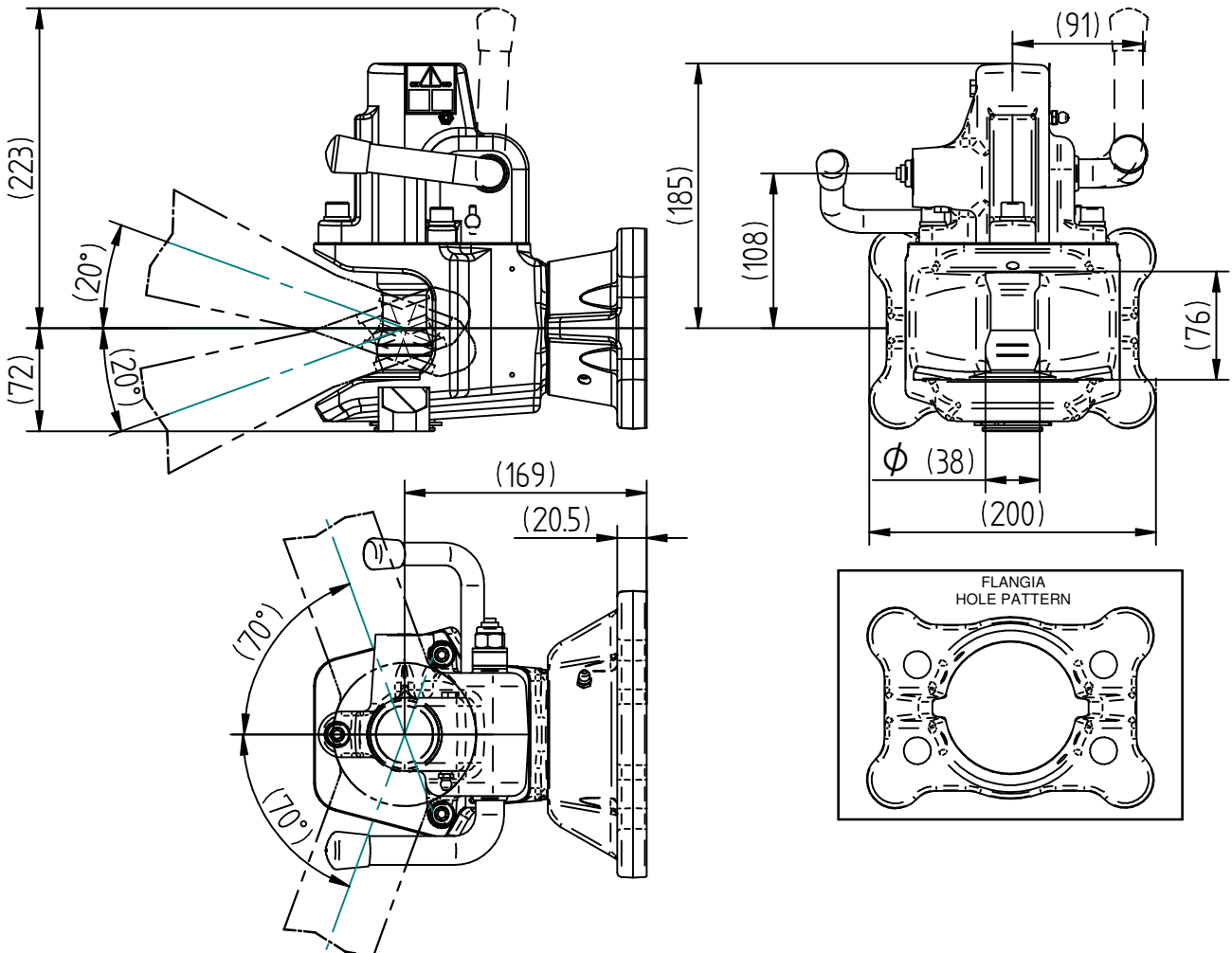


**Gancio automatico serie pesante
perno a botte Ø38**
**Heavy duty automatic coupling
barrel pin Ø38**

| | |
|---|---|
| STANDARD DIMENSIONALI dimensional standards | DIN 11028 ; ISO 6489-2 ; 2009/144/CE ; 2015/208 |
| GIREVOLE swivel |  360° |
| per OCCHIONI non girevoli for no swivel draw-bar eyes | Ø 40 ISO 5692-2 ; ISO 8755 ; DIN 11026 ; DIN 11043 ; DIN 74054 |

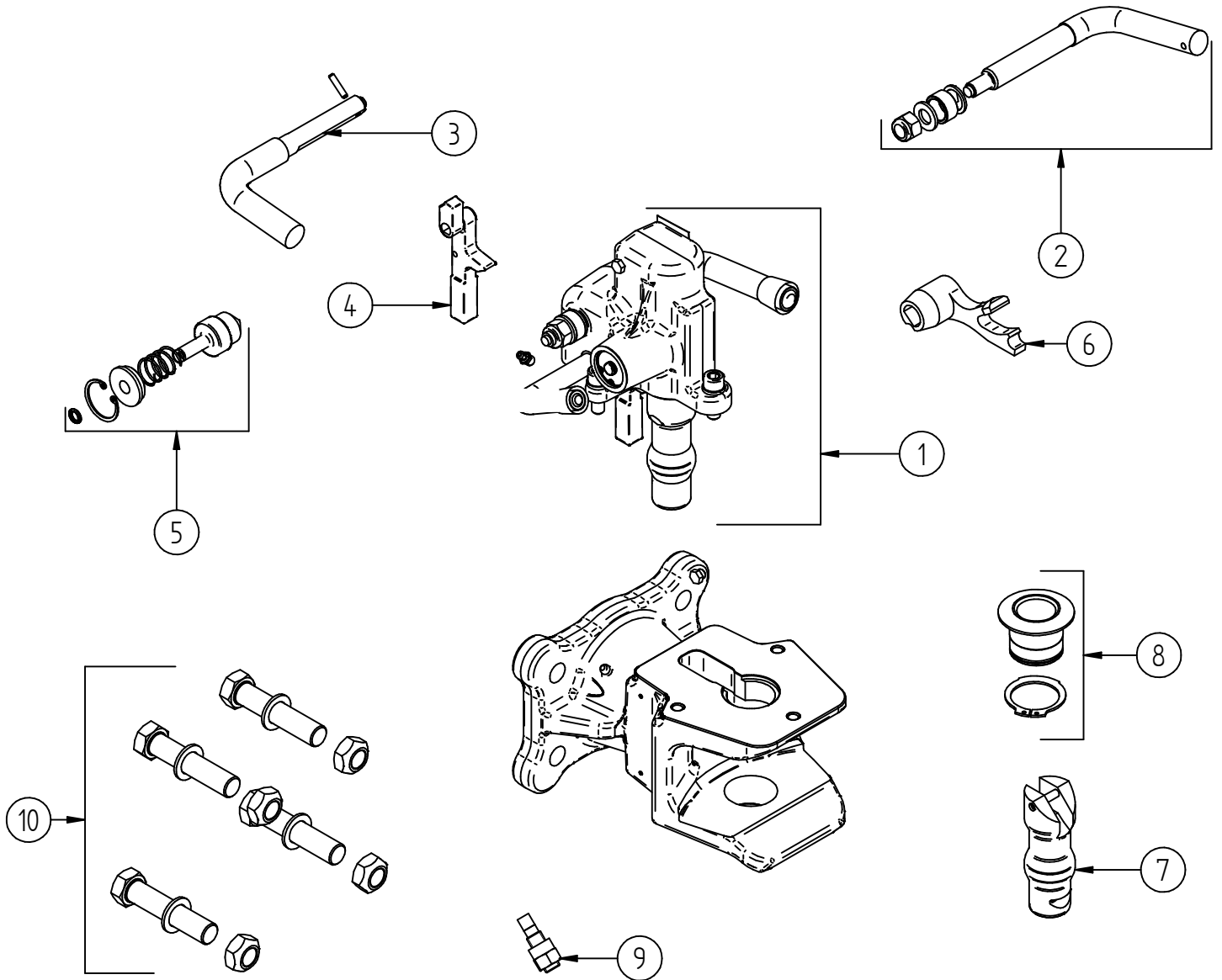
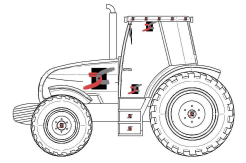
Dati tecnici - Technical data

| Modello - Model | Codice Article number | Flangia Hole pattern (mm) | Viti di fissaggio Fixing screws | Valore D D-Value (kN) | Carico verticale S S-Load (kg) | Omologazione Homologation | Peso Weight (kg) |
|-----------------|-----------------------|---------------------------|---------------------------------|-----------------------|--------------------------------|------------------------------|------------------|
| AH38 | AH38 0 A3 | 120 X 55 | M14 | 60 | 2000 | e5*2015/208*2018/829ND*01005 | 18 |
| | AH38 0 A1 | 130 X 60 | M18 | 100 | 2500 | e3*2015/208*2018/829ND*30009 | 18 |
| | AH38 0 A4 | 140 X 80 | M16 | 100 | 2500 | e3*2015/208*2018/829ND*30009 | 18 |
| | AH38 0 A5 | 160 X 100 | M20 | 100 | 2500 | e3*2015/208*2018/829ND*30009 | 18 |



AH38

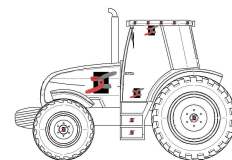
Ricambi - Spare parts



| POS. | Tutti i tipi All types | Codice - article number | | | |
|------|---------------------------|-------------------------|-----------|-----------|-----------|
| | | AH 38 0A1 | AH 38 0A4 | AH 38 0A5 | AH 38 0A3 |
| 1 | | RA 00 007 | RA 00 007 | RA 00 007 | RA 00 007 |
| 2 | RA 00 283 | | | | |
| 3 | RA 00 282 | | | | |
| 4 | RA 00 280 | | | | |
| 5 | RA 00 143 | | | | |
| 6 | RA 00 091 | | | | |
| 7 | | RA 00 029 | RA 00 029 | RA 00 029 | RA 00 029 |
| 8 | RA 00 028 | | | | |
| 9 | RA 00 093 | | | | |
| 10 | | RA 00 040 | RA 00 033 | RA 00 190 | RA 00 133 |



AH40

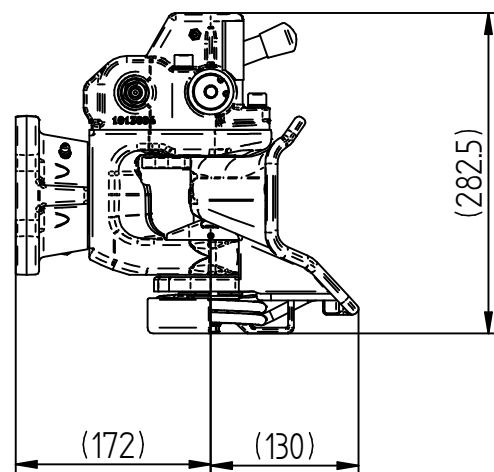
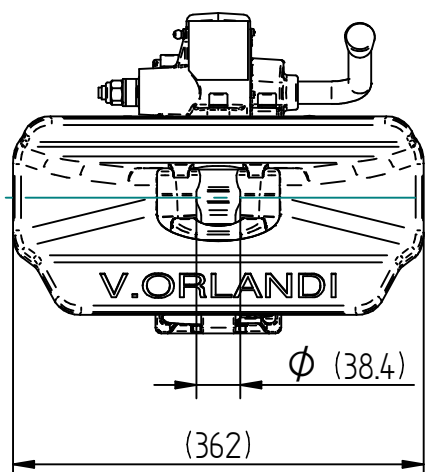


**Gancio automatico serie pesante
perno a botte Ø40**
**Heavy duty automatic coupling
barrel pin Ø40**

| | |
|--|---|
| STANDARD DIMENSIONALI dimensional standards | ECE R55-01 |
| GIREVOLE swivel | 360° |
| per OCCHIONI non girevoli for no swivel draw-bar eyes | Ø 40 ISO 5692-2 ; ISO 8755 ; DIN 11026 ; DIN 11043 ; DIN 74054 |

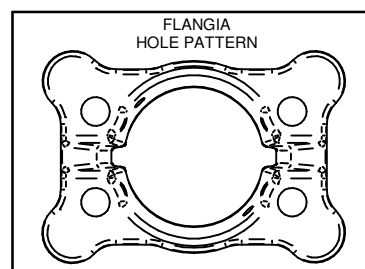
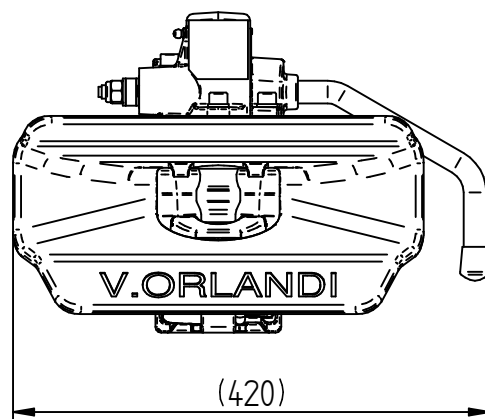
| Dati tecnici - Technical data | | | | | | | | |
|-------------------------------|-----------------------|-------------------------|---------------------------------|---------------------|-----------------------|--------------------------------|--------------------------------------|----------------|
| Modello - Model | Codice Article number | Flangia Hole pattern mm | Viti di fissaggio Fixing screws | Valore D D-Value kN | Valore Dc Dc-Value kN | Carico verticale S S-Load (kg) | Omologazione Homologation ECE R55-01 | Peso Weight kg |
| AH40 | AH 40 003 | 120x55 | M14 | 70 | 70 | 700 | E11*55R-01*11077 | 29 |
| | AH 4B 003 | 120x55 | M14 | 70 | 70 | 700 | E11*55R-01*11077 | |
| | AH 40 004 | 140x80 | M16 | 110 | 92 | 1000 | E11*55R-01*11110 | |
| | AH 4B 004 | 140x80 | M16 | 110 | 92 | 1000 | E11*55R-01*11110 | |

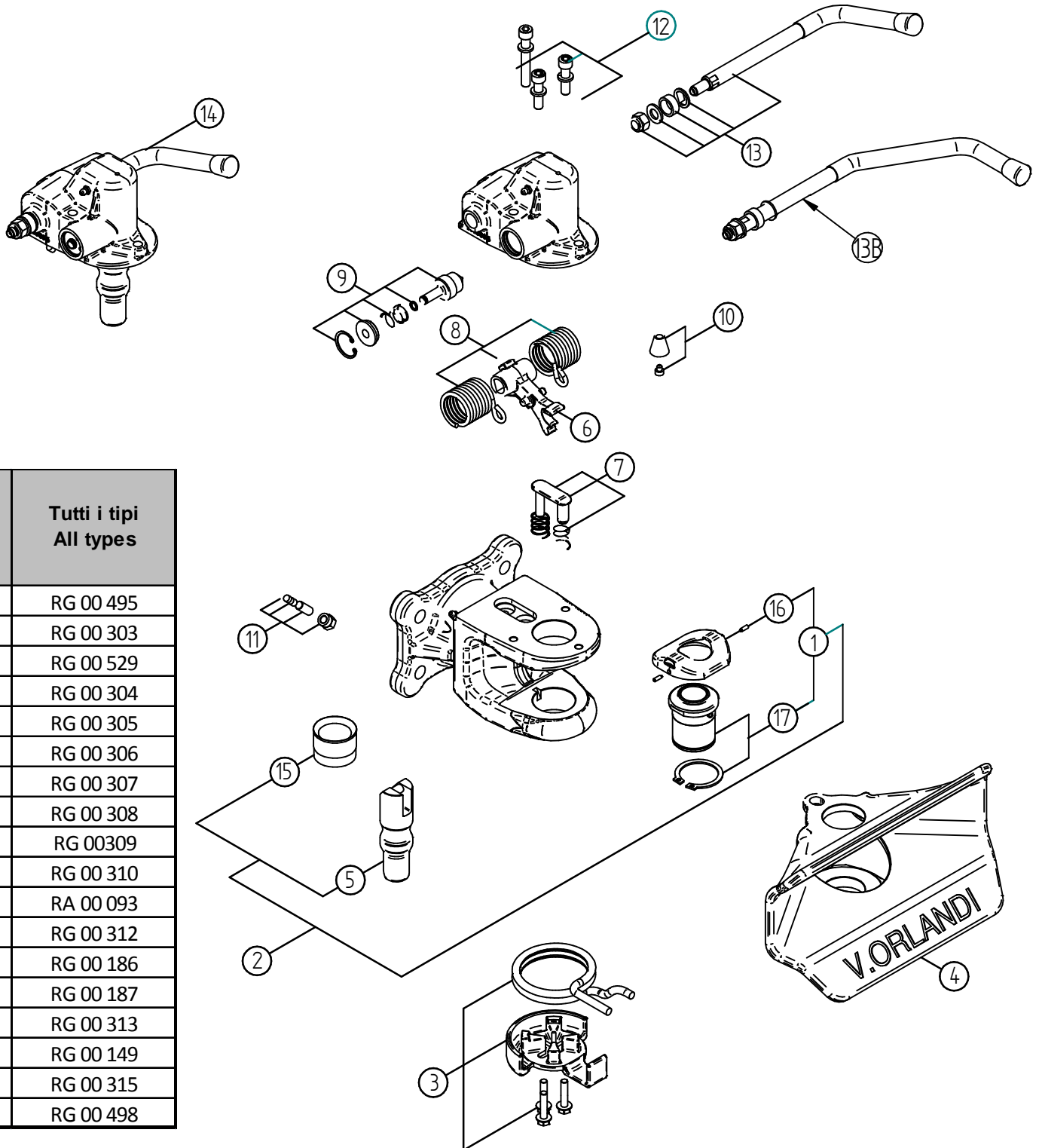
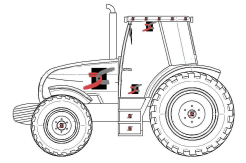
AH40



AH4B

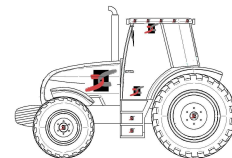
Leva bassa
Action lever downwards





| Pos. | Tutti i tipi All types |
|------|---------------------------|
| 1 | RG 00 495 |
| 2 | RG 00 303 |
| 3 | RG 00 529 |
| 4 | RG 00 304 |
| 5 | RG 00 305 |
| 6 | RG 00 306 |
| 7 | RG 00 307 |
| 8 | RG 00 308 |
| 9 | RG 00309 |
| 10 | RG 00 310 |
| 11 | RA 00 093 |
| 12 | RG 00 312 |
| 13 | RG 00 186 |
| 13B | RG 00 187 |
| 14 | RG 00 313 |
| 15 | RG 00 149 |
| 16 | RG 00 315 |
| 17 | RG 00 498 |

MH31



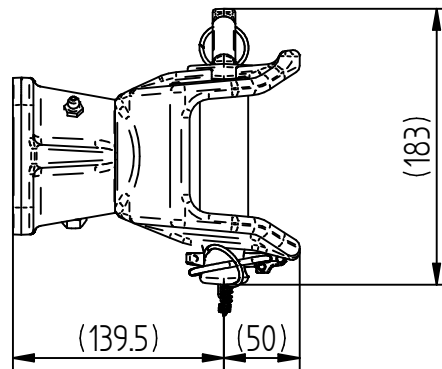
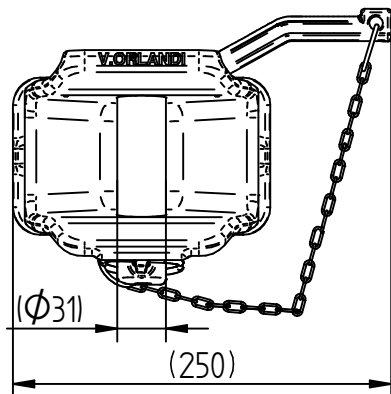
Gancio manuale - perno cilindrico Ø31
Manual coupling - cylindrical pin Ø31

| | |
|--|---|
| STANDARD DIMENSIONALI dimensional standards | DIN 11028 ; ISO 6489-2 ; 2009/144/CE ; 2015/208 |
| GIREVOLE swivel | 360° |
| per OCCHIONI non girevoli for no swivel draw-bar eyes | Ø 40/50 ISO 5692 ; ISO 8755 ; ISO 20019 ; DIN 11026 ; DIN 11043 ; DIN 74054 ; DIN 74053 |

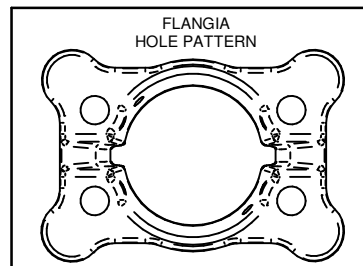
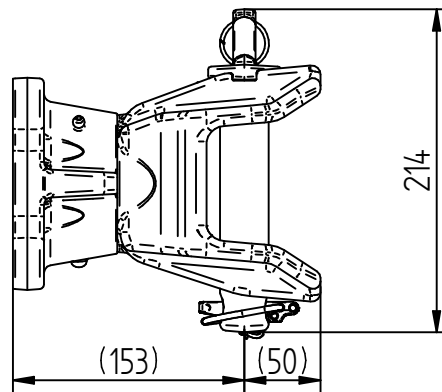
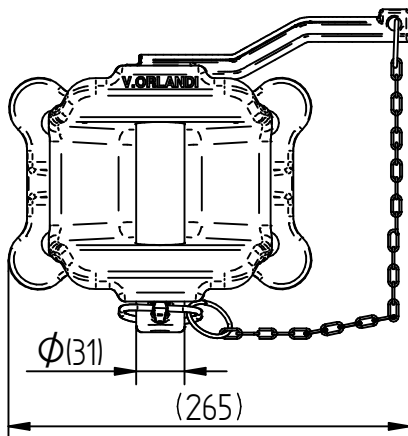
Dati tecnici - Technical data

| Modello - Model | Codice Article number | Flangia Hole pattern (mm) | Viti di fissaggio Fixing screws | Valore D D-Value (kN) | Carico verticale S S-Load (kg) | Omologazione Homologation | Peso Weight (kg) |
|------------------|-----------------------|---------------------------|---------------------------------|-----------------------|--------------------------------|------------------------------|------------------|
| MH31 | MH31 0 F3 | 120 X 55 | M14 | 60 | 2000 | e3*2015/208*2018/829ND*30087 | 9,5 |
| | MH31 0 F1 | 130 X 60 | M18 | 60 | 2000 | e3*2015/208*2018/829ND*30087 | |
| MH31H Heavy Duty | MH31 0 E1 | 130 X 60 | M18 | 100 | 2500 | e3*2015/208*2018/829ND*30010 | 14,5 |
| | MH31 0 E4 | 140 X 80 | M16 | 100 | 2500 | e3*2015/208*2018/829ND*30010 | |
| | MH31 0 E5 | 160 X 100 | M20 | 100 | 2500 | e3*2015/208*2018/829ND*30010 | |

MH 31



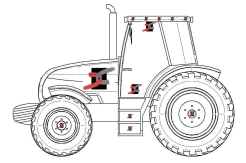
MH 31H Heavy Duty



MH 31 - MH31H

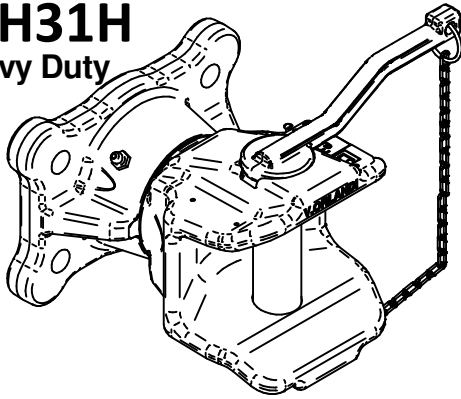
Heavy Duty

Ricambi - Spare parts

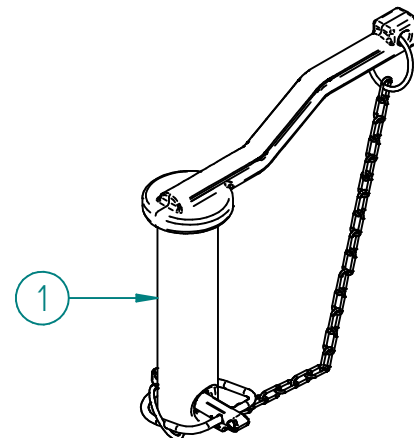
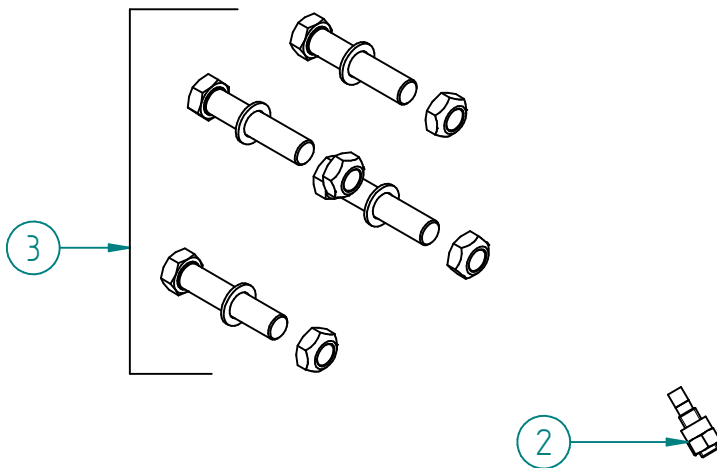
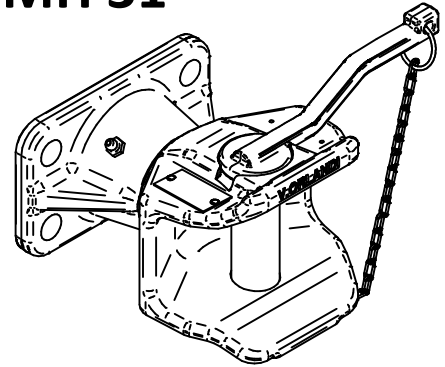


MH31H

Heavy Duty



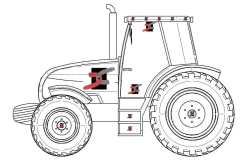
MH 31



| POS. | Tutti i tipi All types | Codice - Article number | | | | |
|------|---------------------------|-------------------------|-----------|-----------|-----------|-----------|
| | | MH 31 0F1 | MH 31 0F3 | MH 31 0E1 | MH 31 0E4 | MH 31 0E5 |
| 1 | | RA 00 215 | RA 00 215 | RA 00 214 | RA 00 214 | RA 00 214 |
| 2 | RA 00 093 | | | | | |
| 3 | | RA 00 040 | RA 00 133 | RA 00 040 | RA 00 033 | RA 00 190 |



MH JH



Gancio manuale - perno cilindrico

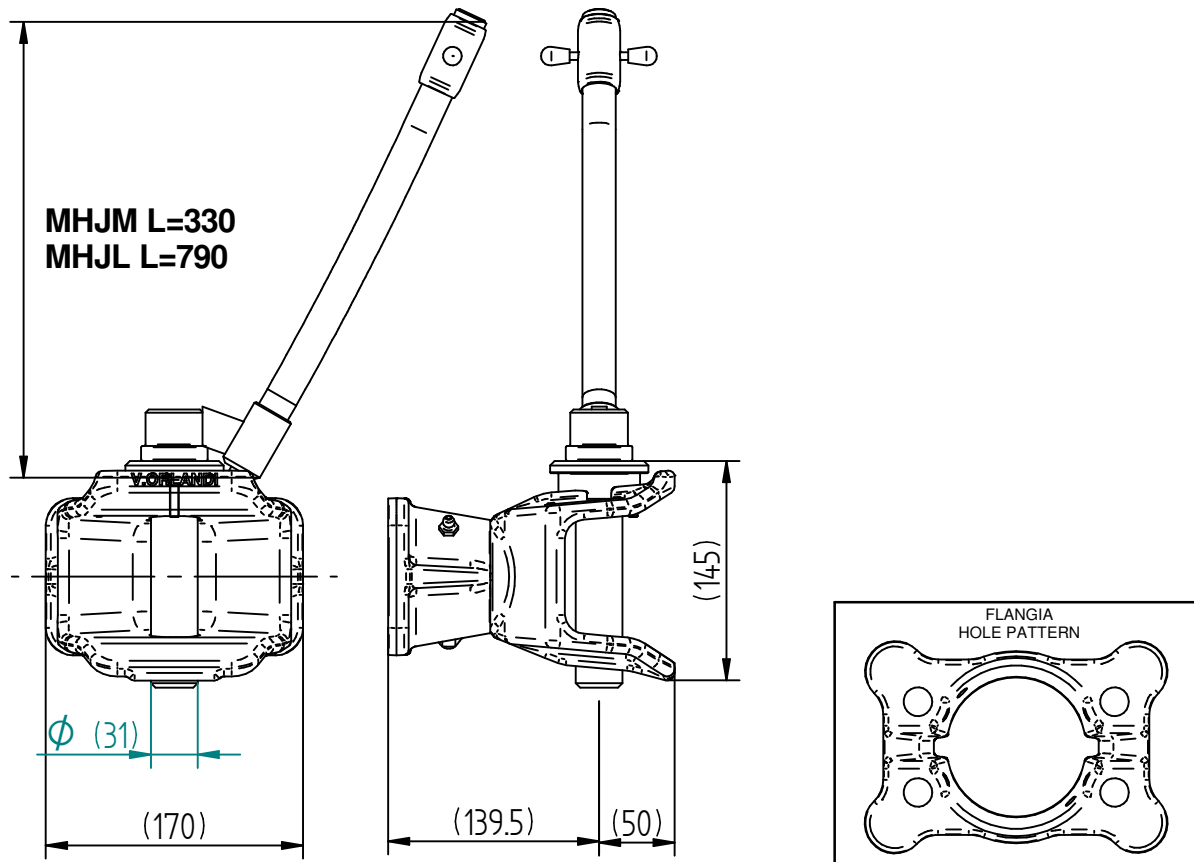
Ø31

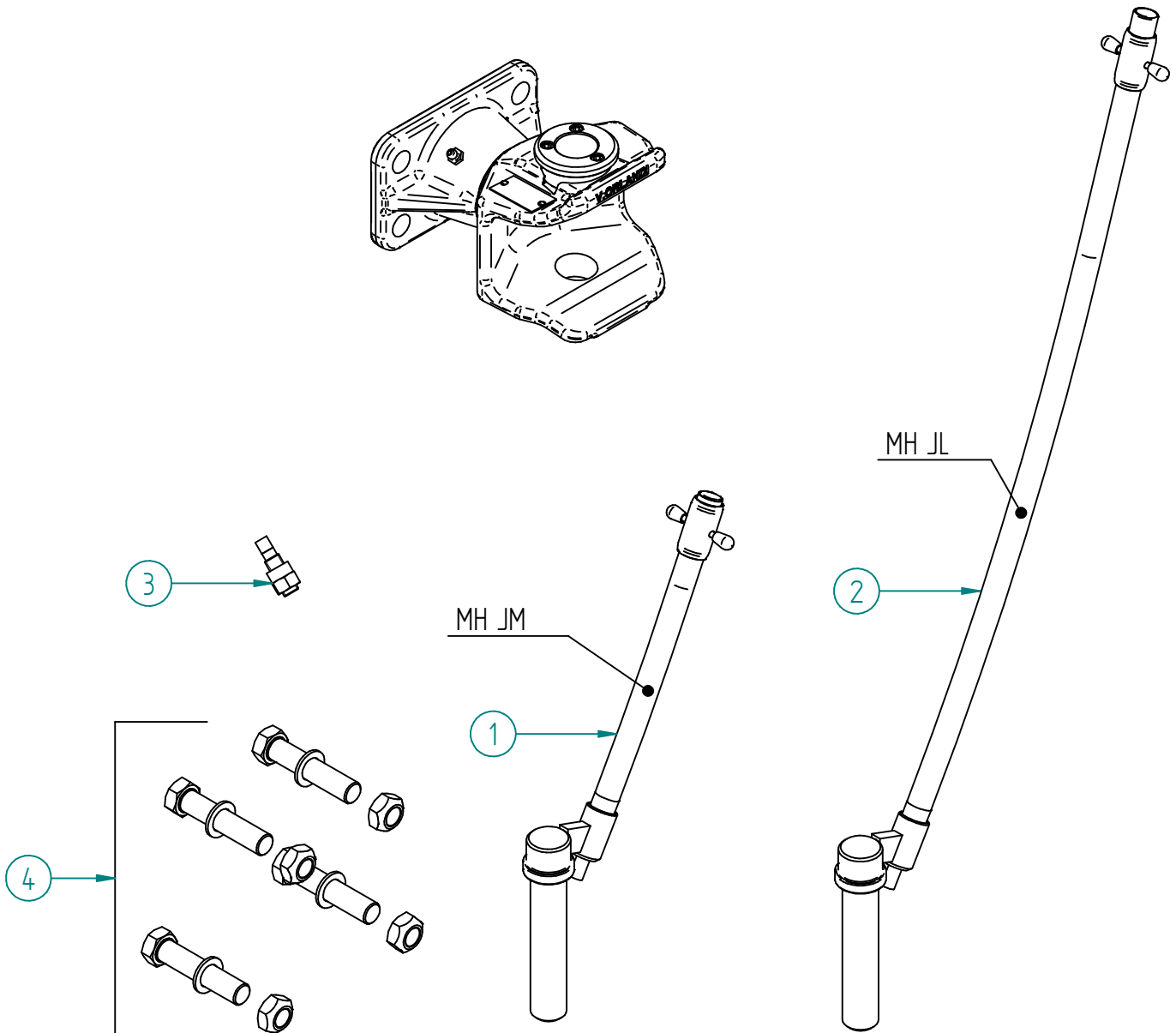
Manual coupling -cylindrical pin

Ø31

| | |
|---|---|
| STANDARD DIMENSIONALI dimensional standards | DIN 11028 ; ISO 6489-2 ; 2009/144/CE ;2015/208 |
| GIREVOLE swivel | 360° |
| per OCCHIONI non girevoli for no swivel draw-bar eyes | Ø 40/50 ISO 5692-2 ; ISO 8755 ; DIN 11026 ; DIN 11043 ; DIN 74054 |

| Dati tecnici - Technical data | | | | | | | | |
|-------------------------------|--------------------------|---------------------------------|---------------------------------------|-------------------------|-----------------------------|---|------------------------------|------------------------|
| Model | Codice Article number | Flangia Hole pattern (mm) | Viti di fissaggio Fixing screws | Lunghezza perno (mm) | Valore D D-Value (kN) | Carico verticale S S-Load (kg) | Omologazione Homologation | Peso Weight (kg) |
| MHJH | MHJM0F1 | 130 X 60 | M18 | 330 | 60 | 2000 | e3*2015/208*2018/829ND*30087 | 9,5 |
| | MHJM0F3 | 120X55 | M14 | 330 | | | e3*2015/208*2018/829ND*30087 | |
| | MHJL0F1 | 130 X 60 | M18 | 790 | 60 | 2000 | e3*2015/208*2018/829ND*30087 | 9,5 |
| | MHJL0F3 | 120X55 | M14 | 790 | | | e3*2015/208*2018/829ND*30087 | |



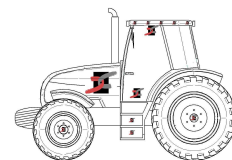



| POS. | Tutti i tipi All types | Codice - Article number | | | |
|------|---------------------------|-------------------------|------------|------------|------------|
| | | MH JM 0 F1 | MH JM 0 F3 | MH JL 0 F1 | MH JL 0 F3 |
| 1 | | RA 00 070 | RA 00 070 | | |
| 2 | | | | RA 00 063 | RA 00 063 |
| 3 | RA 00 093 | | | | |
| 4 | | RA 00 040 | RA 00 133 | RA 00 040 | RA 00 133 |



AH28

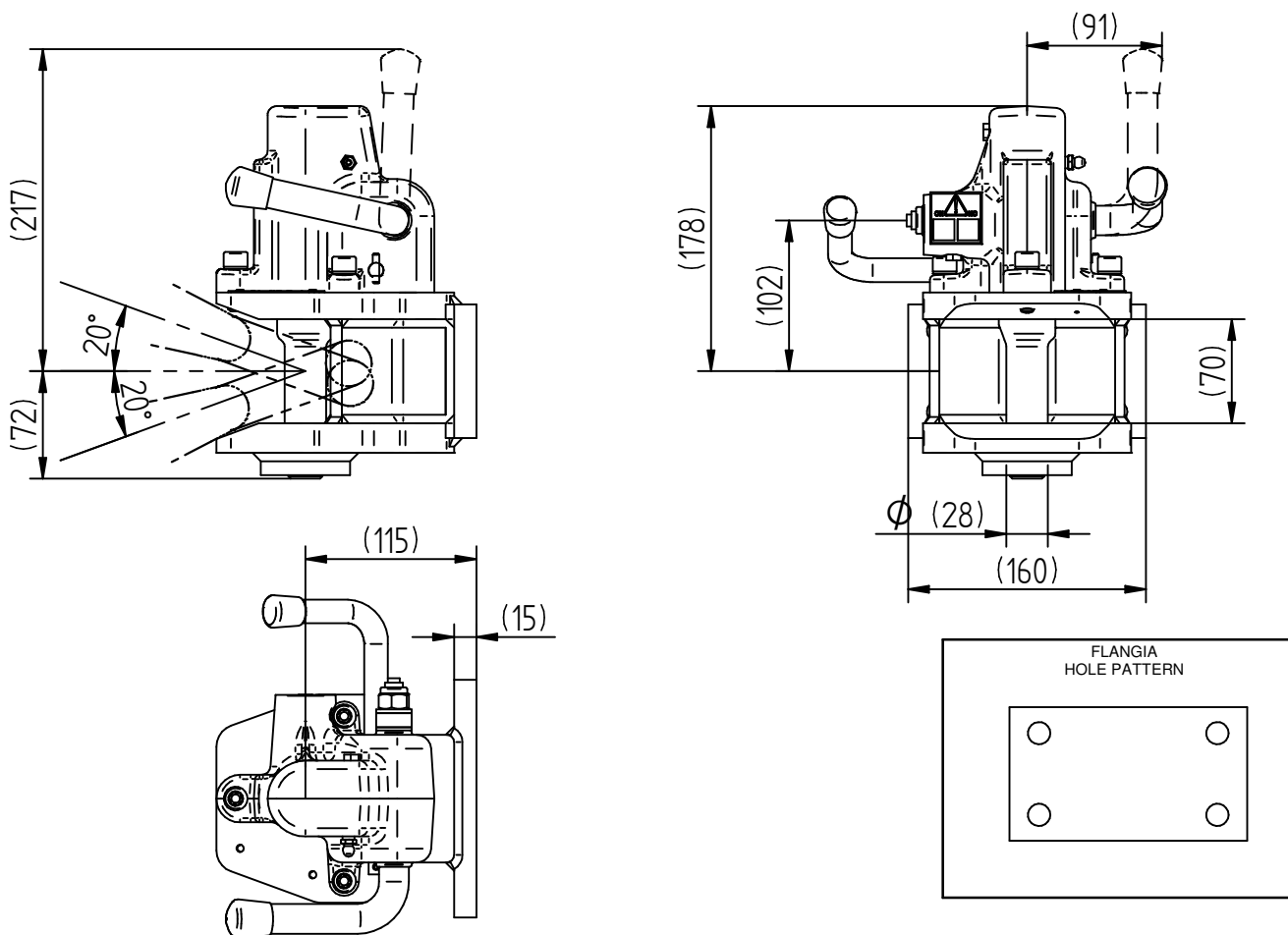
**Gancio automatico
perno cilindrico Ø28**
**Automatic coupling
cylindrical pin Ø28**

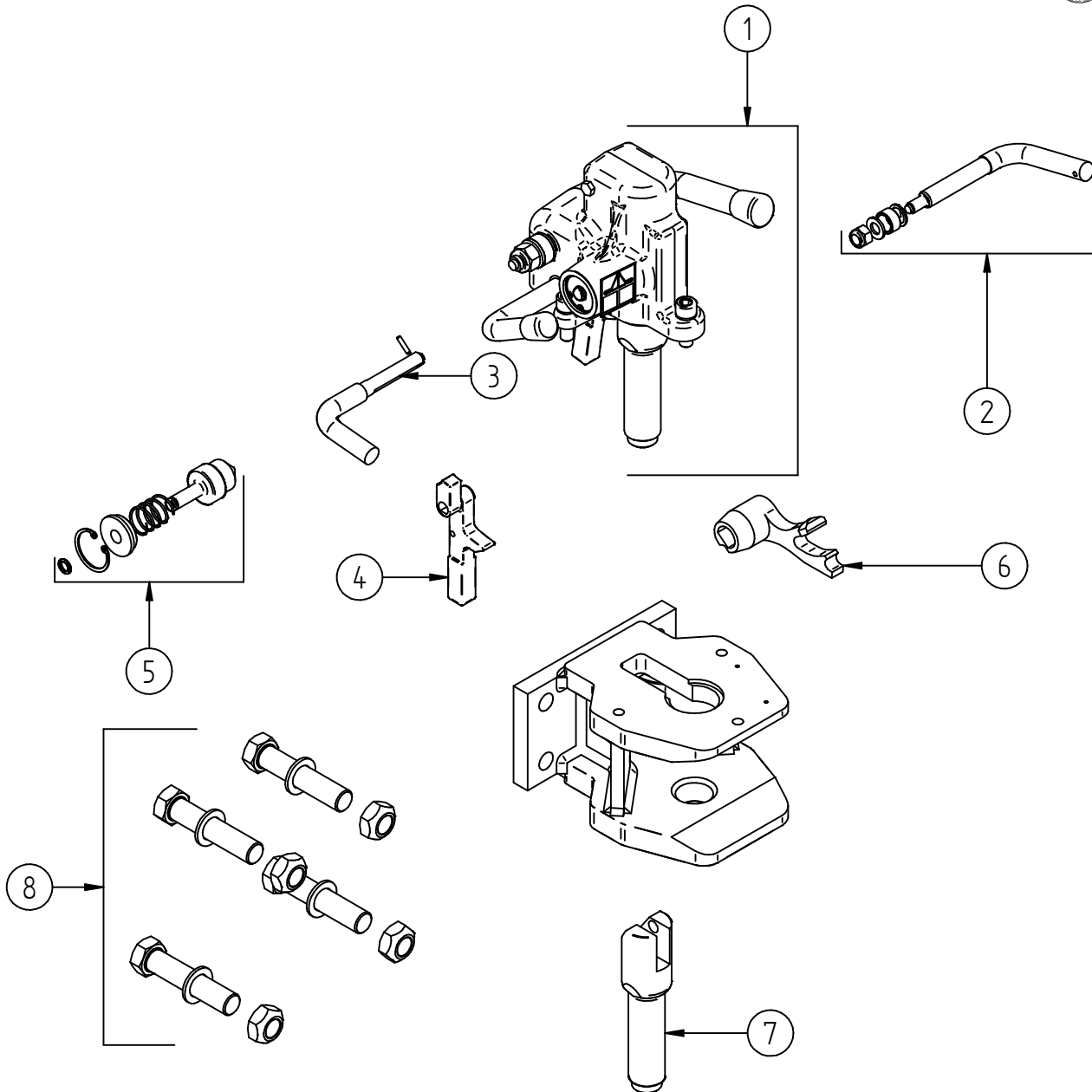
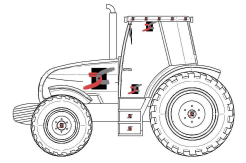


| | |
|--|---|
| STANDARD DIMENSIONALI dimensional standards | CUNA 338.02 cat. C ; ISO 6489-5 shape x ; 2013/8/CEE;2015/208 |
| NON GIREVOLE non-swivel |  |
| per OCCHIONI for draw-bar eyes | CUNA 438.06 cat. E3 ; ISO 5692-3 shape X |

Dati tecnici - Technical data

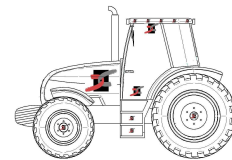
| Modello - Model | Codice Article number | Flangia Hole pattern mm | Viti di fissaggio Fixing screws | categoria class | massa rimorchiabile trailer mass t | carico verticale static load daN | Omologazione Homologation | Peso Weight kg |
|--------------------|--------------------------|-------------------------------|------------------------------------|--------------------|---|---|------------------------------|----------------------|
| AH28 | AH28 0 G1 | 130 X 60 | M18 | C | 6 | 1500 | e3*2015/208*2018/829NS*10033 | 13 |
| | AH28 0 G3 | 120 X 55 | M14 | | | | | |
| | AH28 0 G4 | 140 X 80 | M16 | | | | | |






| POS. | Tutti i tipi All types | Codice - Article number | | |
|------|---------------------------|-------------------------|-----------|-----------|
| | | AH28 0 G1 | AH28 0 G3 | AH28 0 G4 |
| 1 | RA 00 188 | | | |
| 2 | RA 00 141 | | | |
| 3 | RA 00 282 | | | |
| 4 | RA 00 280 | | | |
| 5 | RA 00 143 | | | |
| 6 | RA 00 091 | | | |
| 7 | RA 00 189 | | | |
| 8 | | RA 00 040 | RA 00 133 | RA 00 241 |

MH18

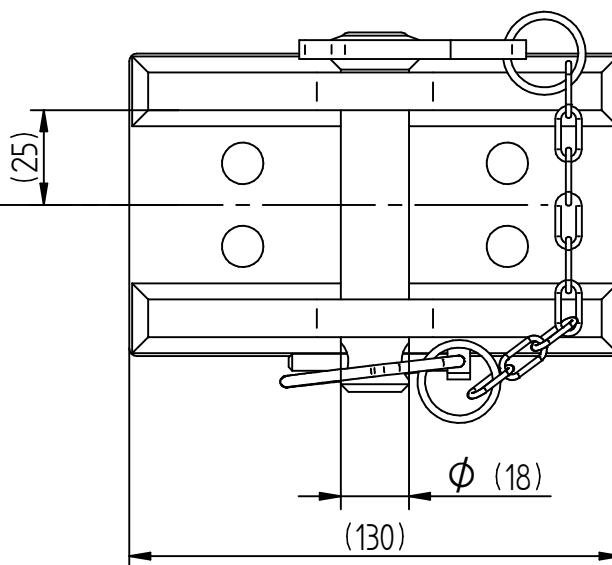
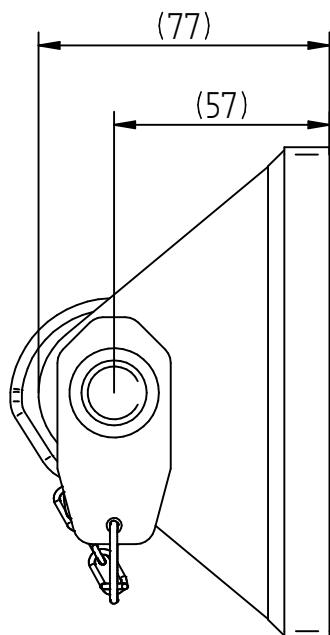
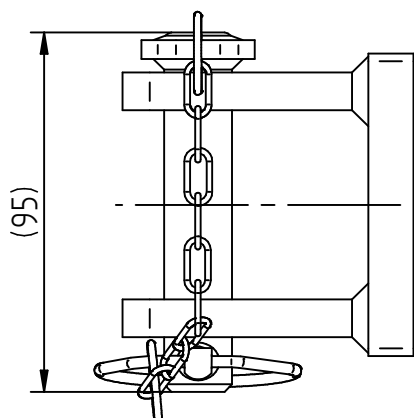


**Gancio manuale
perno cilindrico Ø18
Manual coupling
cylindrical pin Ø18**

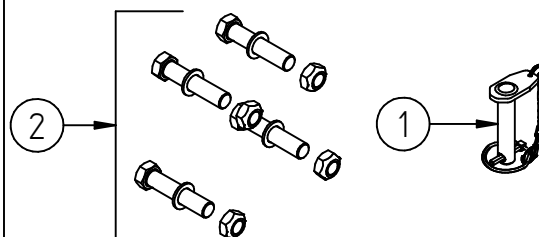
| | |
|--|---|
| STANDARD DIMENSIONALI dimensional standards | CUNA 338.02 cat. A1 ; ISO 6489-5 shape w ; 2013/8/CEE;2015/208 |
| NON GIREVOLE non-swivel |  |
| per OCCHIONI for draw-bar eyes | CUNA 438.06 cat. E1 ; ISO 5692-3 shape W |

Dati tecnici - Technical data

| Modello - Model | Codice Article number | Flangia Hole pattern mm | Viti di fissaggio Fixing screws | massa rimorchiabile trailer mass t | carico verticale static load daN | Omologazione Homologation | Peso Weight kg |
|--------------------|--------------------------|-------------------------------|------------------------------------|---|--|------------------------------|----------------------|
| MH18 | MH18 0 RX | 70 X 22 | M10 | 3 | 250 | e3*2015/208*2018/829NS*10015 | 2 |

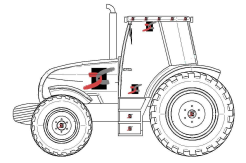


Ricambi - Spare parts




| POS. | Tutti i tipi All types |
|------|---------------------------|
| 1 | RA 00 286 |
| 2 | RA 00 284 |

MH28

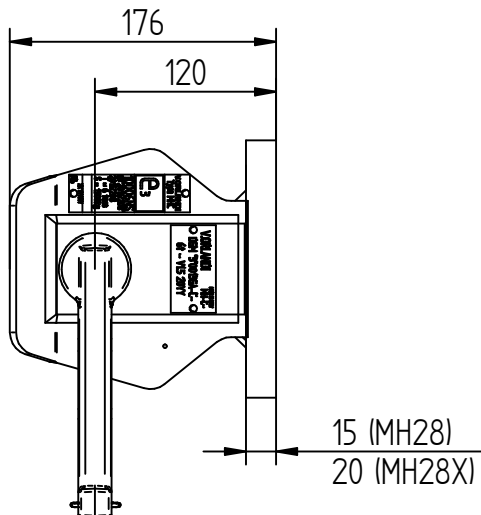
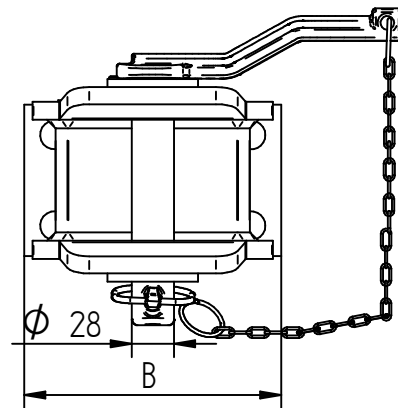
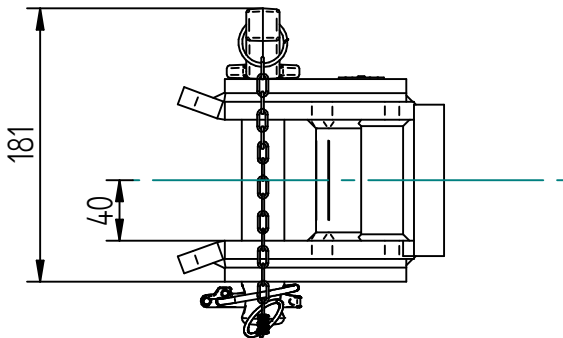


**Gancio manuale
perno cilindrico Ø28
Manual coupling
cylindrical pin Ø28**

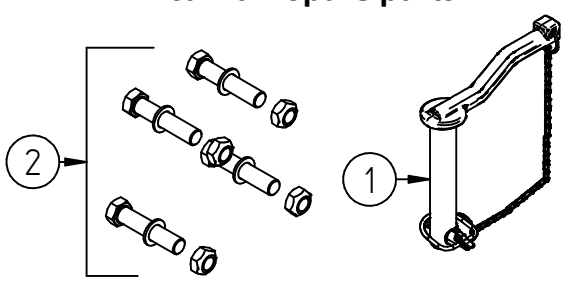
| | |
|--|---|
| STANDARD DIMENSIONALI dimensional standards | CUNA 338.02 cat. C ; ISO 6489-5 shape x ; 2015/208 |
| NON GIREVOLE non-swivel |  |
| per OCCHIONI for draw-bar eyes | CUNA 438.06 cat. E3 ; ISO 5692-3 shape X |

| Dati tecnici - Technical data | | | | | | | | | |
|-------------------------------|-----------------------|-------------------------|---------------------------------|------------------------------|------------------------------|------------------------------------|----------------------------------|------------------------------|----------------|
| Modello - Model | Codice Article number | Flangia Hole pattern mm | Viti di fissaggio Fixing screws | Dimensione "B" "B" dimension | Tipo / Clevis Type ISO6849-5 | massa rimorchiabile trailer mass t | carico verticale static load daN | Omologazione Homologation | Peso Weight kg |
| MH28 | MH28 O G1 | 130 X 60 | M18 | 170 | X | 12 | 2000 | e3*2015/208*2018/829NS*10013 | 9,8 |
| | MH28 O G3 | 120 X 55 | M14 | 155 | | 6 | 1500 | e3*2015/208*2018/829NS*10006 | |
| | MH28 O G4 | 140 X 80 | M16 | 180 | | 12 | 2000 | e3*2015/208*2018/829NS*10013 | |
| | MH28 O G5 | 160x100 | M20 | 200 | | 12 | 2000 | e3*2015/208*2018/829NS*10013 | |

| Dati tecnici - Technical data | | | | | | | | | |
|-------------------------------|-----------------------|-------------------------|---------------------------------|------------------------------|------------------------------|-----------------------|--------------------------------|------------------------------|----------------|
| Modello - Model | Codice Article number | Flangia Hole pattern mm | Viti di fissaggio Fixing screws | Dimensione "B" "B" dimension | Tipo / Clevis Type ISO6849-5 | Valore D D-Value (kN) | Carico verticale S S-Load (kg) | Omologazione Homologation | Peso Weight kg |
| MH28X | MH2X O G1 | 130 X 60 | M18 | 170 | X | 50 | 1500 | e3*2015/208*2018/829ND*10025 | 10,3 |
| | MH2X O G4 | 140 X 80 | M16 | 180 | | 50 | 1500 | e3*2015/208*2018/829ND*10025 | |
| | MH2X O G5 | 160x100 | M20 | 200 | | 50 | 1500 | e3*2015/208*2018/829ND*10025 | |

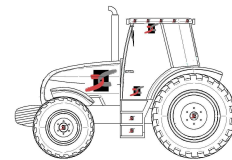


Ricambi - Spare parts




| POS. | Tutti i tipi All types | Codice - Article number | | | |
|------|------------------------|-------------------------|------------|------------|------------|
| | | MH 28 O G1 | MH 28 O G3 | MH 28 O G4 | MH 28 O G5 |
| 1 | RA 00 001 | | | | |
| 2 | | RA 00 040 | RA 00 133 | RA 00 241 | RA 00 190 |

MH28M

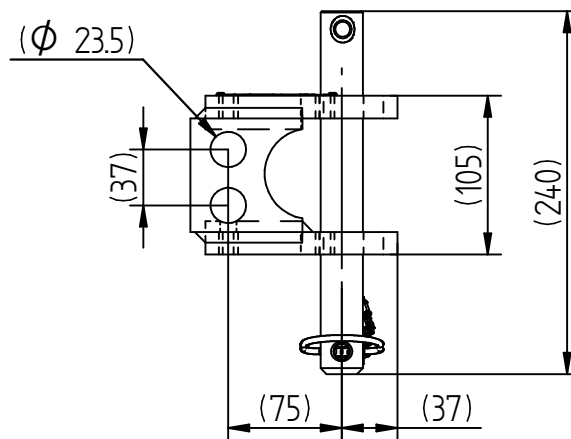
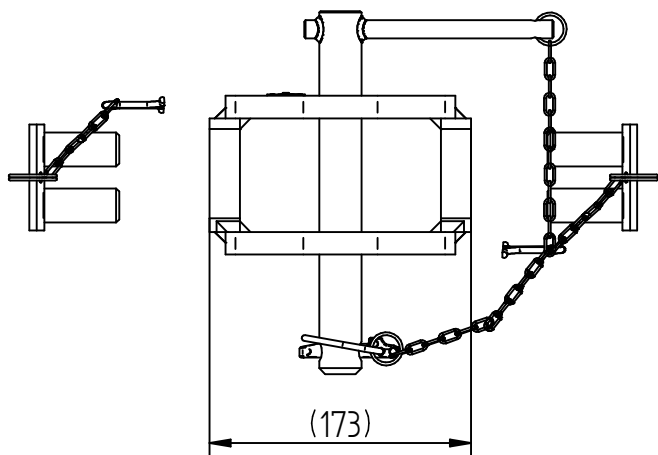


**Gancio manuale Matriosca
perno cilindrico Ø28**
**Manual coupling Matriosca
cylindrical pin Ø28**

| | |
|--|---|
| STANDARD DIMENSIONALI dimensional standards | CUNA 338.02 cat. C ; ISO 6489-5 shape x ; 2015/208 |
| NON GIREVOLE non-swivel |  |
| per OCCHIONI for draw-bar eyes | CUNA 438.06 cat. E3 ; ISO 5692-3 shape X |

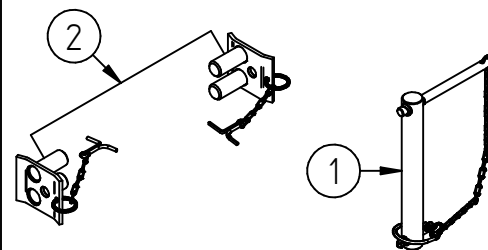
Dati tecnici - Technical data

| Modello - Model | Codice Article number | Valore Maximum Horizontal Load D- value | carico verticale static load daN | Omologazione Homologation | Peso Weight kg |
|--------------------|--------------------------|---|--|------------------------------|----------------------|
| MH 28-M | MH 28 MG9 | 51,2 | 1848 | e3*2015/208*2018/829ND*10021 | 6,5 |



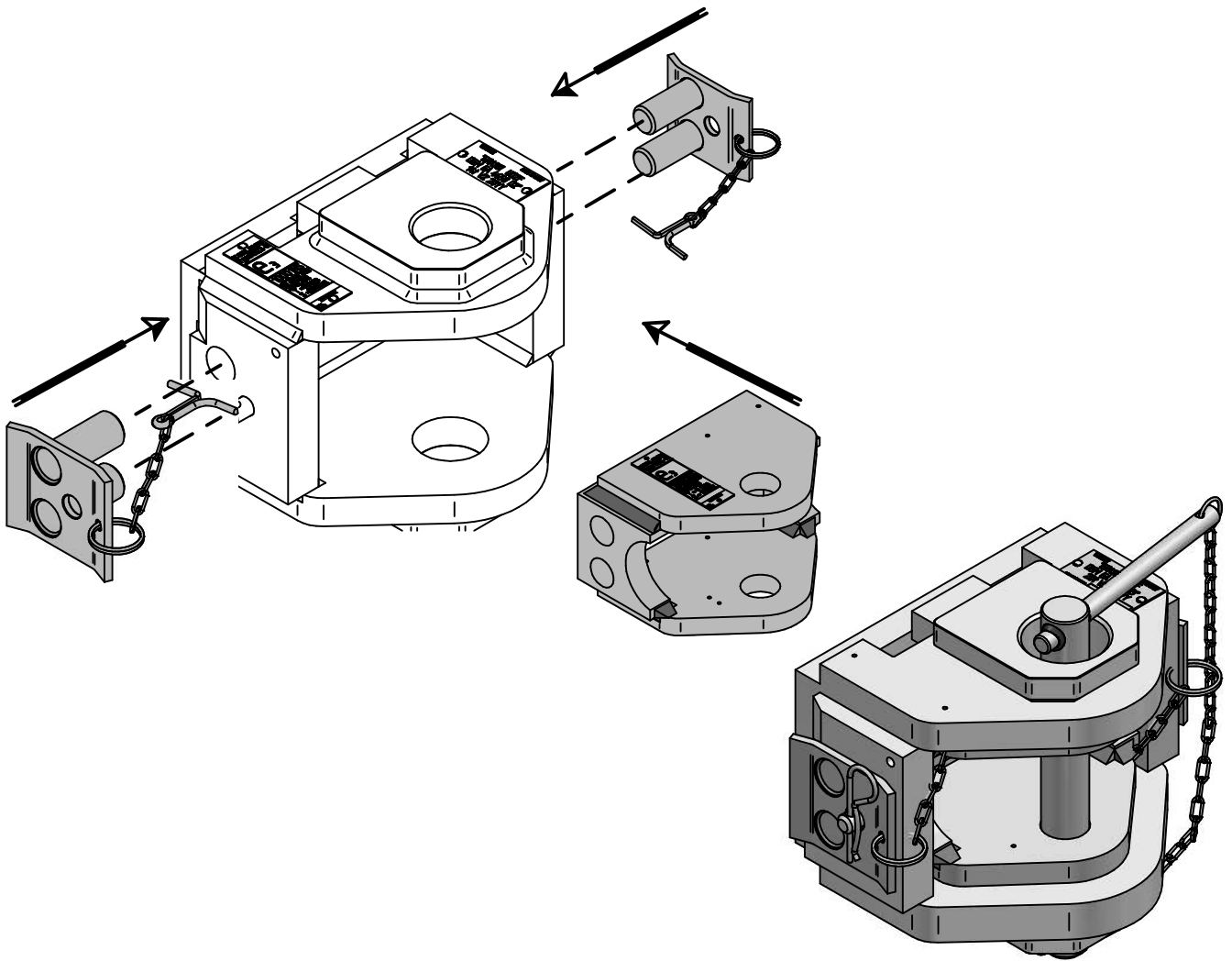
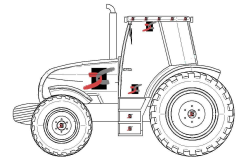
SISTEMA MATRIOSCA

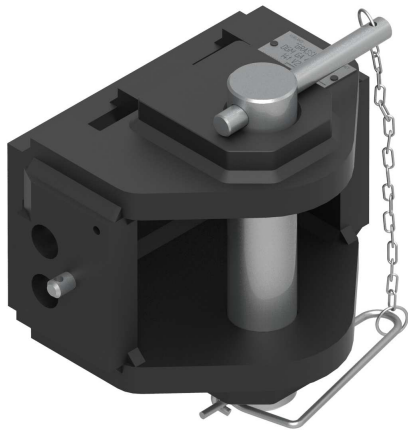
Ricambi - Spare parts



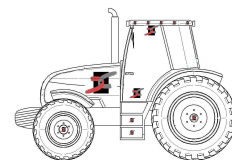
| POS. | Tutti i tipi All types | Part No MH 28 MG9 |
|------|---------------------------|----------------------|
| 1 | RA 00 056 | |
| 2 | RA 00 359 | |

Esempi di Applicazione del sistema Matriosca






MH43M

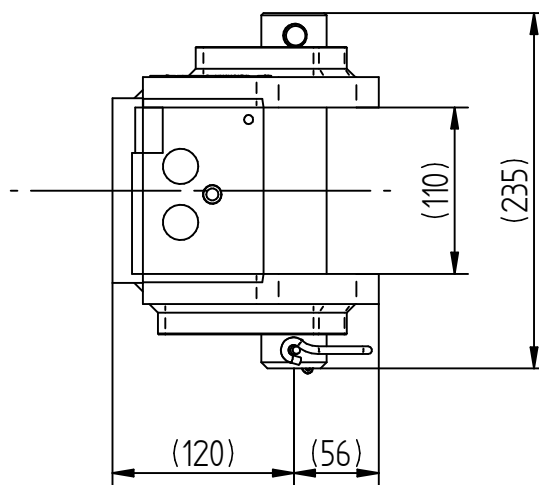
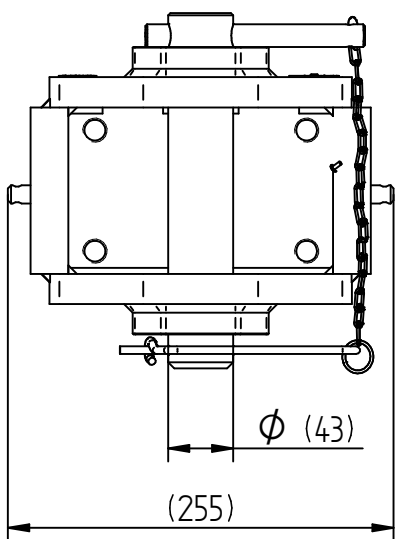


**Gancio manuale
perno cilindrico Ø43
Manual coupling
cylindrical pin Ø43**

| | |
|--|---|
| STANDARD DIMENSIONALI dimensional standards | CUNA 338.02 cat. D2 ; ISO 6489-5 shape y ; 2015/208 |
| NON GIREVOLE non-swivel |  |
| per OCCHIONI for draw-bar eyes | CUNA 438.06 cat. F2 ; ISO 5692-3 shape Y |

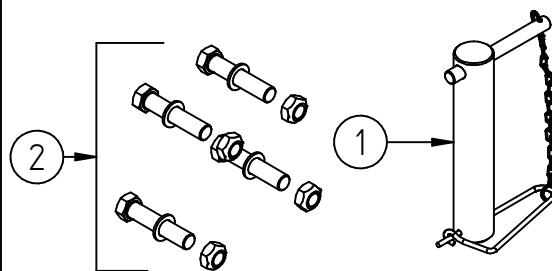
Dati tecnici - Technical data

| Modello Model | Codice Article number | Flangia Hole pattern mm | Viti di fissaggio Fixing screws | Tipo / Clevis Type ISO6849- 5 | massa rimorchiabile trailer mass t | carico verticale static load daN | Omologazione Homologation | Peso Weight kg |
|------------------|--------------------------|-------------------------------|------------------------------------|-------------------------------------|---|---|------------------------------|----------------------|
| MH43M | MH43 0 L4 | 140 X 80 | M16 | Y | 14 | 2000 | e3*2015/208*2018/829NS*10001 | 15,5 |
| MHD2-L4 | MHD2 0 L4 | | M16 | | 20 | | | |
| | MHD2 0 LC | | M20 | | 20 | | | |



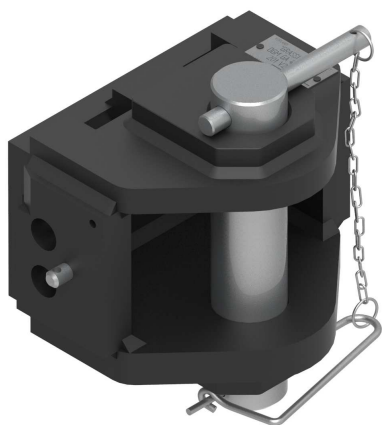
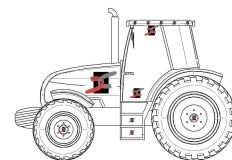
**COMPATIBILE CON
SISTEMA MATRIOSCA
SUITABLE WITH
MATRIOSCA SYSTEM**

Ricambi - Spare parts




| POS. | Tutti i tipi All types | Codice - Article number |
|------|---------------------------|-------------------------|
| 1 | RA 00 023 | |
| 2 | RA 00 033 | |

MH50M

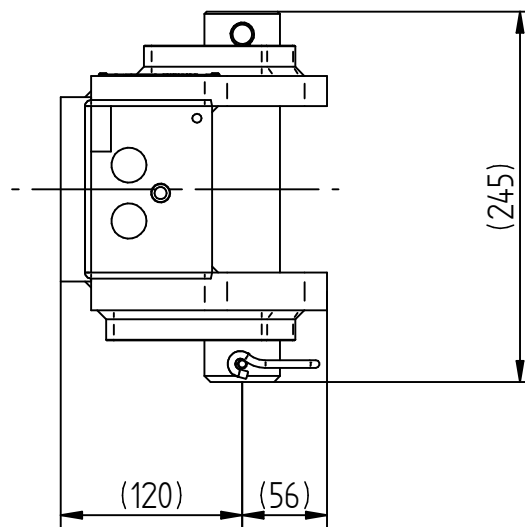
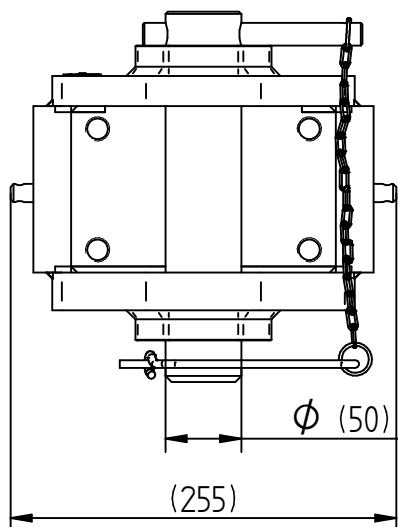


**Gancio manuale
perno cilindrico Ø50
Manual coupling
cylindrical pin Ø50**

| | |
|--|--|
| STANDARD DIMENSIONALI dimensional standards | CUNA 338.02 cat. D3 ; ISO 6489-5 shape z; 2015/208 |
| NON GIREVOLE non-swivel |  0° |
| per OCCHIONI for draw-bar eyes | CUNA 438.06 cat. F3 ; ISO 5692-3 shape Z |

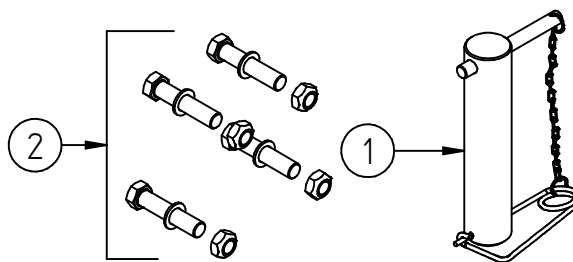
Dati tecnici - Technical data

| Modello Model | Codice Article number | Flangia Hole pattern mm | Viti di fissaggio Fixing screws | massa rimorchiabile trailer mass t | carico verticale static load daN | Omologazione Homologation | Peso Weight kg |
|------------------|--------------------------|-------------------------------|------------------------------------|---|--|------------------------------|----------------------|
| MH50M | MH50 0 M4 | 140 X 80 | M16 | 20 | 2500 | e3*2015/208*2018/829NS*10002 | 19,5 |

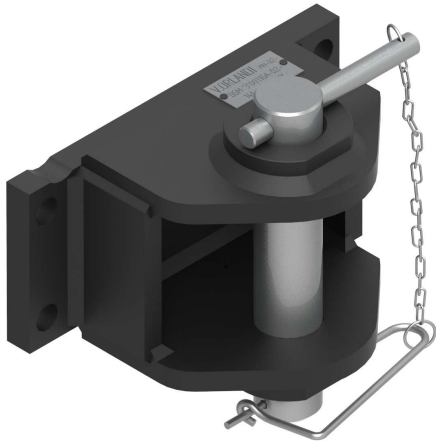


**COMPATIBILE CON
SISTEMA MARIOSCA
SUITABLE WITH
MARIOSCA SYSTEM**

Ricambi - Spare parts

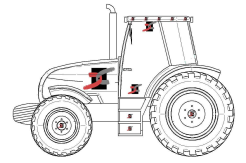



| POS. | Tutti i tipi All types | Codice - Article number |
|------|---------------------------|-------------------------|
| 1 | RA 00 024 | MH50 0 M4 |
| 2 | RA 00 033 | |



MH43

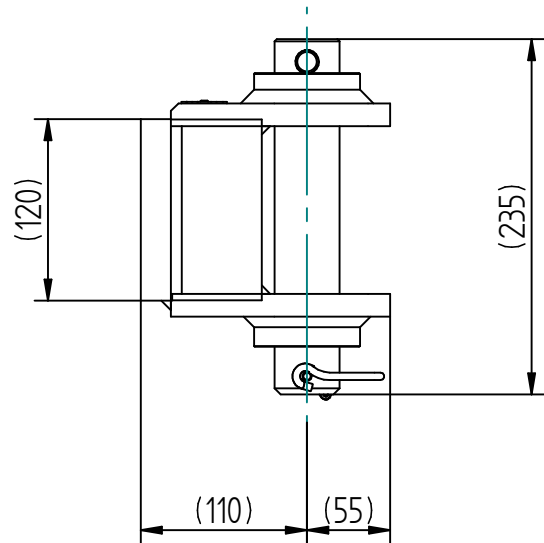
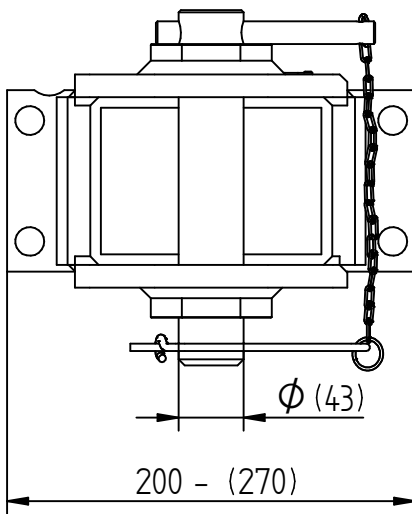
**Gancio manuale
perno cilindrico Ø43**
**Manual coupling
cylindrical pin Ø43**



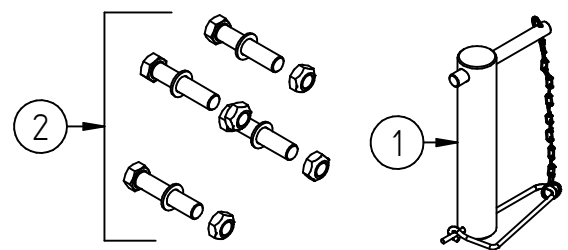
| | |
|--|---|
| STANDARD DIMENSIONALI dimensional standards | CUNA 338.02 cat. D2 ; ISO 6489-5 shape y ; 2015/208 |
| NON GIREVOLE non-swivel |  |
| per OCCHIONI for draw-bar eyes | CUNA 438.06 cat. F2 ; ISO 5692-3 shape Y |

Dati tecnici - Technical data

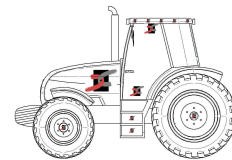
| Modello Model | Codice Article number | Flangia Hole pattern mm | Viti di fissaggio Fixing screws | massa rimorchiabile trailer mass t | carico verticale static load daN | Omologazione Homologation | Peso Weight kg |
|------------------|--------------------------|-------------------------------|------------------------------------|---|--|------------------------------|----------------------|
| MH43 | MH43 011 | 130 X 60 | M18 | 14 | 2000 | e3*2015/208*2018/829NS*30072 | 13 |
| | MH43 012 | 240 X 80 | M18 | 20 | 3000 | e3*2015/208*2018/829NS*10012 | 15,5 |



Ricambi - Spare parts

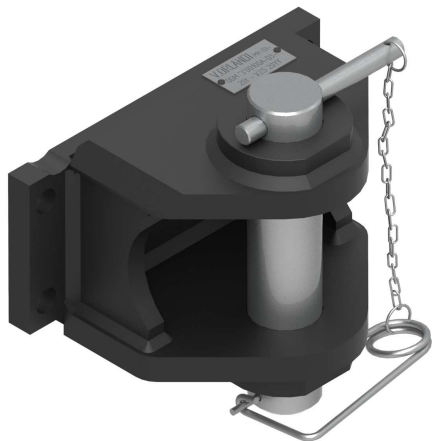



| POS. | Tutti i tipi All types | Codice - Article number | |
|------|---------------------------|-------------------------|----------|
| | | MH43 011 | MH43 012 |
| 1 | RA 00 023 | | |
| 2 | RA 00 040 | | |



MH50

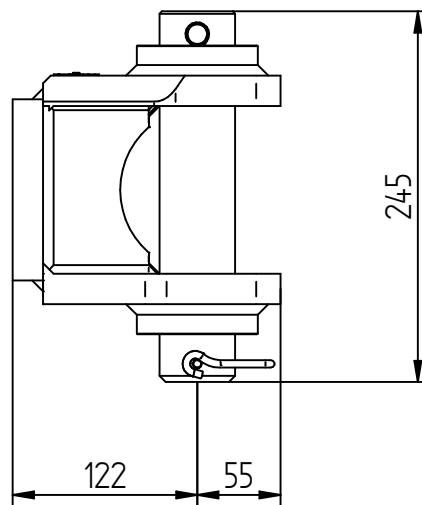
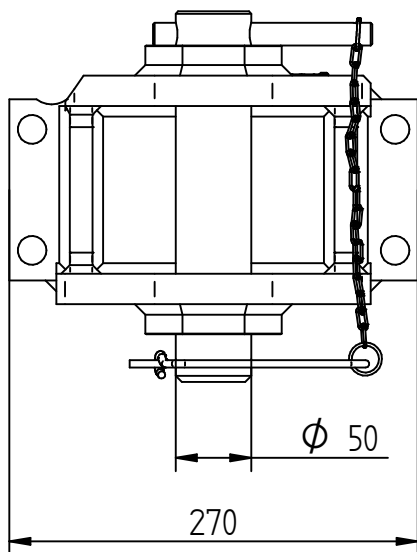
**Gancio manuale
perno cilindrico Ø50**
**Manual coupling
cylindrical pin Ø50**



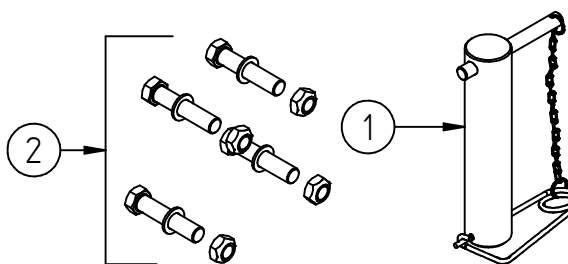
| | |
|--|---|
| STANDARD DIMENSIONALI dimensional standards | CUNA 338.02 cat. D3 ; ISO 6489-5 shape z; 2015/208 |
| NON GIREVOLE non-swivel |  |
| per OCCHIONI for draw-bar eyes | CUNA 438.06 cat. F3 ; ISO 5692-3 shape Z |

Dati tecnici - Technical data

| Modello Model | Codice Article number | Flangia Hole pattern mm | Viti di fissaggio Fixing screws | massa rimorchiabile trailer mass t | carico verticale static load daN | Omologazione Homologation | Peso Weight kg |
|------------------|--------------------------|-------------------------------|---------------------------------------|---|--|------------------------------|----------------------|
| MH50 | MH50 0 K2 | 240 X 80 | M18 | 30 | 3000 | e3*2015/208*2018/829NS*10014 | 19,5 |

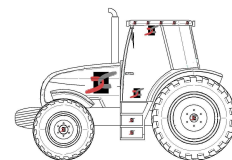


Ricambi - Spare parts



| POS. | Tutti i tipi All types | Part No MH 00 0K2 |
|------|---------------------------|----------------------|
| 1 | RA 00 024 | |
| 2 | RA 00 040 | |

MH43-6

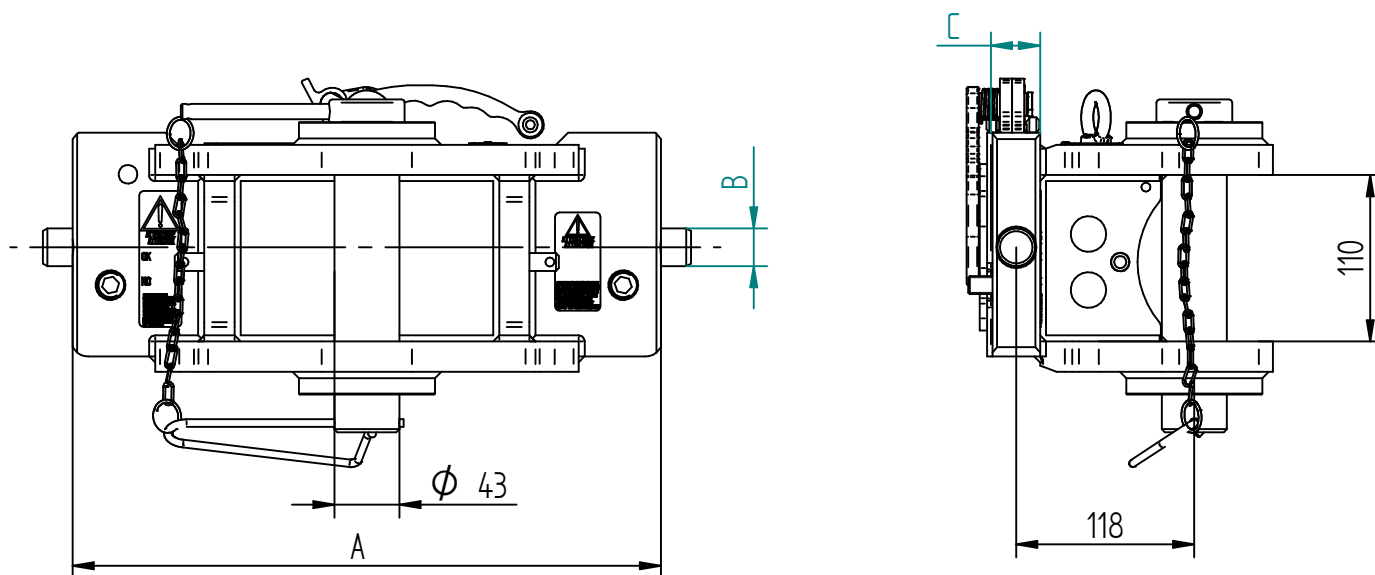


**Gancio manuale
perno cilindrico Ø43**
**Manual coupling
cylindrical pin Ø43**

| | |
|--|--|
| STANDARD DIMENSIONALI dimensional standards | CUNA 338.02 ; ISO 6489-5 shape y ; 2015/208 |
| NON GIREVOLE non-swivel | 0° |
| per OCCHIONI for draw-bar eyes | CUNA 438.06 cat. F3 ; ISO 5692-3 shape Y |



| Dati tecnici - Technical data | | | | | | |
|-------------------------------|--------------------------|---------------------------------------|---|--|------------------------------|----------------------|
| Modello Model | Codice Article number | Dimensione "A" "A" dimension mm | Valore Maximum Horizontal Load D- value | carico verticale static load daN | Omologazione Homologation | Peso Weight kg |
| MH43-6 | MH43 E L6 | 390-25-35 | 101,2 | 3000 | e3*2015/208*2018/829ND*10028 | 29 |
| | MH43 D L6 | 335-22-30 | 101,2 | 3000 | e3*2015/208*2018/829ND*10028 | 28,2 |
| | MH43 B L6 | 330-25-32 | 101,2 | 3000 | e3*2015/208*2018/829ND*10028 | 27,6 |
| | MH43 G L6 | 311-22-30 | 101,2 | 3000 | e3*2015/208*2018/829ND*10028 | 26,2 |

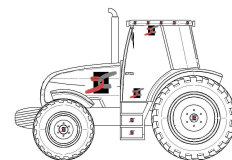


**COMPATIBILE CON
SISTEMA MARIOSCA
SUITABLE WITH
MARIOSCA SYSTEM**

Ricambi - Spare parts

| POS. | Tutti i tipi All types | Codice - Article number | | | |
|------|---------------------------|-------------------------|-----------|-----------|-----------|
| | | MH 43 EL6 | MH 43 DL6 | MH 43 BL6 | MH 43 GL6 |
| 1 | RA 00 384 | | | | |
| 2 | | RA 00 360 | RA 00 514 | RA 00515 | RA 00516 |
| 3 | | RA 00517 | RA 00517 | RA 00 517 | RA 00518 |
| 4 | | RA 00 217 | | | RA 00 217 |

MH50-6

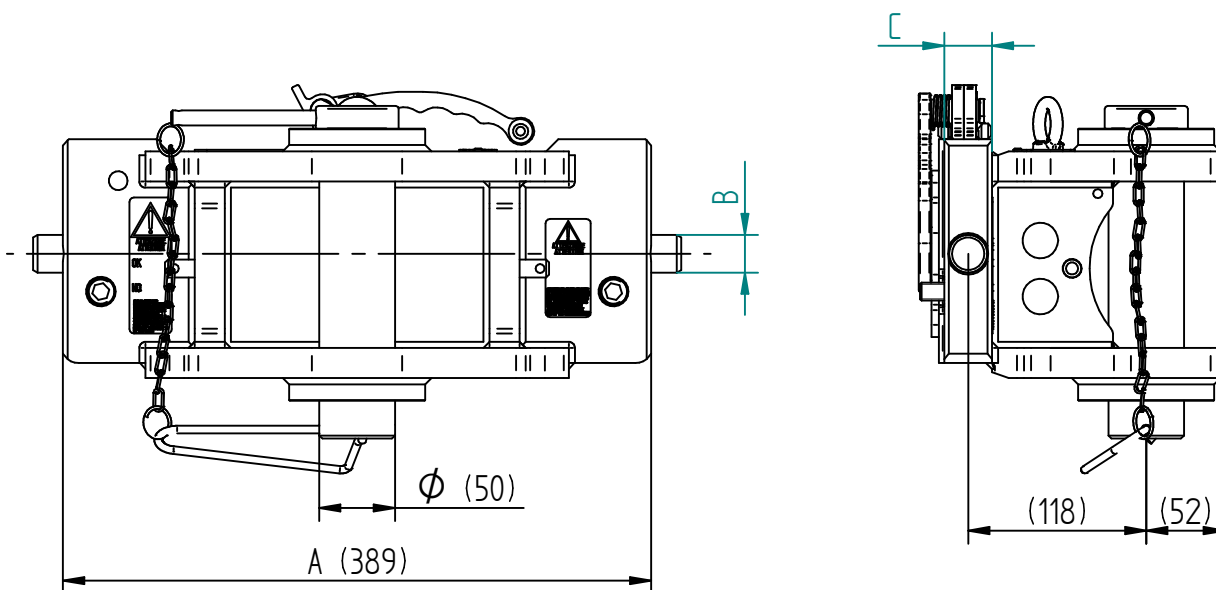


**Gancio manuale
perno cilindrico $\phi 50$
Manual coupling
cylindrical pin $\phi 50$**



| | |
|--|---|
| STANDARD DIMENSIONALI dimensional standards | CUNA 338.02 ; ISO 6489-5 shape z; 2015/208 |
| NON GIREVOLE non-swivel | 0° |
| per OCCHIONI for draw-bar eyes | CUNA 438.06 cat. F3 ; ISO 5692-3 shape Z |

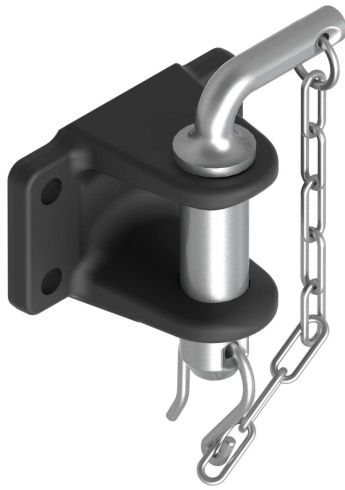
| Dati tecnici - Technical data | | | | | | |
|-------------------------------|--------------------------|---------------------------------------|---|--|------------------------------|----------------------|
| Modello Model | Codice Article number | Dimensione "A" "A" dimension mm | Valore Maximum Horizontal Load D- value | carico verticale static load daN | Omologazione Homologation | Peso Weight kg |
| MH50-6 | MH50 E M6 | 390-25-32 | 101,2 | 3000 | e3*2015/208*208/829ND*10029 | 30,5 |
| | MH50 D M6 | 335-22-30 | 101,2 | 3000 | e3*2015/208*208/829ND*10029 | 29,2 |
| | MH50 B M6 | 330-25-32 | 101,2 | 3000 | e3*2015/208*208/829ND*10029 | 28,5 |
| | MH50 G M6 | 311-22-30 | 101,2 | 3000 | e3*2015/208*208/829ND*10029 | 27,3 |



**COMPATIBILE CON
SISTEMA MARIOSCA
SUITABLE WITH
MARIOSCA SYSTEM**

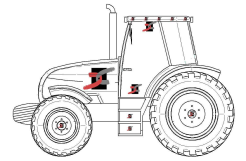
Ricambi - Spare parts


| POS. | Tutti i tipi All types | Codice - Article number | | | |
|------|---------------------------|-------------------------|-----------|-----------|-----------|
| | | MH 43 EL6 | MH 43 DL6 | MH 43 BL6 | MH 43 GL6 |
| 1 | RA 00 385 | | | | |
| 2 | | RA 00 360 | RA 00 514 | RA 00515 | RA 00516 |
| 3 | | RA 00517 | RA 00517 | RA 00 517 | RA 00518 |
| 4 | | RA 00 217 | | | RA 00 217 |



GM10

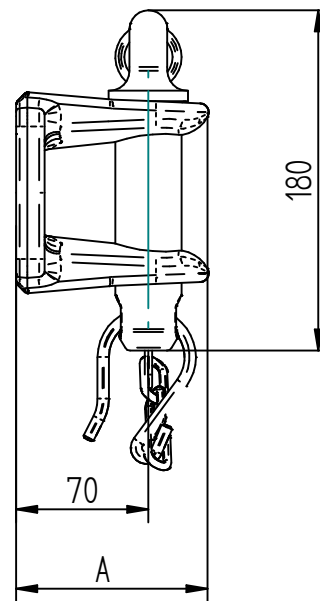
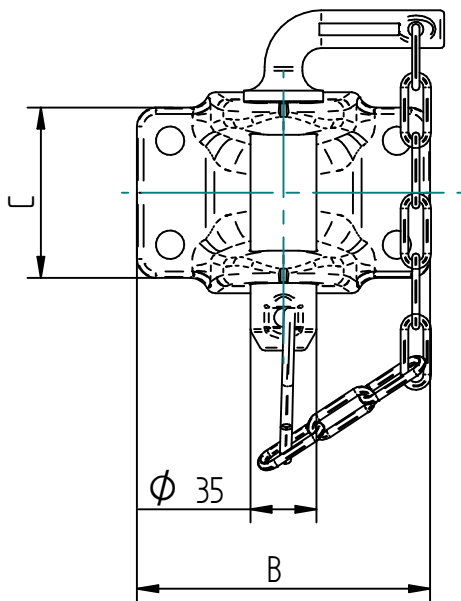
**Gancio di manovra
perno cilindrico
Manual coupling
cylindrical pin**



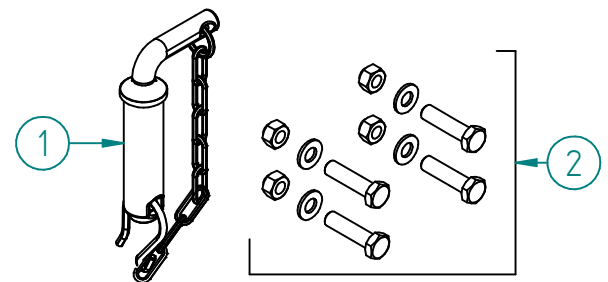
| | |
|--|---|
| STANDARD DIMENSIONALI dimensional standards | 2015/208 ANNEX XXIX |
| NON GIREVOLE non-swivel |  |
| per OCCHIONI for draw-bar eyes | 94/20/CE ; DIN 74054; ECE R55-01 |

Dati tecnici - Technical data

| Modello - Model | Codice Article number | Flangia Hole pattern mm | Viti di fissaggio Fixing screws | Dimensione "A" "A" dimension mm | Dimensione "B" "B" dimension mm | Dimensione "C" "C" dimension mm | massa rimorchiabile trailer mass t | peso motrice total weight of towing vehicle t | Peso Weight kg |
|-----------------|--------------------------|-------------------------------|------------------------------------|---------------------------------------|---------------------------------------|---------------------------------------|--|--|----------------------|
| GM10 | GM 103 00 | 120X55 | M14 | 102 | 155 | 90 | 25 | 50 | 4,2 |
| | GM 104 00 | 140X80 | M16 | 110 | 180 | 120 | 35 | 70 | 6 |
| | GM 105 00 | 160X100 | M20 | 110 | 200 | 140 | 50 | 120 | 7 |



Ricambi - Spare parts

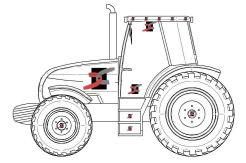



| POS. | Codice - Article number | | |
|------|-------------------------|-----------|-----------|
| | GM 103 00 | GM 104 00 | GM 105 00 |
| 1 | RG 00 219 | RG 00 219 | RG 00 219 |
| 2 | RG 00 130 | RG 00 131 | RG 00 132 |



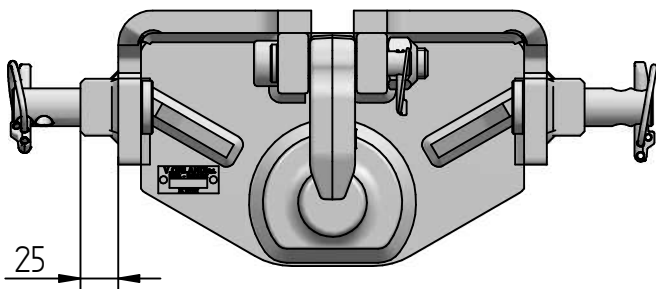
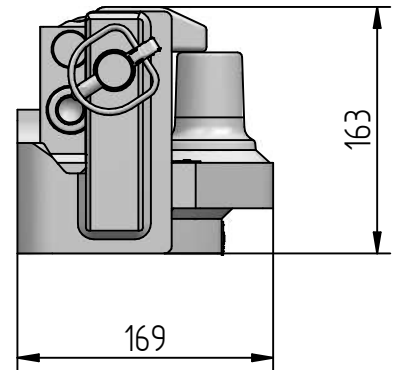
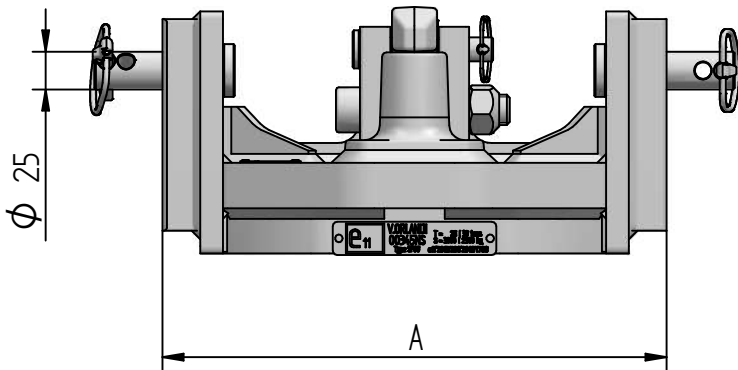
SPO0

Supporto scorrevole con piton fixe
Lift piton fixe support



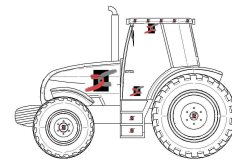
| | |
|--|--|
| STANDARD DIMENSIONALI dimensional standards | ISO 6489-4 ; 2013/8/CEE; 2015/208 |
| NON GIREVOLE non-swivel |  0° |
| per OCCHIONI for draw-bar eyes | Ø50 ISO 5692-1 ; ISO20019 |

| Dati tecnici - Technical data | | | | | | |
|-------------------------------|-----------------------|---------------------------------|----------------------------------|---|------------------------------|----------------|
| Modello - Model | Codice Article number | Dimensione "A" "A" dimension mm | Carico Verticale Static Load daN | Peso rimorchiabile Total trailer weight t | Omologazione Homologation | Peso Weight kg |
| SPO0 | SP 00 101 | 333-25-38 | 3000 | 20 | e3*2015/208*2018/829NS*30100 | 20 |
| | | | 2500 | 30 | | |
| | SP 00 201 | 320-25-38 | 3000 | 20 | e3*2015/208*2018/829NS*30100 | 20 |
| | | | 2500 | 30 | | |
| | SP 00 301 | 310-25-38 | 3000 | 20 | e3*2015/208*2018/829NS*30100 | 20 |
| | | | 2500 | 30 | | |



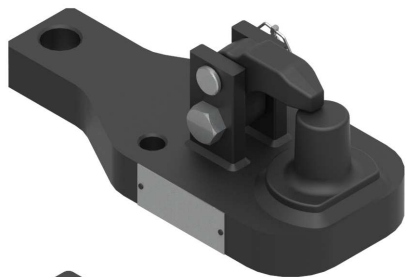
Ricambi - Spare parts

| POS. | Tutti i tipi All types |
|------|---------------------------|
| 1 | RA 00 065 |
| 2 | RA 00 271 |



SP45

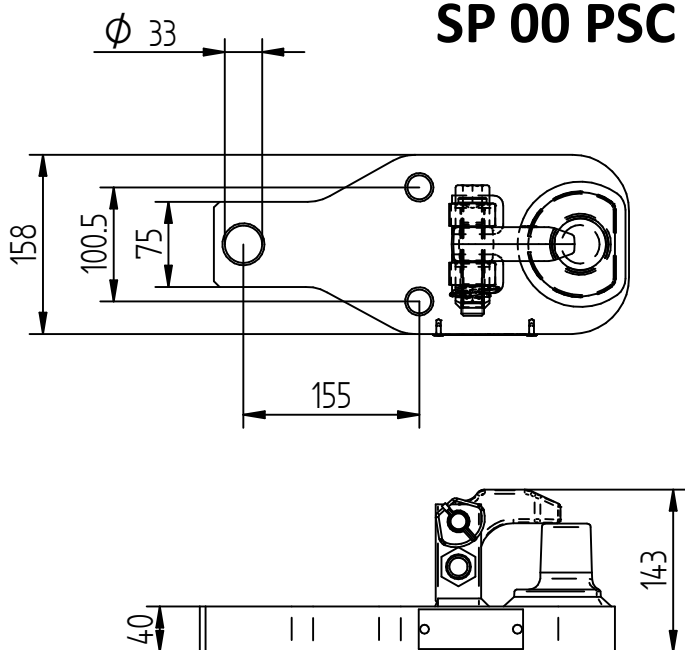
Supporto con piton fixe
Piton fixe support



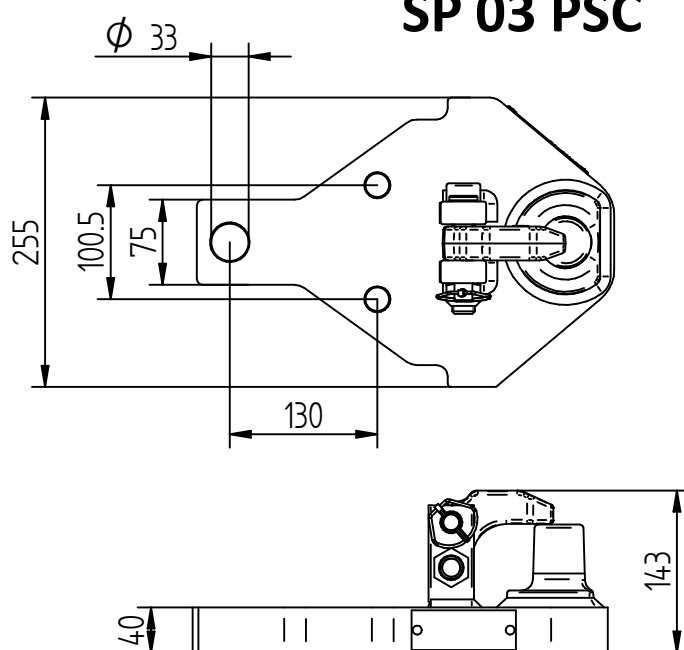
| | |
|--|-----------------------------------|
| STANDARD DIMENSIONALI dimensional standards | ISO 6489-4 ; 2013/8/CEE; 2015/208 |
| NON GIREVOLE non-swivel | 0° |
| per OCCHIONI for draw-bar eyes | Ø50 ISO 5692-1 ; ISO20019 |

| Dati tecnici - Technical data | | | | | | |
|-------------------------------|-----------------------|-------------------------|---------------------|-------------------|------------------------------|----------------|
| Modello - Model | Codice Article number | Flangia Hole pattern mm | Valore D D-Value kN | Massa S S-Load kg | Omologazione Homologation | Peso Weight kg |
| SP45 | SP 00 PSC | - | 70 | 2500 | e3*2015/208*2018/829ND*30088 | 17,5 |
| | SP 03 PSC | - | 70 | 2500 | e3*2015/208*2018/829ND*30088 | 22 |

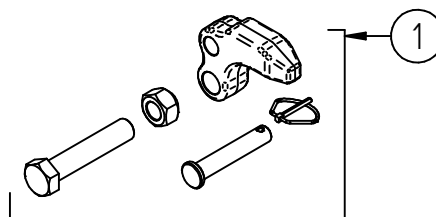
SP 00 PSC



SP 03 PSC

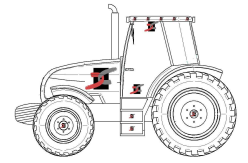


Ricambi - Spare parts




| POS. | Tutti i tipi All types |
|------|---------------------------|
| 1 | RA 00 065 |

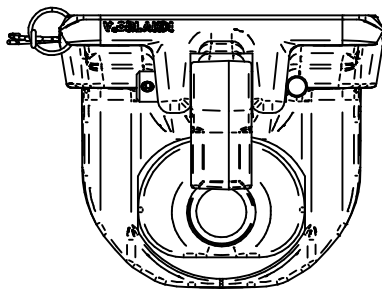
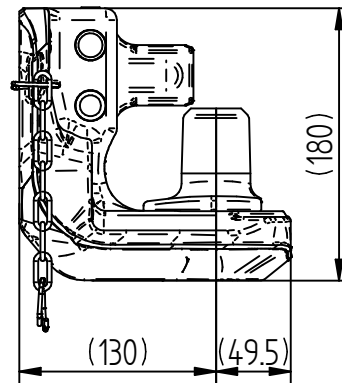
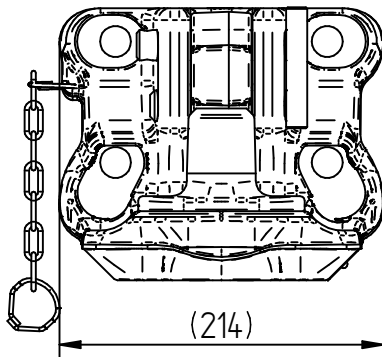
GP45



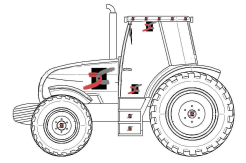
Gancio flangiabile con piton fixe
Flanged trailer coupling clevis type with piton fixe

| | |
|---|---|
| STANDARD DIMENSIONALI dimensional standards | ISO 6489-4 ; 2013/8/CEE;2015/208 |
| NON GIREVOLE non-swivel |  |
| per OCCHIONI for draw-bar eyes | Ø50 ISO 5692-1 ; ISO20019 |

| Dati tecnici - Technical data | | | | | | | |
|-------------------------------|-----------------------|-------------------------|---------------------------------|---------------------|-------------------|------------------------------|----------------|
| Modello - Model | Codice Article number | Flangia Hole pattern mm | Viti di fissaggio Fixing screws | Valore D D-Value kN | Massa S S-Load kg | Omologazione Homologation | Peso Weight kg |
| GP45 | GP 45 004 | 140X80 | M16 | 89,3 | 2000 | e1*2015/208*2018/829ND*00333 | 15 |
| | GP 45 00C | 140X80 | M20 | 89,3 | 3000 | e1*2015/208*2018/829ND*00333 | 15 |




GS80



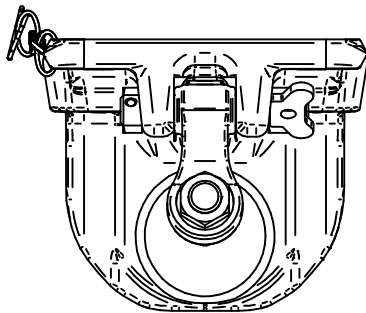
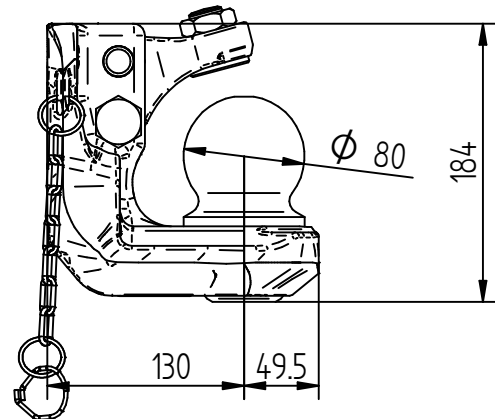
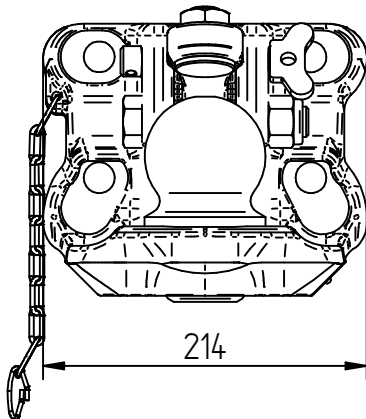
Gancio a sfera flangiabile
Flanged Sphere trailer coupling
clevis type



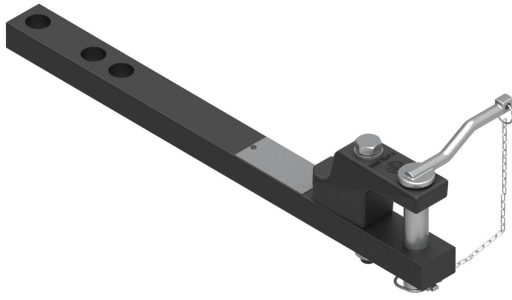
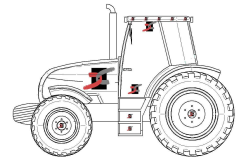
| | |
|---|--|
| STANDARD DIMENSIONALI dimensional standards | ISO 6489-4 ; 2013/8/CEE;2015/208 |
| NON GIREVOLE non-swivel |  0° |
| per OCCHIONI for draw-bar eyes | Ø80 ISO 24347 |

Dati tecnici - Technical data

| Modello - Model | Codice Article number | Flangia Hole pattern mm | Viti di fissaggio Fixing screws | Valore D D-Value kN | Massa S S-Load kg | Omologazione Homologation | Peso Weight kg |
|-----------------|-----------------------|-------------------------|---------------------------------|---------------------|-------------------|------------------------------|----------------|
| GS80 | GS 81 004 | 140X80 | M16 | 83,9 | 2000 | e1*2015/208*2018/829ND*00190 | 18 |
| | GS 80 004 | 140X80 | M20 | 83,9 | 3000 | | 18 |
| | | | | 97,1 | 2500 | | 18 |



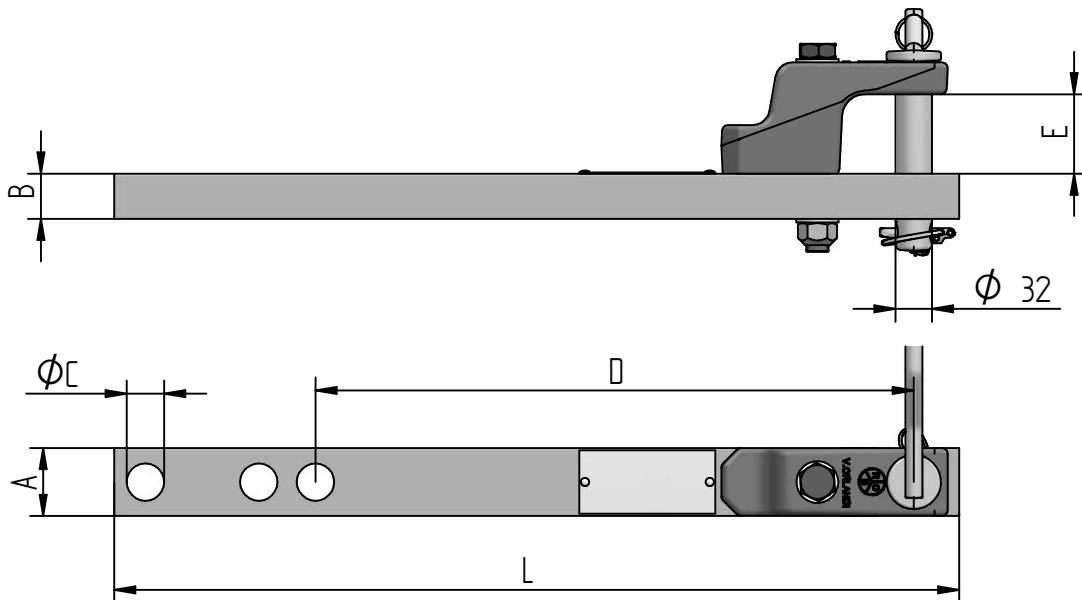
BT



Barra di traino CEE
perno cilindrico Ø 32 mm
CEE drawbar
cylindrical pin Ø 32 mm

| | |
|---|---|
| STANDARD DIMENSIONALI dimensional standards | ISO 6489-2 ; 2009/144/CEE; 2015/208 |
| GIREVOLE swivel | 0° |
| per OCCHIONI for draw-bar eyes | Ø 40/50 ISO 5692-2 ; ISO 8755 ; DIN 11026 ; DIN 11043 ; DIN 74054 |

| Dati tecnici - Technical data | | | | |
|-------------------------------|-----------------------|------------------------------------|----------------------------------|------------------------------|
| Modello - Model | Codice Article number | massa rimorchiabile trailer mass t | carico verticale static load daN | Omologazione Homologation |
| BT | BT 11 SDE | 6 | 500 | e3*2015/208*2018/829NS*10008 |
| | KY 50 SDB | 6 | 500 | e3*2015/208*2018/829NS*30071 |
| | KB 27 SDE | 12 | 800 | e3*2015/208*2018/892*30090NS |
| | KB 28 SDF | 13,5 | 1815 | e11*1569 (EG30) |
| | KB 00 SDP | 32 | 2000 | e3*2015/208*2018/829NS*30089 |
| | BT 13 SDE | 32 | 2000 | e5*2015/208*2018/829NS*01006 |
| | SL 52 SDA | 32 | 2000 | e11*2124 (SL03DB) |

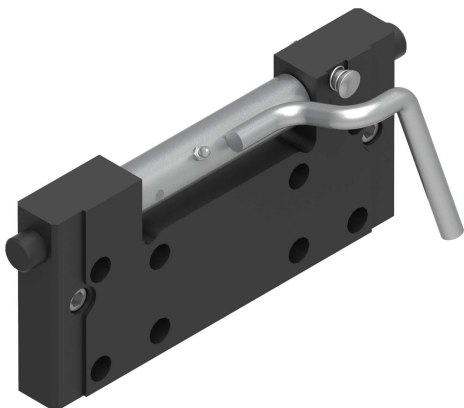
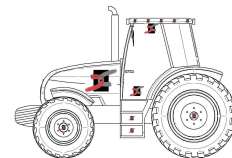


| DATI DIMENSIONALI - DIMENSIONAL DATA | | | | | | | |
|--------------------------------------|--------|--------|--------|---------|--------|--------|--|
| codice - code | A (mm) | B (mm) | L (mm) | ØC (mm) | D (mm) | E (mm) | |
| BT 11 SDE | 50 | 22 | 520 | 21 | 266 | 70 | |
| KY 50 SDB | 50 | 25 | 700 | 21 | 215 | 70 | |
| KB 27 SDE | 60 | 40 | 745 | 33 | 528 | 70 | |
| KB 28 SDF | 70 | 40 | 1206 | 30,5 | 963 | 80 | |
| KB 00 SDP | 80 | 40 | 546 | 33 | 470 | 65 | |
| BT 13 SDE | 80 | 40 | 735 | 33 | 660 | 65 | |
| SL 52 SDA | 80 | 40 | 1145 | 39 | 504 | 65 | |

Ricambi - Spare parts

| POS. | Tutti i tipi All types |
|------|---------------------------|
| 1 | RA 00 214 |


LB 40



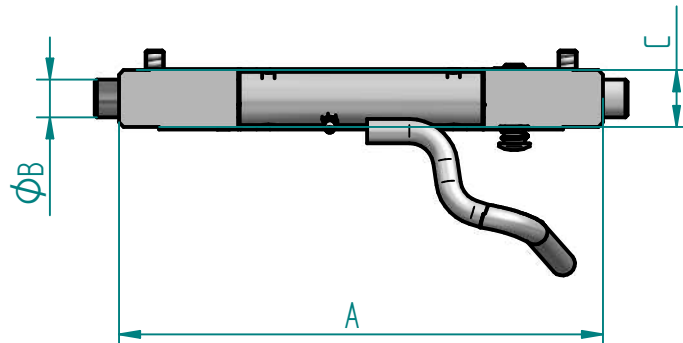
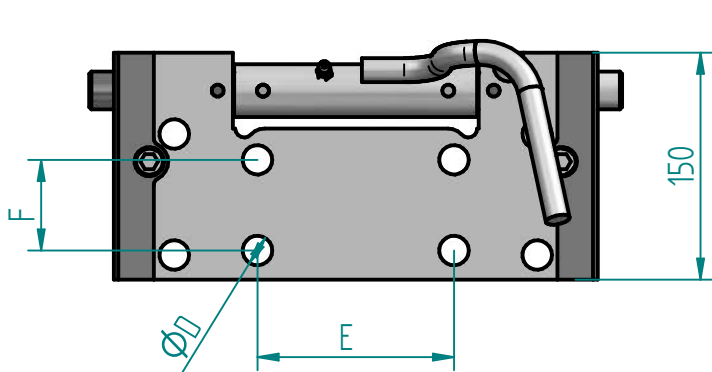
slitta scorrevole flangiata

Flanged lift bearing

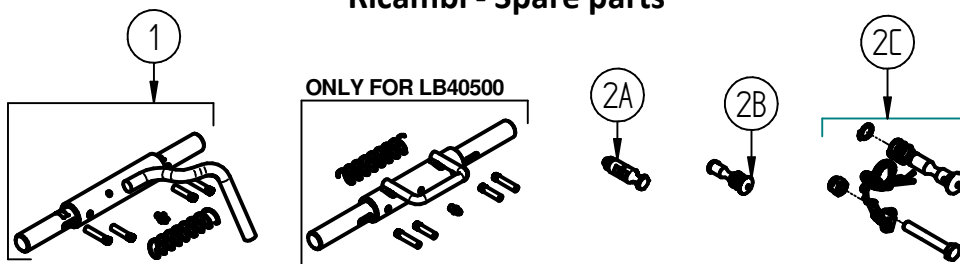
Hole Pattern **130x60 + 240x80**

| | |
|--|---|
| STANDARD DIMENSIONALI dimensional standards | |
| GIREVOLE swivel |  |
| | |

| Dati tecnici - Technical data | | | | | |
|-------------------------------|-----------------------|---|---------------------------------|-------------------------------------|----------------|
| Modello - Model | Codice Article number | Dimensione "A" "A x B x C" dimension mm | Flangia Hole pattern mm "E x F" | Viti di fissaggio Fixing screws "D" | Peso Weight kg |
| LB 40 | LB 40 500 | 260-25-38 | 130 X 60 and 240 X 80 | M18 | 10,3 |
| | LB 40 300 | 310-25-38 | | M18 | 12,8 |
| | LB 40 200 | 320-25-38 | | M18 | 13,2 |
| | LB 40 100 | 333-28-38 | | M18 | 13,5 |

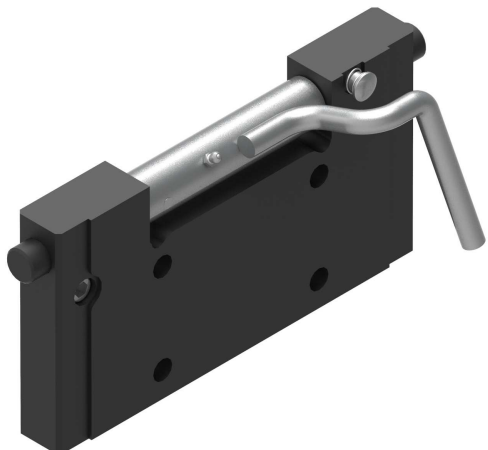
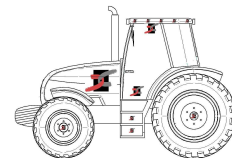


Ricambi - Spare parts



| POS. | Tutti i tipi All types | Codice - Article number | | | |
|------|------------------------|-------------------------|-----------|-----------|-----------|
| | | LB 40 100 | LB 40 200 | LB 40 300 | LB 40 500 |
| 1 | | RA 00 041 | RA 00 042 | RA 00 043 | RA 00 045 |
| 2A | RA 00 002 (UP TO 2016) | | | | |
| 2B | RA 00 270 (UP TO 2018) | | | | |
| 2C | | RA 00 471 | RA 00 471 | RA 00 471 | RA 00 505 |

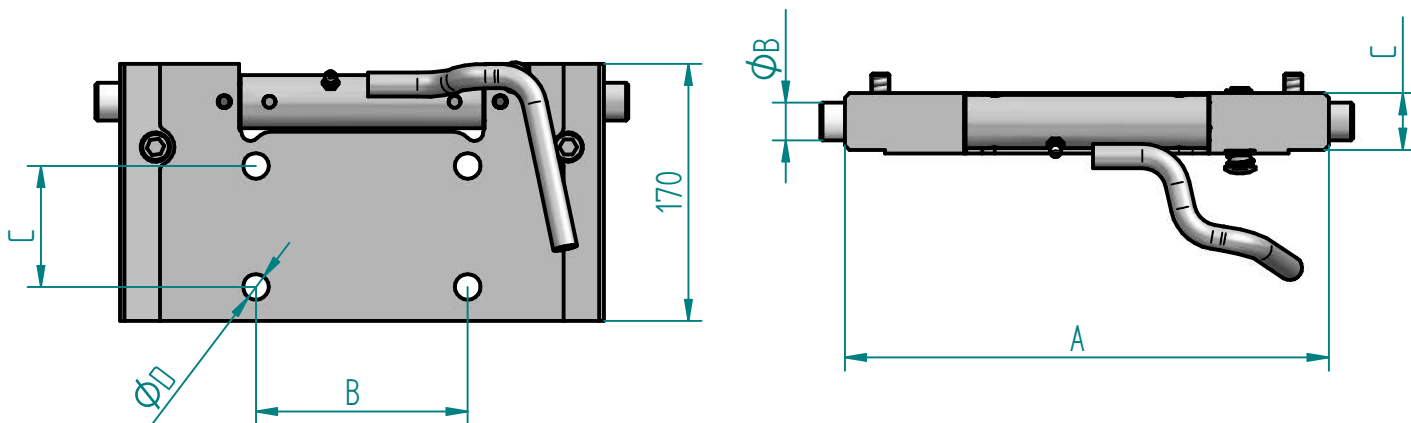
LB 41



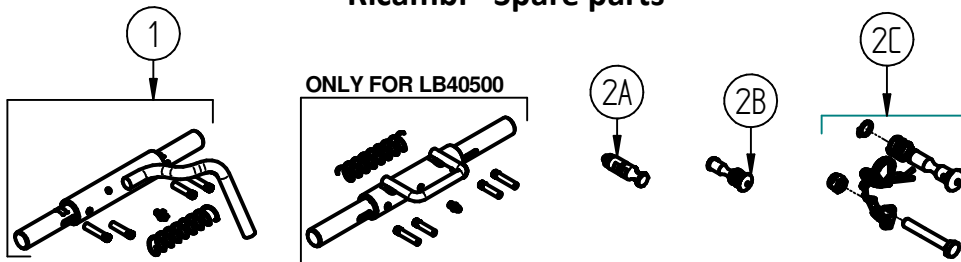
slitta scorrevole flangiata
 Flanged lift bearing
 Hole Pattern 140x80 (M16)

| | |
|--|--|
| STANDARD DIMENSIONALI dimensional standards | |
| GIREVOLE swivel | |

| Dati tecnici - Technical data | | | | | |
|-------------------------------|-----------------------|---------------------------|---------------------------------|-------------------------------------|----------------|
| Modello - Modell | Codice Article number | Dimensione "A x B x C" mm | Flangia Hole pattern "E x F" mm | Viti di fissaggio Fixing screws "D" | Peso Weight kg |
| LB 41 | LB 41 500 | 260-25-38 | 140 X 80 | M16 | 11 |
| | LB 41 300 | 310-25-38 | 140 X 80 | M16 | 13,8 |
| | LB 41 200 | 320-25-38 | 140 X 80 | M16 | 14,3 |
| | LB 41 100 | 333-25-38 | 140 X 80 | M16 | 15 |



Ricambi - Spare parts



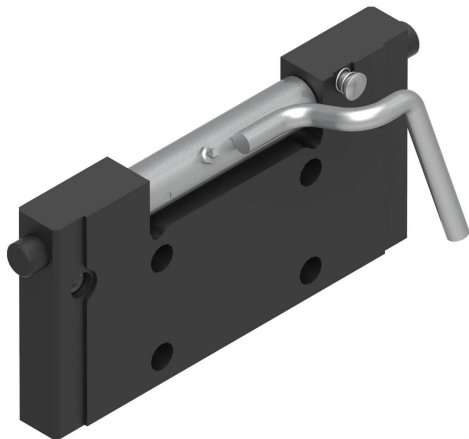
| POS. | Tutti i tipi All types | Codice - Article number | | | |
|------|------------------------|-------------------------|-----------|-----------|-----------|
| | | LB 40 100 | LB 40 200 | LB 40 300 | LB 40 500 |
| 1 | | RA 00 041 | RA 00 042 | RA 00 043 | RA 00 045 |
| 2A | RA 00 002 (UP TO 2016) | | | | |
| 2B | RA 00 270 (UP TO 2018) | | | | |
| 2C | | RA 00 471 | RA 00 471 | RA 00 471 | RA 00 505 |


LB 42

slitta scorrevole flangiata

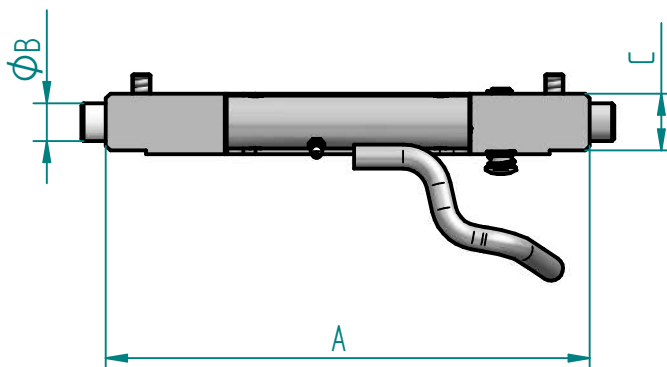
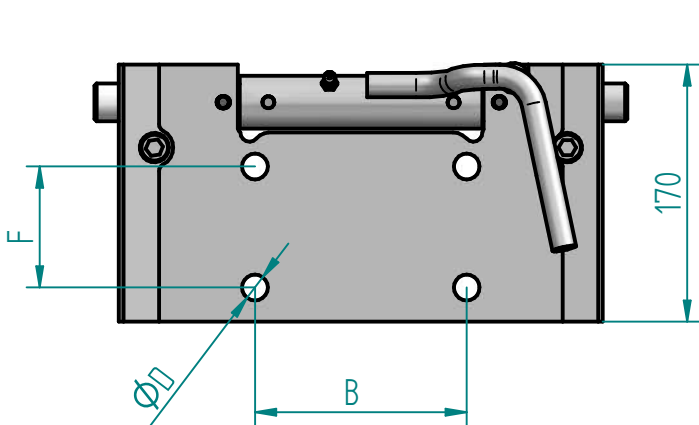
Flanged lift bearing

Hole Pattern 140x80 (M20)

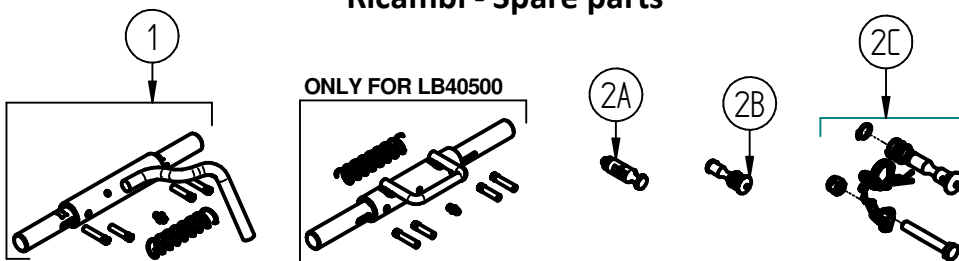


| | |
|--|---|
| STANDARD DIMENSIONALI dimensional standards | |
| GIREVOLE swivel |  |
| | |

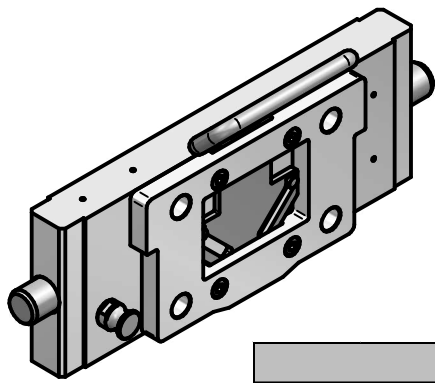
| Dati tecnici - Technical data | | | | | |
|-------------------------------|--------------------------|--|---|---|----------------------|
| Modello - Modell | Codice Article number | Larghezza Width "A x B x C" [mm] | Flangia Hole pattern "E x F" [mm] | Viti di fissaggio Fixing screws "D" | Peso Weight kg |
| LB 42 | LB 42 300 | 310-25-38 | 140 X 80 | M20 | 13,9 |
| | LB 42 200 | 320-25-38 | 140 X 80 | M20 | 14,4 |
| | LB 42 100 | 333-25-38 | 140 X 80 | M20 | 15,1 |



Ricambi - Spare parts



| POS. | Tutti i tipi All types | Codice - Article number | | | |
|------|---------------------------|-------------------------|-----------|-----------|-----------|
| | | LB 40 100 | LB 40 200 | LB 40 300 | LB 40 500 |
| 1 | | RA 00 041 | RA 00 042 | RA 00 043 | RA 00 045 |
| 2A | RA 00 002 (UP TO 2016) | | | | |
| 2B | RA 00 270 (UP TO 2018) | | | | |
| 2C | | RA 00 471 | RA 00 471 | RA 00 471 | RA 00 505 |

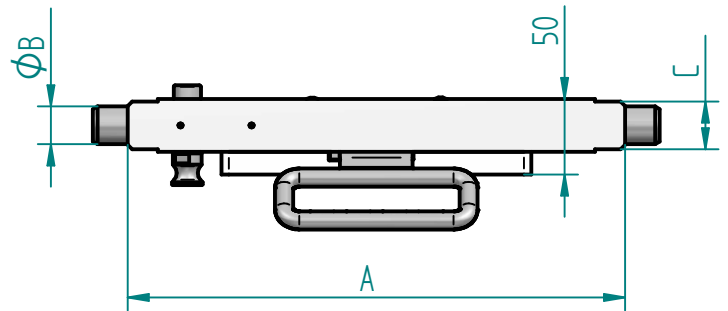
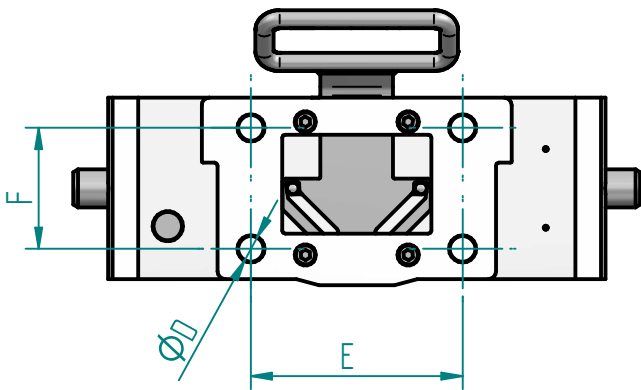


LB 32

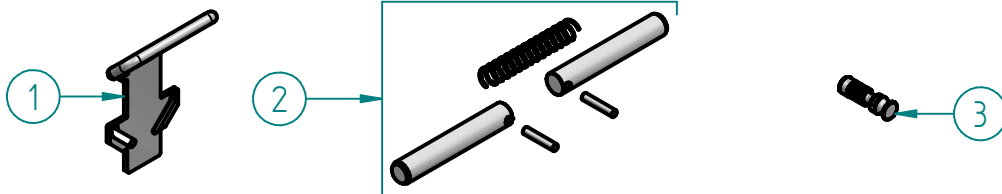
slitta scorrevole flangiata
Flanged lift bearing

Hole pattern 140x80 (M16 or M20)

| Dati tecnici - Technical data | | | | |
|-------------------------------|--------------------------|---------------------------------|---|---------------------------------------|
| Tipo Type | Codice Article number | Dimensione "A x B x C" mm | Foratura Hole pattern "E x F" mm | Viti di fissaggio Fixing Screw "D" |
| LB 32 | LB 32 F04 | 241-22-30 | 140 X 80 | M16 |
| | LB 32 G04 | 311-22-30 | 140 X 80 | M16 |
| | LB 3B G04 | 311-22-30 | 140 X 80 | M20 |
| | LB 32 B04 | 330-25-32 | 140 X 80 | M16 |
| | LB 3B B04 | 330-25-32 | 140 X 80 | M20 |
| | LB 3C D00 | 335-22-30 | 140 X 80 / 240 x 80 | M20/M18 |
| | LB 00 E04 | 390-25-32 | 140 X 80 / 240 x 80 | M16/M18 |
| | LB 0B E04 | 390-25-32 | 140 X 80 / 240 x 80 | M20/M18 |



Ricambi - Spare parts



| POS. | Tutti i tipi All types | Codice - Article number | | | | | | |
|------|---------------------------|-------------------------|-----------|-----------|-----------|-----------|-----------|-----------|
| | | LB 32 B04 | LB 32 G04 | LB 32 F04 | LB 3B B04 | LB 3B G04 | LB 3C D00 | LB00/LB0B |
| 1 | RA 00 135 | | | | | | | |
| 2 | RA 00 232 | RA 00 232 | RA 00 234 | RA 00 233 | RA 00 232 | RA 00 324 | RA 00 268 | RA 00360 |
| 3 | RA 00 217 | | | | | | | |

Technical parameters of towing systems

D-value: Theoretical load for the determination of the theoretical horizontal dynamic force between towing vehicle and steering axle trailer;

Dc-value: Theoretical load for the determination of the theoretical horizontal dynamic force between towing vehicle and central axle trailer;

V-value: Theoretical load for the determination of the theoretical vertical dynamic force between towing vehicle and central axle trailer of more than 3,5 tons weight;

S-value: Static vertical load transmitted to the coupling by central axle trailer in static conditions;

U-value: Vertical load transmitted to the fifth wheel by the semitrailer.

1 - Trailer couplings and drawbar eyes

1.1 - Steering axle trailers

Fig. 1



In this case the technical parameter is following:

$$D = g \times \frac{T \times R}{T + R}$$

where:

g = Gravitational acceleration; 9.81 m/s²;

T = Technically admissible maximum weight of towing vehicle in tons;

R = Technically admissible maximum weight of trailer in tons.

Examples of calculation

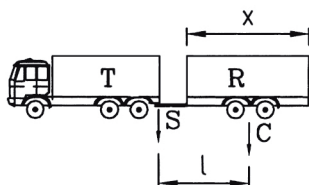
a) **T** = 18 ton; **R** = 26 ton $D = \frac{9.81 \times (18 \times 26)}{18 + 26} = 104.3 \text{ kN}$

b) **T** = 14 ton; **R** = 42 ton $D = \frac{9.81 \times (14 \times 42)}{14 + 42} = 103.1 \text{ kN}$

c) **T** = 30 ton; **R** = 50 ton $D = \frac{9.81 \times (30 \times 50)}{30 + 50} = 183.9 \text{ kN}$

1.2 - Central axle trailers

Fig. 2



In this case the technical parameter is following:

$$Dc = g \times \frac{T \times C}{T + C}$$

where:

T = Technically admissible maximum load of the towing vehicle in tons, including the static vertical load transmitted to the coupling by the drawbar eye;

C = Sum of the maximum axle loads transmitted to the ground by the trailer in tons.

$$V = a \times \frac{x^2}{l} \times C$$

where:

x = Length of the loading area in meters;

l = distance between the center of the hole of the drawbar eye and the center of the axles of the trailer in meters;

V = Dynamic vertical load in kN;

C = Sum of the maximum axial loads transmitted to the ground by the trailer in tons;

a = $1,8 \frac{m}{s^2}$ for vehicles with air suspensions or with a comparable suspension type;

a = $2,4 \frac{m}{s^2}$ for vehicle with other types of suspensions.

$$S = R - C$$

R = Technically admissible maximum weight of the trailer in tons.

Example of calculation

Towing vehicle with 20 tons weight and with air suspensions.
Central axle trailer with:

R = 20 ton **C** = 19 ton **S** = 1 ton **X** = 7.2 m **L** = 6 m

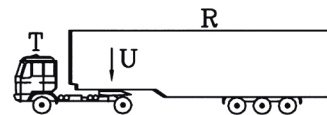
For the determination of the Dc-value the weight of the towing vehicle is calculated as follows:

T = 20 + **S** = 20 + 1 = 21 ton

and therefore

$$Dc = \frac{9.81 \times (21 \times 19)}{21 + 19} = 98 \text{ kN} \quad V = 1.8 \times \left(\frac{7.2}{6}\right)^2 \times 19 = 49.2 \text{ kN}$$

2 - Fifth wheels and kingpins



$$D = g \times \frac{0,6 \times T \times R}{T + R - U}$$

where:

T = Weight of the towing vehicle including the vertical load on the fifth wheel;

R = Weight of the semitrailer;

U = That part of the semitrailer weight which is directly transmitted to the fifth wheel.

Example of calculation

Towing vehicle alone, weight 7 tons

Trailer with **R** = 36 tons and **U** = 14 tons

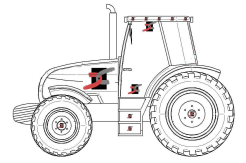
For the determination of the D-value the weight of the towing vehicle is calculated as follows:

T = 7 + **U** = 7 + 14 = 21 ton and therefore

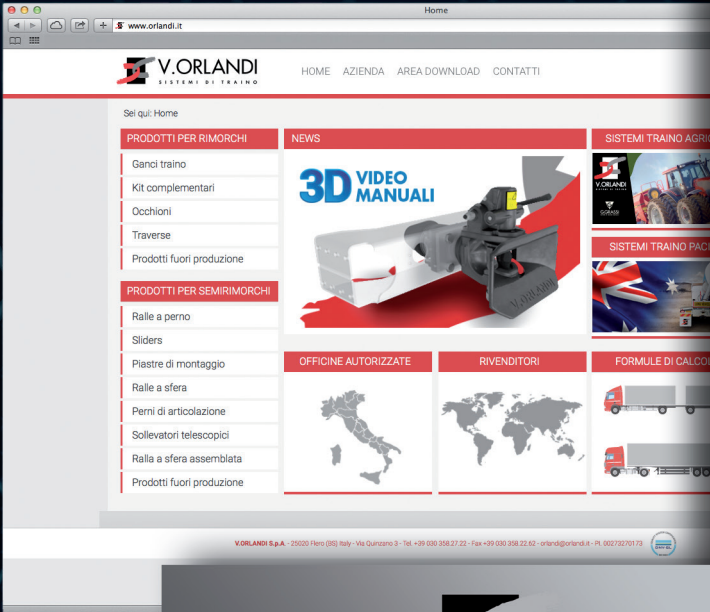
$$D = g \times \frac{0,6 \times 21 \times 36}{21 + 36 - 14} = 101 \text{ kN}$$

The towing systems homologated according to the directive 94/20/EC have to bear in the homologation plate the characteristic values (**D**, **Dc**, **S**, **V** and **U**) according to which they have been approved.

NOTE



www.orlandi.it



V.ORLANDI
TOWING SYSTEMS