

EH50

Automatic couplings

The V.ORLANDI EH50 series is a 50 mm automatic drawbar coupling which is designed for steering drawbar trailers. This coupling series is homologated according to ECE R55 or 94/20/CE standard and it is easy to handle and can be maintained very fast and cost efficient. All EH50 couplings can be adjusted with various sensor and remote options.



Technical data

Flange size	120 × 55 140 × 80 160 × 100 [mm]
D-Value	130 - 220 [kN]
Weight	37 - 41 [kg]
Homologation	ECE R55 or 94/20/CE (class C50-X)
Drawbar eye standard	DIN 74053; ECE R55 (class D)

Specs

- Oscillating Coupling
- Cast STEEL Bellmouth
- ± 95° steering angle and ± 30° vertical oscillation
- Could face rough roads and even off road
- Patented buffer system
- Low Maintenance
- Proved according to the latest ECE-R55
- Easily upgradable with manual or pneumatic remote opening system
- Fast Plug and Play connection with several sensor indicators
- Opening lever available either upwards or downwards

EH50

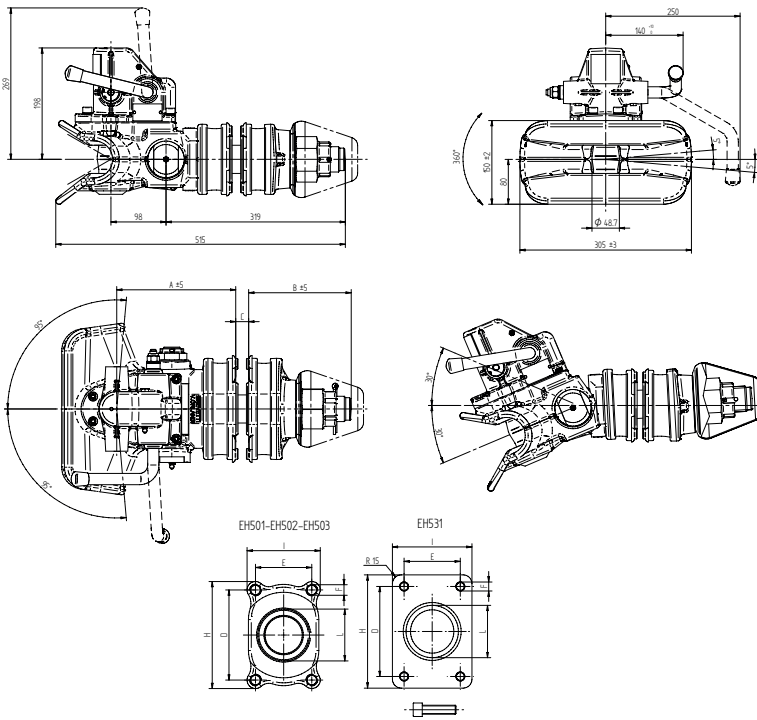
Automatic couplings



For drawbar eyes	∅ 50	ECE R55 94/20/CE
------------------	----------------	---------------------

Technical data

Part number	Hole pattern mm	D-Value kN	Weight kg	94/20/CE		ECE R55
				Class	Homologation	Homologation
EH503A0 EH503B0	120 × 55	130	37	C50-X	e3 0395	-
EH502A0 EH502B0	140 × 80	220	39	C50-X	e3 0394	-
EH501A0 EH501B0	160 × 100	220	39	C50-X		E3 01-3026
EH531A0 EH531B0	160 × 100	220	41	C50-X		E3 01-3026



Create your part number:

EH	XXX	X	X
Hole pattern		Version	
Action lever type			

Hole pattern

503 = 120 × 55 502 = 140 × 80
 501 = 160 × 100 531 = 160 × 100
 with screws

Action lever types

A = Short lever
 B = Long lever

Versions

0 = Standard
 1 = Standard + C001601
 6 = Standard + C001606
 7 = Standard + C001400

	A mm	B mm	C mm	F mm	H mm	I mm	L mm		A mm	B mm	C mm	F mm	H mm	I mm	L mm
EH503	210	170	35	∅ 14	164	118	∅ 74	EH501	212	168	35	∅ 19	190	130	∅ 92
EH502	212	168	35	∅ 19	190	130	∅ 84	EH531	215	165	35	M16	200	140	∅ 93

Lever type		Version				
A	B	1	6	7		
		in cab	in cab	out cab		