



# FW3510

## FW3510 SERIES

### SPECIFICATIONS



#### Fifth Wheel

65000 kg Gross Combination Weight

20000 kg Vertical Load

Type Approval e1\*94/20\*0812

D-Value 150 kN

#### FEATURES

- High strength cast steel construction - permitted operating temperature to - 40° C
- Top surface machined to improve wear, steering and fit with Trailer Plate. Patented grease groove pattern for improved wear and durability and prepared for central lubrication system
- Forged alloy steel locks with infinite adjustment
- Operating handle fitted with automatic secondary locking device, eliminating the need for a clip and chain  
Also available with optional long handle
- Suitable for all types of rear axle steering



#### WARNING

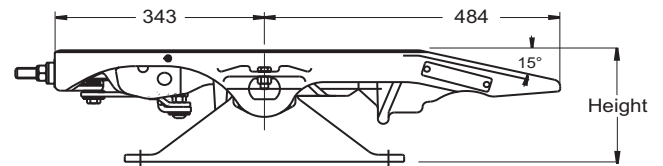
Mounting must be carried out in accordance with Holland instructions



#### WARNING

The load limits given are valid for operation on paved roads and under conditions prevailing in Europe. For alternative conditions please consult Holland

#### ISO BRACKET MOUNTING

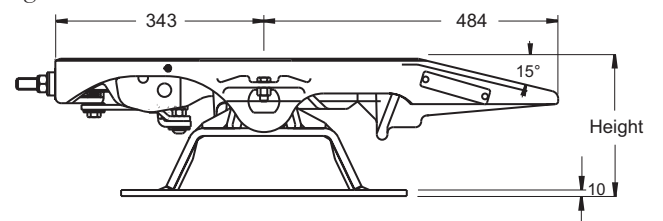


Part Number*	Height	Weight
FW3510-150	150mm	135 kg
FW3510-180	180mm	139 kg
FW3510-200	200mm	142 kg

\* add suffix -XL for version with long handle

#### WEIGHTSAVER MOUNTING

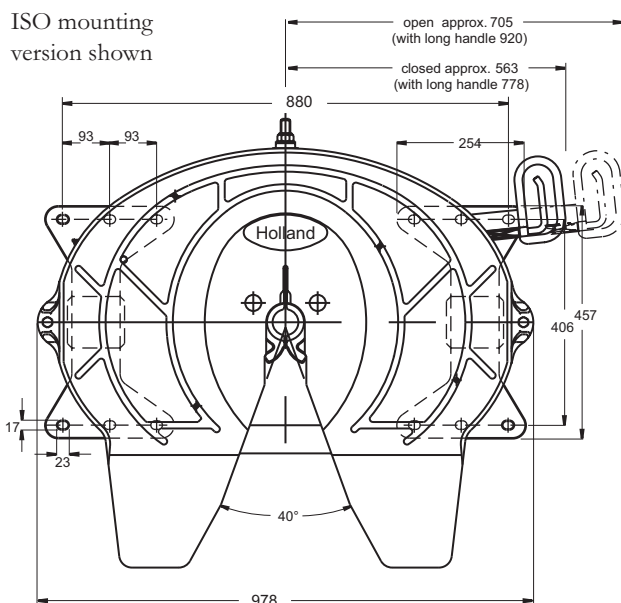
Combined mounting brackets and mounting plate resulting in weight reduction and easier installation



Part Number*	Height	Weight
FW3510-140	140mm	158 kg
FW3510-160	160mm	160 kg
FW3510-190	190mm	163 kg
FW3510-230	230mm	166 kg

\* add suffix -XL for version with long handle

ISO mounting version shown



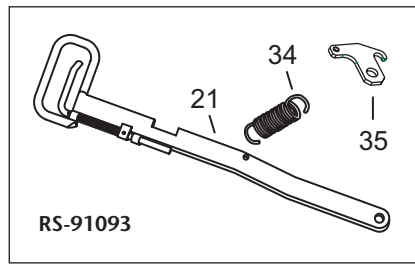
Holland reserves the right, without prior notice, to change specifications and dimensions

# FW3510 FIFTH WHEEL - SPARE PARTS

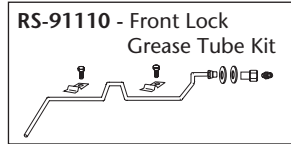
## POCKET INSERT

Used on all fifth wheels from February 2002 on

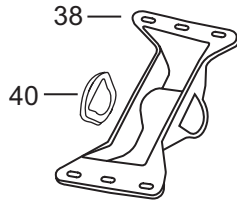
Note : Grease fitting item 32 not required on units fitted with pocket inserts



RS-91093

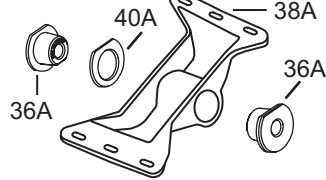


RS-91110 - Front Lock Grease Tube Kit

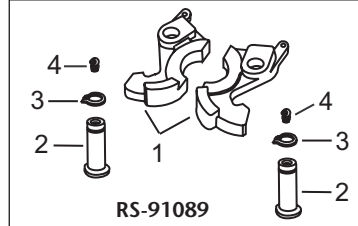
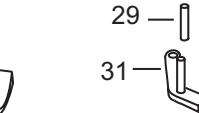
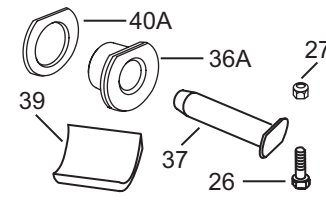


## LATER ISO BRACKET (180mm only)

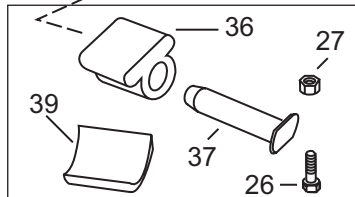
Used on all fifth wheels from June 2007 (approx.)



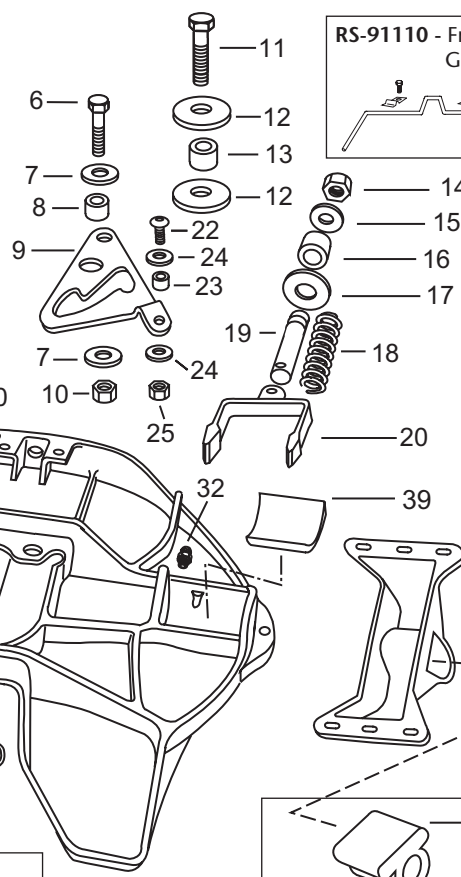
RS-91131-1 Cushion kit including Pocket Inserts (2 off each item except item 36A = 4 off)



RS-91089



RS-91086-1 Cushion kit including Pocket Inserts (2 off each item)  
RS-91086 Kit excludes Pocket Inserts



Item	Part No.	Qty	Description	Item	Part No.	Qty	Description	
1	* XA-07296-KTL	1	Lock Jaw Set	23	* XA-03082	1	Bushing	
2	* XA-07292-82	2	Lock Pin	24	* 33031	2	Washer	
3	* 38027	2	Retaining Ring	25	* 32001	1	Lock Nut	
4	* 38028	2	Grease Fitting	26	31041	2	Bolt	
5	* XB-07628-KTL	1	Extension Spring	27	32001	2	Locknut	
6	* 31039	1	Hex Head Cap Screw	28	XA-E-60234	2	Holder	
7	* XB-76004	2	Washer	29	* XB-21-S-500-2750	1	Roll Pin	
8	* XA-1029	1	Roller	30	* XB-2149-KTL	1	Torsion Spring	
9	* XA-07150-R-KTL	1	Camplate	31	* XA-3542-R-KTL	1	Secondary Lock	
10	* 32001	1	Locknut	32	* 38009	2	Grease Fitting (to Feb. 2002)	
11	* XB-CX-58-F-134	1	Hex Head Cap Screw	33	* XB-07610	1	Tag	
12	* XB-07431-KTL	2	Washer	34	* XB-05679-2	1	Extension Spring	
13	* XA-1507	1	Roller	35	* XA-09645-KTL	1	Spring Mount	
14	* XB-HNH-34-F	1	Locknut	36	XB-0011-3	2	Rubber Cushion	
15	* 33034	1	Washer	36A	XB-10605	4	Rubber Cushion (see 38A)	
16	* XB-1127	1	Rubber Washer	37	XE-06356-KTL	2	Bracket Pin	
17	* XB-02312	1	Lock Adjustment Tag	38	XD-04942-KTL	2	ISO Bracket - 150mm	
18	* XB-1505-KTL	1	Compression Spring		XD-04943-KTL	2	ISO Bracket - 180mm	
19	* XA-1706	1	Yoke Shaft		XD-04944-KTL	2	ISO Bracket - 200mm	
20	* XA-07295-KTL	1	Yoke		38A	XD-04943-S-KTL	2	ISO Bracket - 180mm (Later type - June 2007 on)
21	* XA-09437	1	Standard Handle	39	XB-10210	2	Pocket Insert (Feb. 2002 on)	
	XA-09752	1	Long Handle (not shown)	40	XB-60144	2	Rubber Washer (ISO brkt only)	
22	* 31040	1	Socket Head Screw	40A	XB-10605-RW	2	Rubber Washer (see 38A)	
* RK-3510-R			Full Overhaul Kit	RS-91131-1			Cushion Kit (see 38A)	
RS-91089			Lock Repair kit	RS-91093			Handle Kit complete	
RS-91086			Cushion Kit	RS-91098			Handle Kit (long handle)	
RS-91086-1			Cushion Kit with Pocket Inserts	RS-91110			Front Lock Grease Tube Kit	



**SAF-HOLLAND GmbH**  
Hauptstraße 26  
D-63856 Bessenbach, Germany  
Phone: +49 (0) 6095-301302  
Fax: +49 (0) 6095-301200

**HOLLAND EUROHITCH Ltd.**  
Hoo Farm Ind. Est. Worcester Rd.  
Kidderminster, Worcs. DY11 7RA, UK  
Phone: +44 (0) 1562-732010  
Fax: +44 (0) 1562-732020

**HOLLAND EUROPE GmbH**  
Altenkamp 9, D-33758  
Schloss Holte-Stukenbrock, Germany  
Phone: +49 (0) 5207-89560  
Fax: +49 (0) 5207-895656