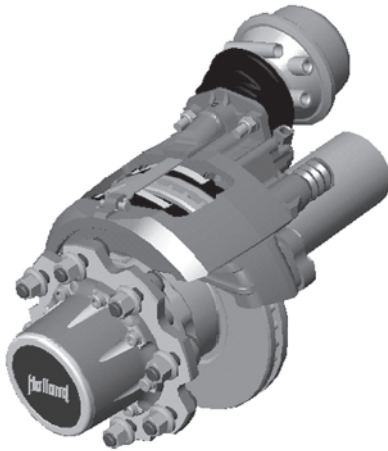




HDC AXLE

HDC SERIES AXLE SPECIFICATIONS

NOTE : Product Discontinued - for spare parts information only



Disc Brake Trailer Axle

9 tonne Axle Capacity
For 19.5" and 22.5" Wheel Rim Applications
Single or Twin Wheels



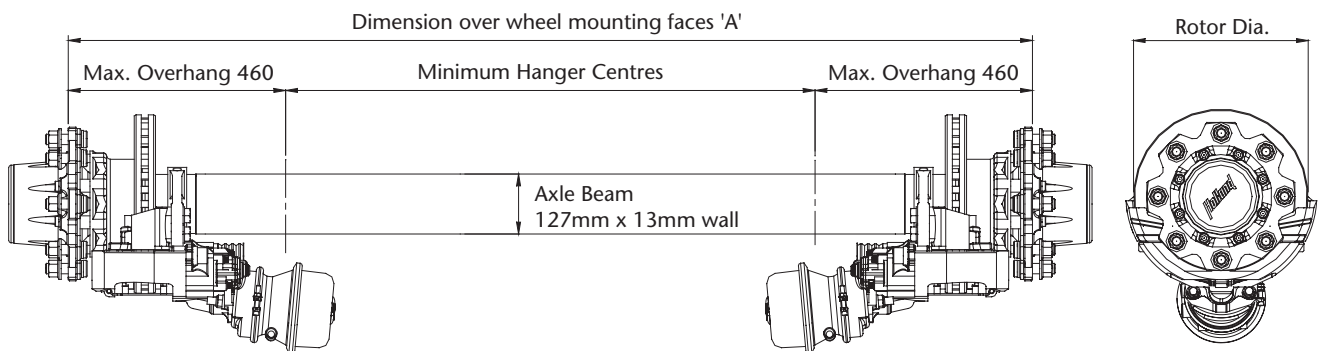
WARNING

The load limits given are valid for operation on paved roads and under conditions prevailing in Europe. For alternative conditions please consult Holland

FEATURES

- One piece, sealed for life, cartridge bearing
- Hub to suit ISO spigot wheel fixings, single steel or aluminium wheels, or twin steel wheels
- Internally mounted ABS, protected from the operating environment available on all axles
- Knorr SB6 (for 380mm rotor) or SB7 (for 430mm rotor) brake caliper to standard European specification
- Rotor diameter 430mm for 22.5" wheel rims or 380mm for 19.5" wheel rims
- Positive location push fit hub cap - no bolts or special tools required to install or remove

AXLE SPECIFICATIONS



| Axle Type | Wheel Type | Brake Type | Rotor Diameter | Dim. 'A' Over Hubs | Hanger Centres | |
|-----------------------|--------------|------------|----------------|--------------------|----------------|------|
| | | | | | Max. | Min. |
| HDC 090 380 8 T 1820 | Twin 19.5" | SB6 | 380 | 1820 | 1030 | 900 |
| HDC 090 380 8 T 1890 | 8 stud | SB6 | 380 | 1890 | 1100 | 970 |
| HDC 090 380 8 * 2040 | Single 19.5" | SB6 | 380 | 2040 | 1250 | 1120 |
| HDC 090 380 8 * 2100 | 8 stud | SB6 | 380 | 2100 | 1310 | 1180 |
| HDC 090 430 10 * 2040 | Single 22.5" | SB7 | 430 | 2040 | 1250 | 1120 |
| HDC 090 430 10 * 2100 | 10 stud | SB7 | 430 | 2100 | 1310 | 1180 |

* Available in single steel wheel or single aluminium wheel configuration
S = Single Steel Wheel SA = Single Aluminium Wheel

Holland reserves the right, without prior notice, to change specifications and dimensions

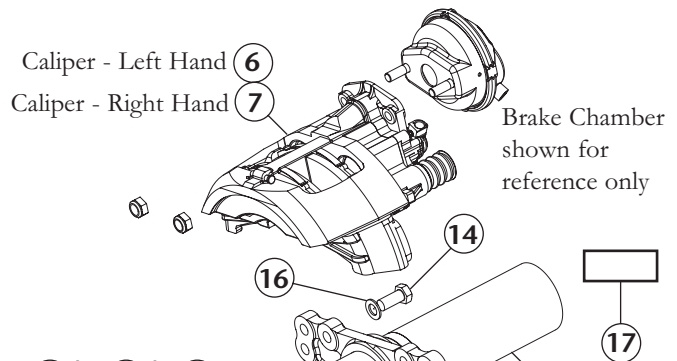
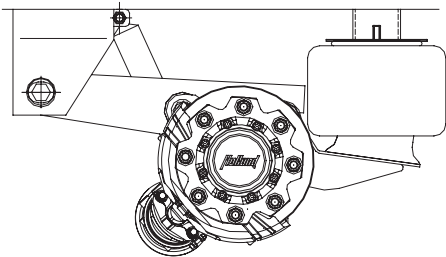
HDC SERIES AXLE IDENTIFICATION

HDC-090-380-8-T-1820-A

| Axle Type | |
|-------------------|-----|
| Axle Capacity | |
| 9000 Kg | 090 |
| Rotor Diameter | |
| 380 mm | 380 |
| 430 mm | 430 |
| Wheel Studs - No. | |
| 8 studs | 8 |
| 10 studs | 10 |

| Fitted for ABS | |
|------------------------|-------|
| No | Blank |
| Yes | A |
| Dim. Over Hubs 'A' | |
| Actual Dimension in mm | |
| Wheel Studs - Type | |
| Single Steel | S |
| Twin Steel | T |
| Single Aluminium | SA |

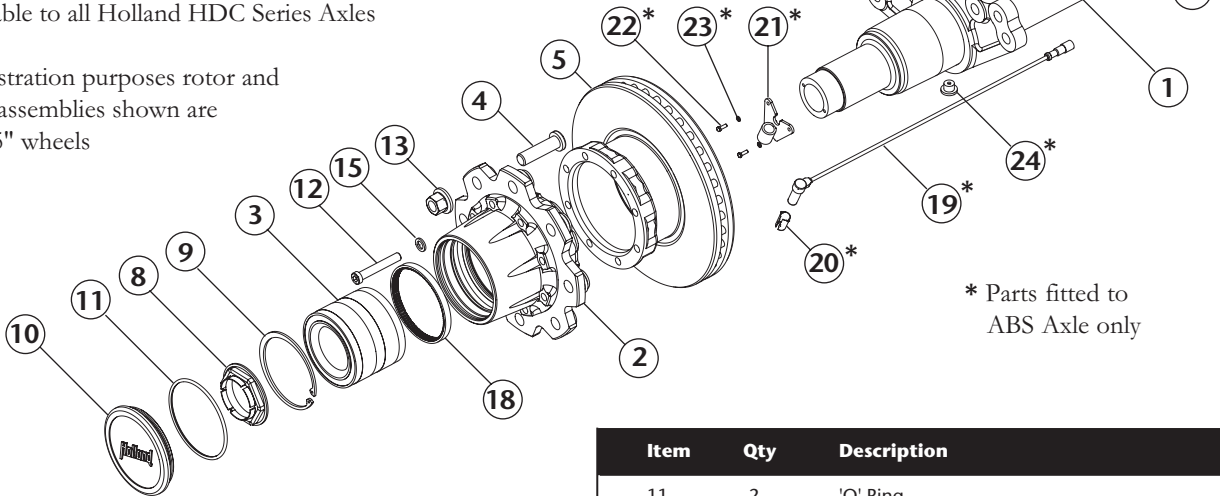
BRAKE ORIENTATION



COMPONENT IDENTIFICATION

Applicable to all Holland HDC Series Axles

For illustration purposes rotor and caliper assemblies shown are for 19.5" wheels



* Parts fitted to ABS Axle only

| Item | Qty | Description |
|------|-------|-------------------------------------|
| 1 | 1 | Axle Beam and Torque Plate Assembly |
| 2 | 2 | Hub |
| 3 | 2 | Bearing |
| 4 | 16/20 | Wheel Stud |
| 5 | 2 | Rotor |
| 6 | 1 | Calliper - Left Hand |
| 7 | 1 | Calliper - Right Hand |
| 8 | 2 | Axle Nut |
| 9 | 2 | Circlip |
| 10 | 2 | Hubcap |

| Item | Qty | Description |
|------|-------|-----------------------|
| 11 | 2 | 'O' Ring |
| 12 | 16/20 | Hub Rotor Bolts - M16 |
| 13 | 16/20 | Wheel Nuts |
| 14 | 12 | Calliper Bolts - M20 |
| 15 | 16/20 | Washer - M14 |
| 16 | 12 | Washer - M20 |
| 17 | 1 | Serial Number Plate |
| 18 | 2 | Tone Ring |
| 19 * | 2 | Sensor |
| 20 * | 2 | Sensor Bush |
| 21 * | 2 | ABS Bracket |
| 22 * | 4 | Fasteners |
| 23 * | 4 | Lock Washers |
| 24 * | 2 | Cable Plug |

Note: When ordering spare parts please confirm axle type and order by item number



SAF-HOLLAND GmbH
Hauptstraße 26
D-63856 Bessenbach, Germany
Phone: +49 (0) 6095-301302
Fax: +49 (0) 6095-301200

HOLLAND EUROHITCH Ltd.
Hoo Farm Ind. Est. Worcester Rd.
Kidderminster, Worcs. DY11 7RA, UK
Phone: +44 (0) 1562-732010
Fax: +44 (0) 1562-732020

HOLLAND EUROPE GmbH
Altenkamp 9, D-33758
Schloss Holte-Stukenbrock, Germany
Phone: +49 (0) 5207-89560
Fax: +49 (0) 5207-895656