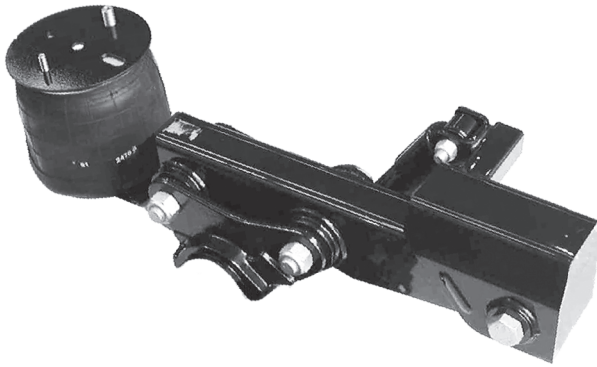




NSE 90

NSE 90 SERIES SPECIFICATIONS

**NOTE : Product Discontinued - for
spare parts information only**



Trailer Air Suspension

9 tonne Axle Capacity - Inline Airspring
Overslung Beam

290 - 430mm Ride Height with 127mm Axle
300 - 440mm Ride Height with 146mm Axle

FEATURES

- Two bush axle connection controls axle movement and reduces axle stress giving unsurpassed roll stability and optimum tyre life
- **EZ-ALIGN™** front pivot connection provides positive alignment and easy serviceability
- Rigid trailing arm design extends brake and tyre life through better load equalization



WARNING

Mounting must be carried out in accordance with Holland instructions

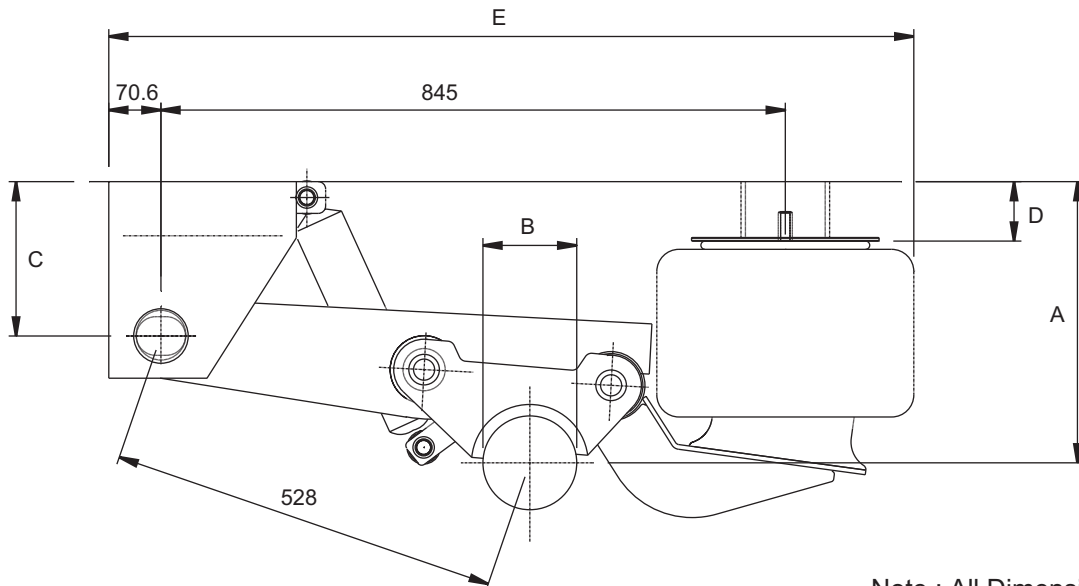


WARNING

The load limits given are valid for operation on paved roads and under conditions prevailing in Europe. For alternative conditions please consult Holland

- Composite air spring piston for reduced weight and improved resistance to impact and corrosion
- Lightweight - from 135 Kg excluding axle
- Available with patented NEWeld axle connection eliminating the need to weld to the axle tube
- Available for 127mm and 146mm diameter round axles
- For applications requiring offset airspring see NSE110(V)

NSE 90 OVERSLUNG SUSPENSION

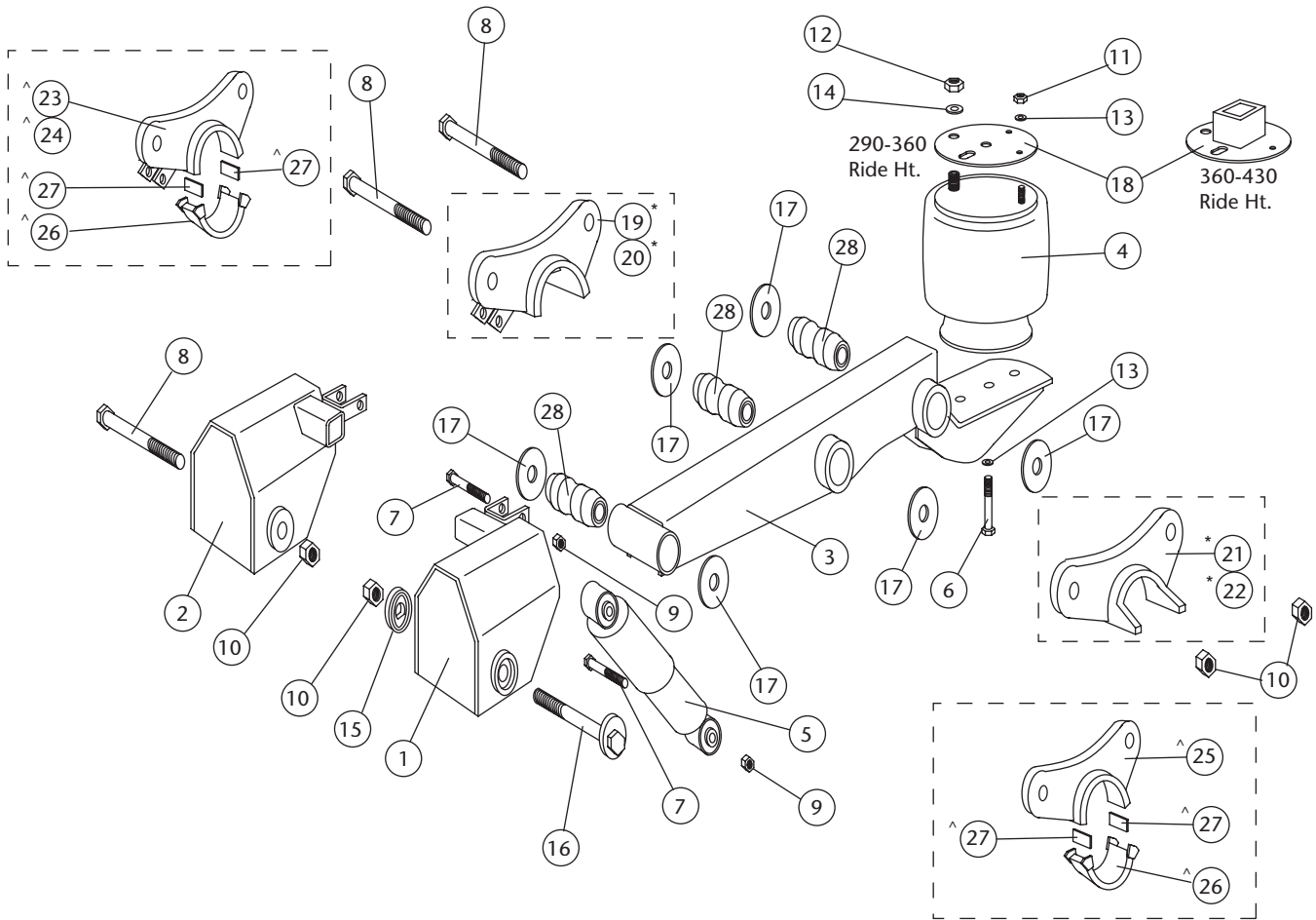


Note : All Dimensions in mm

DIMENSIONS	Ride Ht. 'A'	Axle Dia. 'B'	Pivot Ht. 'C'	Length 'E'	Airspring Offset	Pedestal 'D'
NSE90 290-360	290-360	127	133	1065	0	6
NSE90 360-430	360-430	127	210	1065	0	81
NSE90 300-370	300-370	146	133	1065	0	6
NSE90 370-440	370-440	146	210	1065	0	81

Holland reserves the right, without prior notice, to change specifications and dimensions

NSE 90 SERIES AIR SUSPENSION - SPARE PARTS



Item	Part No.	Qty	Description	Item	Part No.	Qty	Description
1	90521191	1	Frame Bracket LH (NSE90 290-360)	16	90508015	1	Alignment Block Assembly
	90521193	1	Frame Bracket LH (NSE90 360-430)	17	90036223	12	Wear Washer
2	90521179	1	Frame Bracket RH (NSE90 290-360)	18	90034237	2	Air Spring Mtg Plate (NSE90 290-360)
	90521180	1	Frame Bracket RH (NSE90 360-430)		90554671	2	Air Spring Mtg Plate (NSE90 360-430)
3	xx 90516850	2	Equalising Beam Assembly	19	* 90501383	1	Adapt. & Shock Brkt RH (127mm axle)
4	90557233	2	Air Spring		90501408	1	Adapt. & Shock Brkt RH (146mm axle)
5	M0044020	2	Shock Absorber (290-360)	20	* 90501382	1	Adapt. & Shock Brkt LH (127mm axle)
	M0044023	2	Shock Absorber (360-430)		90501409	1	Adapt. & Shock Brkt LH (146mm axle)
6	20000083	2	Bolt Hex M12 x 1.75 x 100G	21	* 90001280	1	Adapter Plain LH (127mm axle)
7	20000120	4	Bolt M20 x 2.5 x 100		90001304	1	Adapter Plain LH (146mm axle)
8	20000170	5	Bolt Hex M30 x 3.5 x 210	22	* 90001279	1	Adapter Plain RH (127mm axle)
9	20003005	4	Nut Lock M20 x 2.5		90001303	1	Adapter Plain RH (146mm axle)
10	20003007	6	Nut Hex lock M30 x 3.5	23	^ 90501367	1	Adapter & Shock Brkt RH
11	20003015	2	Nut Hex M12 x 1.75	24	^ 90501368	1	Adapter & Shock Brkt LH
12	20003022	2	Nut M20 x 1.5 Fine Pitch	25	^ 90001275	2	Adapter Plain
13	20004020	4	Lock Washer M12	26	^ 90001272	4	Wrapper
14	20004022	2	Lock Washer 20mm	27	^ 90034223	8	Backing Plate
15	90008209	1	Alignment Block (D-hole)	28	^ 90008207	6	Rubber Bush with Inner Sleeve
xx	Includes bush (item 28) - 3 per beam (Bush also available seperately)			*	Parts for welded axle connection (for 127mm or 146mm dia axles)		
				^	Parts for clamped/non welded axle connection (127mm axle only)		

SERVICE REPAIR KITS

Kit no.	Part Number	Description	Contents of Kit
SRK-508	48100372	RH (fixed) Pivot Connection	1 x Item 28, 2 x Item 17, 1 x Item 8, 1 x Item 10
SRK-509	48100373	LH (adjustable) Pivot Connection	1 x Item 28, 2 x item 17, 1 x Item 16, 1 x Item 10, 1 x Item 15
SRK-506	48100370	Axle Connection (both sides)	4 x Item 28, 8 x Item 17, 4 x Item 8, 4 x Item 10

Note : It is recommended that both pivot connections are replaced at the same time



SAF-HOLLAND GmbH
Hauptstraße 26
D-63856 Bessenbach, Germany
Phone: +49 (0) 6095-301302
Fax: +49 (0) 6095-301200

HOLLAND EUROHITCH Ltd.
Hoo Farm Ind. Est. Worcester Rd.
Kidderminster, Worcs. DY11 7RA, UK
Phone: +44 (0) 1562-732010
Fax: +44 (0) 1562-732020

HOLLAND EUROPE GmbH
Altenkamp 9, D-33758
Schloss Holte-Stukenbrock, Germany
Phone: +49 (0) 5207-89560
Fax: +49 (0) 5207-895656