

**YORK**

# TRAILER SPARE PARTS

AXLES, SUSPENSION SPARES

VER 1

# CONTENTS

## Axles

Tag Identification .....	4
Axle Code.....	5
Outboard Drum Axles (Standard) .....	6
Preset Hub & Centrifuse Brake Drum.....	7
Low Bed Drum Axles.....	8
Disc Brake Axles.....	9
Rows of Eight (Ro8) Axles .....	10
Spider/Spoke Drum Axles.....	11
Heavy Duty Drum Axles.....	12
Short Axles (Drum).....	13

## Dreadnought (DN) Bogies

Tandem Bogie Low Mount – DN7/DN8.....	14
Tandem Bogie High Mount – DNH7/DNH8 .....	15

## Walking Beam (WB) Bogies

24.0 – 40.0 Tonne Capacity .....	16
----------------------------------	----

## Argonaut (AGB) Bogies

46.0 – 85.0 Tonne Capacity .....	17
----------------------------------	----

<b>Air Suspension Levelling Valve (Pneumatic) Kits.....</b>	<b>18</b>
---	-----------

<b>Manual / Auto Slack Adjuster .....</b>	<b>19</b>
---	-----------

<b>ABS Sensors And Auto Slack Kits .....</b>	<b>20</b>
--	-----------

<b>Suspension Application Chart .....</b>	<b>22</b>
---	-----------

## SPARE PARTS LISTING

### Axles

2570 P22 MFL Disc Axles .....	24
2582 MFL Drum Axles.....	26
2682 / RB / 2685 Outback Stud Type Drum Axles .....	28
2682 / RB Outback Spider Drum Axles.....	30
2782 / 2784 / RB / 2785 Stud Type Drum Axles .....	32
2782 / 2784 RB Spider Drum Axles .....	34
2783 Drum Axles .....	36
2800 Heavy Duty Drum Axles .....	38
2950 Drum Axles .....	40
2970 P22 Disc Axles.....	42
2980 P19 Disc Axles.....	44

# CONTENTS

## Mechanical Suspensions

MT75 Suspension Code .....	46
MT75 Overslung .....	47
MT75 Underslung .....	49
YTB90 Suspension Code .....	51
YTB90 Overslung .....	52
YTB90 Underslung .....	53
YTE90 Overslung .....	54
YTE90 Underslung .....	56
YTB90 Overslung – Standard Duty .....	58
YTB90 Underslung – Standard Duty .....	59
YTB90 Overslung – Heavy Duty .....	60
YTB90 Underslung – Heavy Duty .....	61
YTB90 Heavy Duty Rocker .....	62
YTE115 Overslung .....	63

## Air Suspensions

Tecair 1 .....	64
Tecair 2 .....	68
Duratrac .....	72
Tecair FB VRH .....	78
Conversion Kits – Airbag .....	83
Conversion Kits – Tecair FB To FB VRH .....	84
Axle Lift Kits – Centre Mounted .....	85
Draw Bars .....	86
<b>General Terms And Condition Of Sales</b> .....	<b>88</b>
<b>Axle &amp; Suspension SARNs</b> .....	<b>90</b>
<b>Warranty Statement</b> .....	<b>92</b>

# TAG IDENTIFICATION

## TEC AIR 2 IDENTIFICATION



**Ride Height:** Ride height is measured from the centre of the axle to under chassis rail (example shown 360mm)

**Axle Serial Number:**

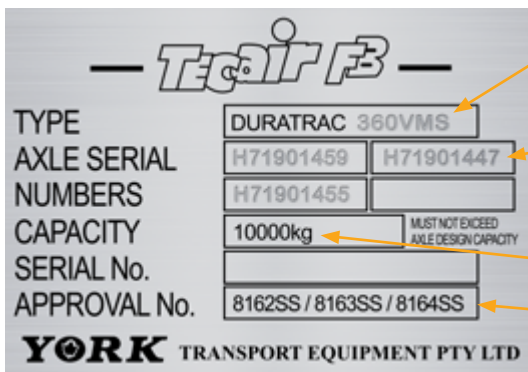
Denotes build month. Example shown: 8 (AUG)  
 Year of manufacture. Example shown: 2019  
 Axles number sequence. Example shown: 779

**Weight Capacity:** 9 tonne

**SARN Approval:** Government approval numbers for suspension

Single axle suspension: 8163SS  
 Tandem axle Suspension: 8164SS  
 Tri axle suspension: 8162SS

## DURATRAC IDENTIFICATION



**Ride Height:** Ride height is measured from the centre of the axle to under chassis rail (example shown 360mm)

STD = Standard Duratrac  
 VMS = Vertical Mount Shocker

**Axle Serial Number:**

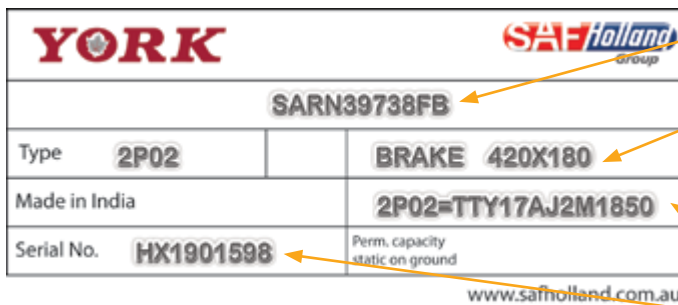
Denotes build month. Example shown: 7 (JUL)  
 Year of manufacture. Example shown: 2019  
 Axles number sequence. Example shown: 445

**Weight Capacity:** 10 tonne

**SARN Approval:** Government approval numbers for suspension

Single axle suspension: 8163SS  
 Tandem axle suspension: 8164SS  
 Tri axle suspension: 8162SS

## AXLE IDENTIFICATION



**SARN:** Brake foundation number  
 Example shown: 39738FB

**Brake size:**  
 Example shown: 420 x 180mm

**Axle type:**  
 Example shown: 2P02 (2782)  
 Drum examples: 2782–2950-2783  
 Disc brake examples: 2970 Pan 22 2980 Pan 19

**Part number:** 2P02TTY17AJ2M1850

**Serial Number:**  
 HX = Plant  
 2019 = Year of manufacture  
 01598 = Number of axles made

# AXLE CODE – YORK AUSTRALIA

Axle Model Type (M)	
2782	Dual wheel 22.5" drum axle, TN 420x180 (16.5"x7") 'S' cam brake
2783	Dual wheel 15" and 17.5" drum axle, TN 311x178 (12.25"x7") 'S' cam brake
2784	Super Single wheel drum 22.5" axle, TN 420x180 (16.5"x7") 'S' cam brake
2950	Dual wheel 17.5" and 19.5" drum axle, TN 335x210 'S' cam brake
2953	Dual wheel 16" drum axle, TN 311x178 (12.25"x7") 'S' cam brake
2954 (N.L.A)	Dual wheel 16" and 17.5" drum axle, TN 311x127 (12.25"x5") 'S' cam brake
2682	Dual wheel 22.5" drum axle, TP 420x180 (16.5"x7") 'S' cam brake
2980	Dual wheel 19.5"/22.5" disc axle, TN Pan 19
2970	Dual wheel 22.5" disc axle, TN Pan 22
78792157/58/59	Dual wheel 22.5" drum axle, TNA RB 420x180 (16.5"x7") 'S' cam brake
78792279/80	Dual wheel 22.5" axle, TPA RB 420x180 (16.5"x7") 'S' cam brake
2582/83	Dual wheel 22.5" drum axle, MFL (UN) 420x180 (16.5"x7") 'S' cam brake
2570/71	Dual wheel 22.5" disc axle, MFL (UN) Pan 22

Camshaft (C)	
E	Enclosed camshaft
N	Non enclosed camshaft
L	Long camshaft
S	Short camshaft

Hub Type (H)	
1	Spider hub (dual & single, 22.5" & 15")
2	10 stud 285 PCD ISO steel hub
3	10 stud 335 PCD ISO steel hub
4P	10 stud 285 PCD ISO alum hub
5	8 stud 285 PCD jap steel hub
7	8 stud 275 PCD ISO steel hub
8P	8 stud 275 PCD ISO alum hub
10	10 stud 225 PCD ISO steel hub
11	6 stud 222 PCD JAP steel hub
12P	10 stud 335 PCD ISO alum hub

Track (L)	
Expressed in mm	

Axle Tube Thickness (T)	
T	127mm round x 16mm thick
V	127mm round x 19mm thick
X	127mm round x 25mm thick
R	127mm round x 12.7mm thick

Accessories Codes (A)	
NONE	Blank/Standard
C	Lightweight brake drum (10x285 only)
A	Automatic slack adjusters
O	Oil filled hub cap
H	Hubodometer

## AXLE SPECIFICATION

1) ADR Compliance ADR38/05

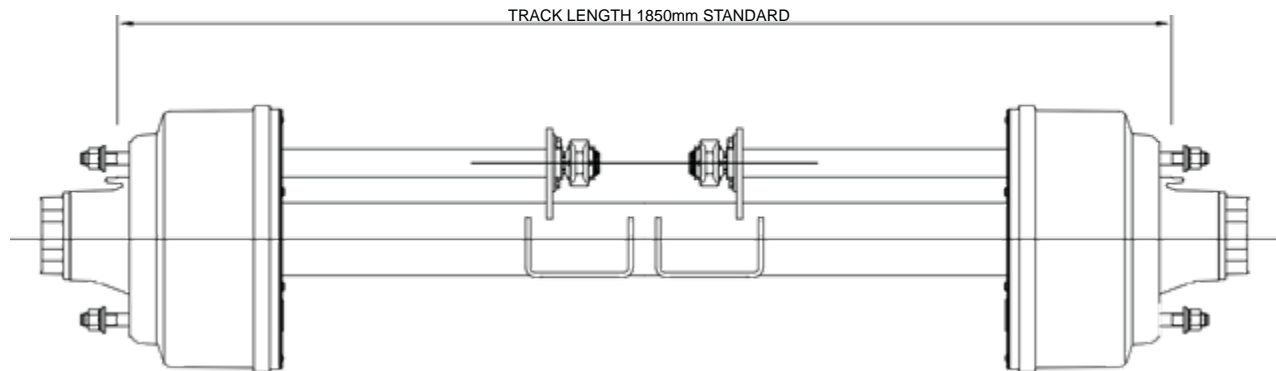
Axle Model	SARN Number	Cap. GALR (tonnes)
2782, 2784, 2682, 78792279/80 RB & 2582/83	39738	11.5
2950	10787 FB	10.5
2783/2953	6900 FB	10.0
2954 (N.L.A)	NO SARN	7.0
2980	27571	11.5
2970, 2570/71	33991	12.0

### Notes:

1) 311x127 brake shoes and axles are no longer available.

# OUTBOARD DRUM AXLES (STANDARD)

10.5 – 12.0 TONNE CAPACITY PER AXLE WITH OUTBOARD BRAKE DRUM



Capacity Bearing & Beam Size	Brake Size (mm)	Wheel Fixing	No. x Size of Wheel Stud x PCD (mm)	Brake Type	Wheel Bore Dia. (mm)	Minimum Wheel Size	Model Number	Axle Weights Approximated. (kg)
10.5 Tonnes TN & Round 127/16mm	335 x 210	ISO	8 x M22 x 275 *	P	221	19.5"	295071860TEL	306
10.50 Tonnes TN & Round 127/16mm	335 x 210	ISO	8 x M22 x 275	P	221	19.5"	29508P1860TEL	Alloy Pre-set Hub 288
10.5 Tonnes TN & Round 127/16mm	335 x 210	JAP	8 x M22 x 285	P	221	19.5"	295051710	295
10.5 Tonnes TN & Round 127/16mm	335 x 210	ISO	10 x M22 x 225 *	P	176	15" / 17.5"	2950101850TEL	307
11.5 Tonnes TN & Round 127/16mm	420 x 180	ISO	10 x M22 x 285 *	Q	220	20" / 22.5"	78792157RELS	332
							278221850TEL	332
			10 x M22 x 335 *	Q	281	20" / 22.5"	78792159RELS	335
							278231850TEL	335
11.5 Tonnes TN & Round 127/16mm	420x 180	ISO	10 x M22 x 285 *	Q	220	20" / 22.5"	27824P1850TEL	Steel drum 310
								Alloy Pre-set Hub
								C.Fuse drum 285
12.0 Tonnes TP & Round 127/16mm	420 x 180	ISO	10 x M22 x 285 *	Q	220	20" / 22.5'	78792280RELS	345
			10 x M22 x 335 *	Q	281	20" / 22.5'	268231850TEL	360
12.0 Tonnes TP & Round 127/19mm	420 x 180	ISO	10 x M22 x 335 *	Q	281	20" / 22.5'	268231850VEL	376
12.0 Tonnes TP & Round 127/19mm	420 x 180	ISO	10 x M22 x 285 *	Q	220	20" / 22.5'	268221850VEL	377
12.0 Tonnes (MFL) THU 7 Round 127/16mm	420 x 180	ISO	10 x M22 x 285 *	Q	220	20" / 22.5'	258221850TEL	353
			10 x M22 x 335 *	Q	281		258231850TEL	356

**Notes:**

- 1) 127mm (5") round axle – 16mm standard wall thickness, 19mm-25mm optional wall thickness.
- 2) 117mm wheel studs suit twin tyre steel or aluminium wheel fixings as standard. ISO 20" 22.5" super single wheel fixings are also available.
- 3) Standard track length – 1850mm, other track lengths are also available.
- 4) All axles include standard manual slack adjuster, auto slack adjuster is optional.
- 5) Bearing size/type: TN Imperial 2,5/8" - 90 Bearing, TP Parallel Imperial 89.6 Bearing. THU - Unitised Sealed Cartridge Bearing.
- 6) \* Denotes standard 117mm GP stud length for steel or alloy wheels.
- 7) All axles are supplied ABS ready.
- 8) All axles have long enclosed cams.
- 9) All axles are hub to hub complete and supplied with no boosters as standard.
- 10) SARN Numbers – Model 2950 = 10787FB, Models 7879, 2582, 2682 & 2782 = 39738.

# PRESET HUB & CENTRIFUSE BRAKE DRUM

10.5 – 11.5 TONNE CAPACITY PER AXLE

## AXLES WITH PRESET HUB (ALUMINIUM)

Capacity Bearing & Bearing	Brake Size (mm)	Wheel Fixing	No. x Size of 122mm Wheel Stud x PCD (mm)	Wheel Bore Dia. (mm)	Minimum Wheel Size	Model Number	Weight Approx. (kg)
2782 / 11.5 Tonnes	420 x 180	ISO	10 x M22 x 285	220	20"/22.5"	27824P1850TEL	295
TN & Round 127/16mm	335 x 210	ISO	8 x M22 x 275	221	19.5"	29508P1850TEL	285



Preset Wheel Ends are factory assembled so they arrive ready for installation. While conventional wheel ends contain separate components which must be precisely aligned and adjusted during installation, Preset Wheel Ends install in minutes by simply placing the complete sub-assembly on the axle and torquing the retaining nut to 300 ft-lbs. There is no chance of misalignment or damage of components during installation, which is a major cause of premature wheel end wear and failure. Unlike unitized wheel ends, Preset Wheel Ends are fully field serviceable with conventional tools and equipment. Preset Hubs (Aluminium) are available for 8 stud 275 PCD, 10 Stud 285 PCD and 10 stud 335 PCD Outboard Alex only.

### Aluminium Preset Hub only

**WEIGHT** 16kg/hub

Approx. 10kg/hub lighter than Steel Casting

## CENTRIFUSE LIGHT WEIGHT BRAKE DRUM

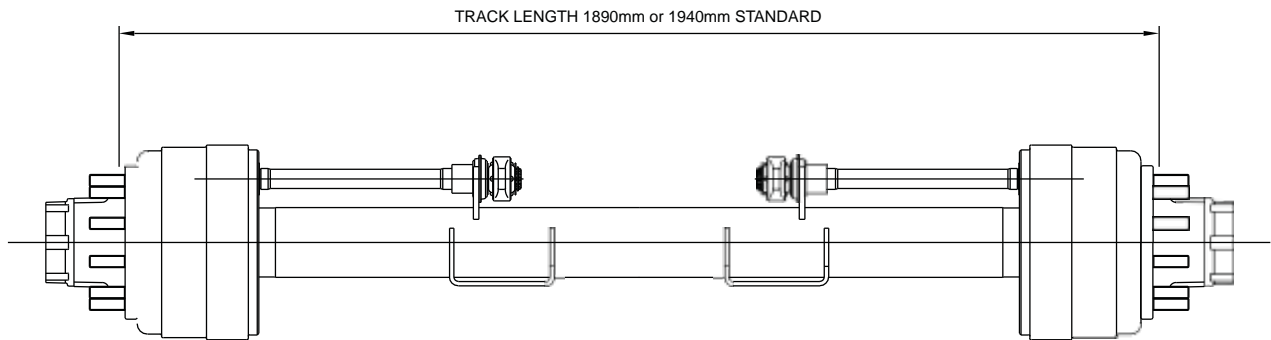
**BRAKE DRUM 10 X 285PCD – O/B**

**PART NUMBER** 79792328



# LOW BED DRUM AXLES

7.0 – 10.0 TONNE CAPACITY PER AXLE WITH INBOARD DRUM



Capacity Bearing & Beam Size	Brake Size (mm)	Wheel Fixing	No. x Size of Wheel Stud x PCD (mm)	Brake Type	Wheel Bore Dia. (mm)	Min Wheel Size	Model Number	Axle Weights Approx. (kg)
7.0 Tonnes TN & Round 127/16mm	311 x 127	ISO	10 x M22 x 225	P	176	15"	2954101940TEL	315
10.0 Tonnes TN & Round 127/16mm	311 x 178	JAP	6 x M20 x 222	P	163	16"	2953111660	295
7.0 Tonnes TN & Round 127/16mm	311 x 127	JAP	6 x M20 x 222	P	163	16"	2954111660	281
10.0 Tonnes TN & Round 127/16mm	311 x 178	ISO	10 x M22 x 225 *	P	176	15"/17.5"	2783101830TEL	289
10.0 Tonnes TN & Round 127/19mm	311 x 178	ISO	10 x M22 x 225 *	P	176	15"/17.5"	2783101940VEL	304
10.0 Tonnes TN & Round 127/16 & 19mm	335 x 210	ISO	10 x M22 x 225 *	P	176	15"/ 17.5"	2950101850TEL	307
	335 x 210				176	15/ 17.5"	2950101850VEL	320

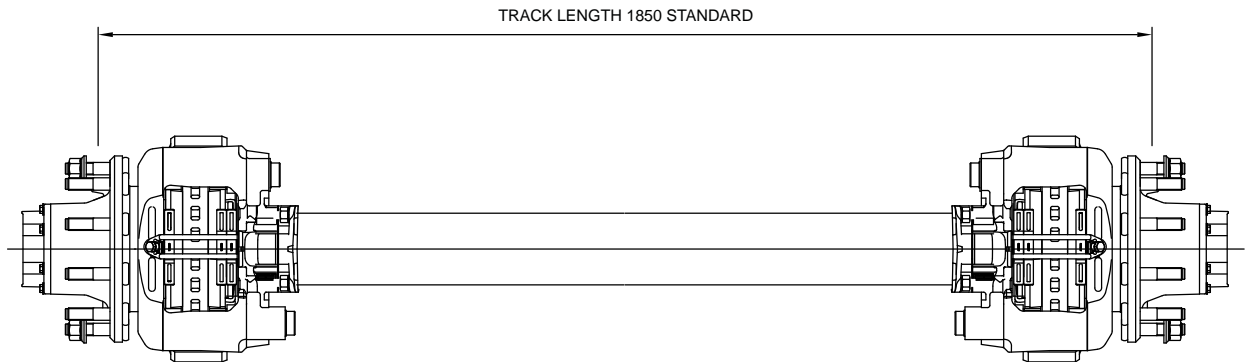
**Notes:**

- 1) 127mm round axle – 16mm-19mm thick beam is standard for 10 tonnes capacity.
- 2) \* Denotes 117mm stud length for steel or alloy wheels.
- 3) Inboard brake drums are standard.
- 4) Standard track length – 1850mm + 1890 & 1940mm - other track lengths are also available.
- 5) All axles include standard manual slack adjuster, auto slack adjuster is optional.
- 6) Bearing size/type: TN Imperial 2.5/8" – 90 Bearing.
- 7) All axles are supplied ABS ready.
- 8) SARN numbers – Models 2783 & 2953 = 6900FB, Model 2950 = 10787FB & Model 2954 = No SARN Number.
- 9) All axles are hub to hub complete and supplied with no boosters as standard.
- 10) All axle Models 2783 and 2950 have long enclosed cams.
- 11) 311x127 brake shoes and axles are no longer available.



# DISC BRAKE AXLES

11.5 – 12.0 TONNE CAPACITY PER AXLE



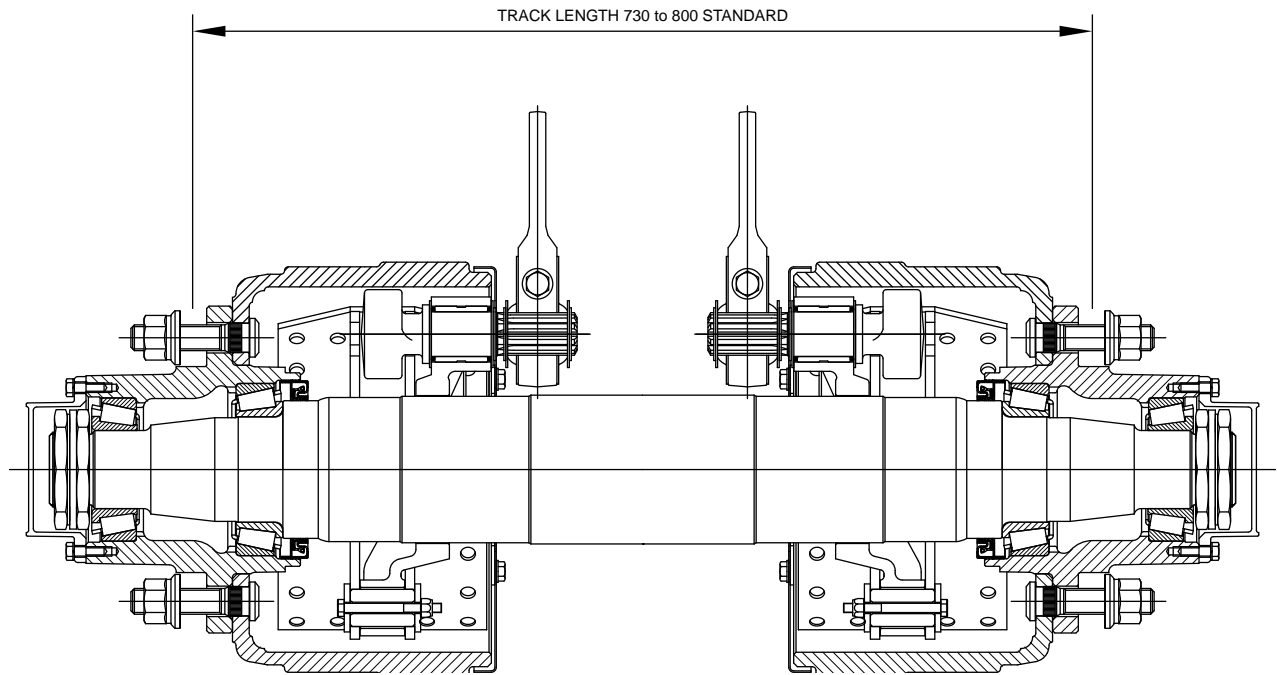
Capacity Bearing & Beam Size	Rotor Size (mm)	Wheel Fixing	No. x Size of Wheel Stud x PCD (mm)	Wheel Bore Dia. (mm)	Min Wheel Size	Model Number	Axle Weights Approx. (kg)
11.5 Tonnes TN & Round 127/16mm	Ø370 PAN 19	ISO	10 x M22 x 335 *	281	20" / 22.5"	298031850T	302
			10 x M22 x 285 *	220		298021850T	303
			8 x M22 x 275 *	221		298071850T	301
12.0 Tonnes TN & Round 127/16mm	Ø430 PAN 22	ISO	10 x M22 x 335 #	281	20" / 22.5"	297031850T	320
			10 x M22 x 285 #	220		297021850T	315
12.0 Tonnes MFL THU & Round 127/16mm	Ø430 PAN 22	ISO	10 x M22 x 285 #	220	20" / 22.5"	2570	335
			10 x M22 x 335 #	281		2571	340
12.0 Tonnes TN & Round 127/16mm	Ø430 PAN 22	ISO	10 x M22 x 285 +	220	20" / 22.5"	29704P1850T	Pre-set Alloy hub 300

**Notes:**

- 1) 127mm round axle – 16mm standard wall thickness, 19mm optional wall thickness.
- 2) 100mm stud = twin tyre steel wheel fixings as standard. 117mm wheel stud = aluminium wheel fixings.
- 3) Standard track length – 1850mm, other track lengths are also available. Single tyre units POA.
- 4) \* Denotes 100mm stud length, # denotes 117mm stud length, + denotes 126mm stud length.
- 5) Bearing size/type: TN Imperial 2,5/8" - 90 Bearing, THU- Unitised Sealed Cartridge Bearings MFL.
- 6) All axles are supplied ABS ready.
- 7) All axles are hub to hub complete and supplied with no boosters as standard.
- 8) SARN Numbers – Model 2980 = 27571, Models 2570 & 2970 = 33991.

# ROWS OF EIGHT (RO8) AXLES

8.0 – 10.0 TONNE CAPACITY PER AXLE WITH INBOARD BRAKE DRUM



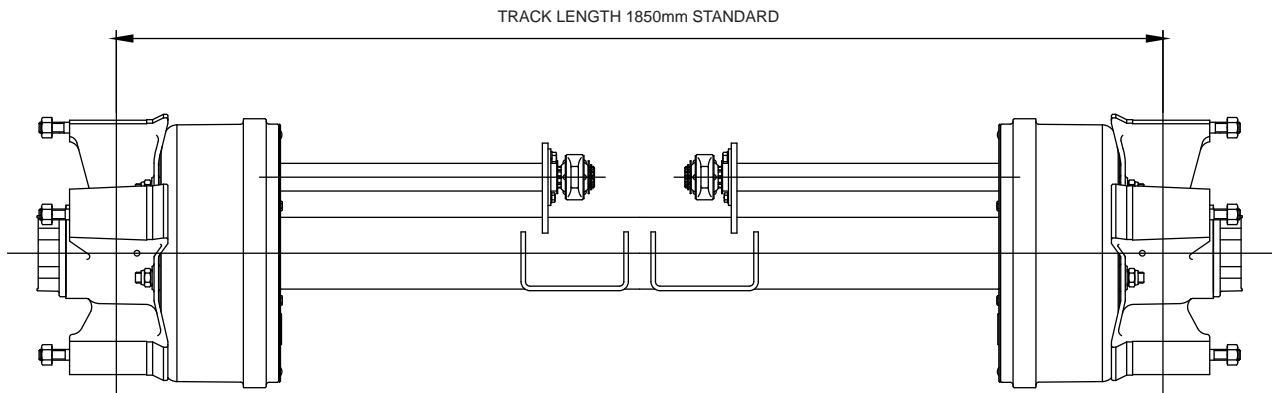
Capacity Bearing & Beam Size	Brake Size (mm)	Wheel Fixing	No. x Size of Wheel Stud x PCD (mm)	Brake Type	Wheel Bore Dia. (mm)	Minimum Wheel Size	Model Number	Axle Weights Approx. (kg)
8.0 Tonnes TN & Round 5"/16mm	311 x 127	ISO	10 x M22 x 225	P	176	15" / 17.5"	792273K0750	260
							792284K0750	
10.0 Tonnes TN & Round 5"/16mm	311 x 178	ISO	10 x M22 x 225	P	176	15" / 17.5"	792259K0750	276
							792287K0750	

**Notes:**

- 1) 5" round axle – 16mm thick beam is standard for 8 – 10 tonne capacity.
- 2) Inboard brake drums are standard.
- 3) Twin tyre steel wheel fixings are standard. ISO single wheel fixings are also available.
- 4) 750mm track length is as shown. Minimum track length – 730mm. Other longer track lengths are also available.
- 5) All axles are available with ABS ready kits (optional).
- 6) Bearing size/type: TN Imperial 2.5/8" - 90 Bearing.
- 7) 311x127 brake shoes and axles are no longer available.

# SPIDER/SPOKE DRUM AXLES

10.5 – 12.0 TONNE CAPACITY PER AXLE



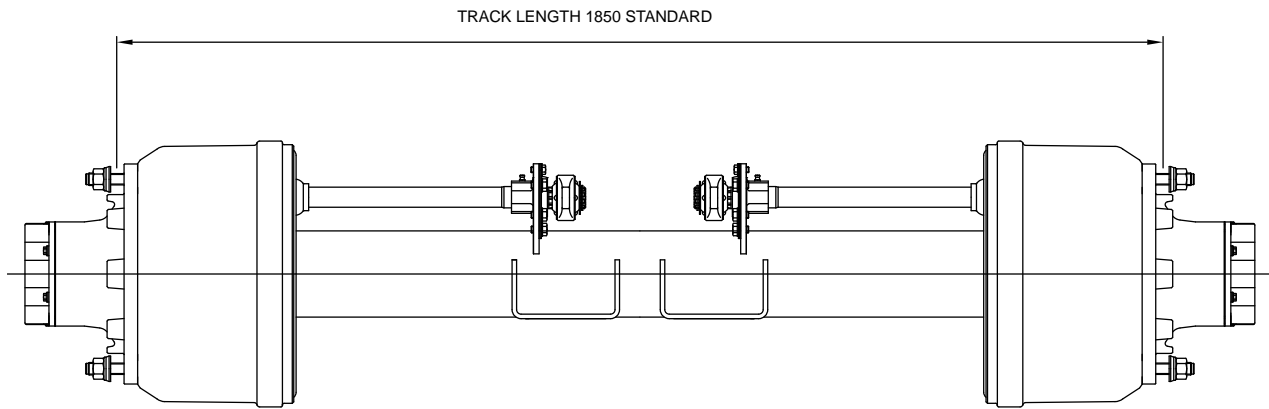
Capacity Bearing & Beam Size	Brake Size (mm)	Wheel Fixing	No. x Size of Wheel Stud x PCD (mm)	Brake Type	Minimum Wheel Size	Model Number	Axle Weights Approx. (kg)
10/10.5 Tonnes TN & Round 127/16mm	335 x 210	Spoke	3-Spoke 15"	P	15" / 17.5"	295011890TEL	316
	311 x 178					278311890TEL	298
11.5 Tonnes TN & Round 127/16mm	420 x 180	Spoke	5-Spoke 20"	Q	20"	78792158RELS	341
	420 x 180	Spoke	5 Spoke 20"	Q	20"	278211850TEL	341
12.0 Tonnes TP & Round 127/16mm	420 x 180	Spoke	5 Spoke 20"	Q	20"	78792279RELS	387
12.0 Tonnes TP & Round 127/19mm	420 x 180	Spoke	5-Spoke 20"	P	20"	268211850VEL	400

**Notes:**

- 1) 127mm round axle – 16mm standard wall thickness, 19mm – 25mm optional wall thickness.
- 2) Twin tyre steel wheel fixings are standard.
- 3) Standard track length – 1850/1890/1940mm, other track lengths are also available.
- 4) All axles include standard manual slack adjuster, auto slack adjuster is optional.
- 5) Bearing size/type: TN Imperial 2,5/8" – 90 Bearing, TP Parallel Imperial 89.6 Bearing.
- 6) All axles are supplied ABS ready.
- 7) Note spacer bands not supplied as standard.
- 8) All axles models have long enclosed cams.
- 9) All axles are hub to hub complete and supplied with no boosters as standard.
- 10) 10) SARN Numbers – Models 7879, 2682 & 2782 = 39738, Model 2950 = 10787FB.

# HEAVY DUTY DRUM AXLES

15.0 – 25.0 TONNE CAPACITY PER AXLE WITH INBOARD BRAKE DRUM

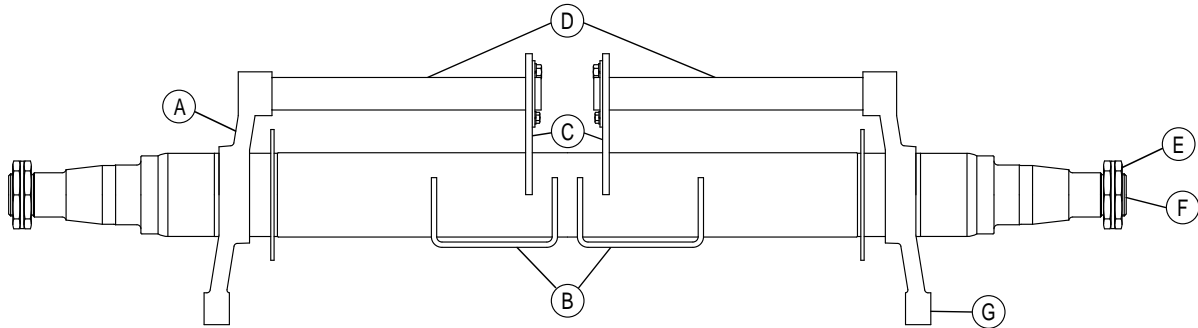


Capacity Bearing & Beam Size	Brake Size (mm)	Wheel Fixing	No. x Size of Wheel Stud x PCD (mm)	Brake Type	Wheel Bore Dia. (mm)	Minimum Wheel Size	Model Number	Axle Weights Approx. (kg)
15.0 Tonnes TQ & Round 127/25mm	420 x 220	ISO	10 x M22 x 335	P	281	20"/22.5"	8002	400
20.0 Tonnes TQ & Round 152/32mm	420 x 220	ISO	10 x M24 x 335	P	281	20"/22.5"	8021	468
20.0 Tonnes TQ & Rectangular 150 x 176mm	420 x 220	ISO	10 x M24 x 335	P	281	20"/22.5"/24"	5809	521

**Notes:**

- 1) 152mm round axle – 32mm standard wall thickness.
- 2) 152mm square axle – 14mm standard wall thickness.
- 3) Inboard brake drums are standard.
- 4) Twin tyre steel wheel fixings are standard. ISO single wheel fixings are also available.
- 5) Standard track length – 1850mm, other track lengths i.e. 2250/2320mm are also available.
- 6) All axles include standard manual slack adjuster, auto slack adjuster is optional.
- 7) Bearing size/type: TQ Metric 90-100 Bearing.
- 8) All axles are available with ABS ready kits (optional).
- 9) SARN Numbers – Models 8002, 8003 & 8021 = 16491FB.

# SHORT AXLES (DRUM)



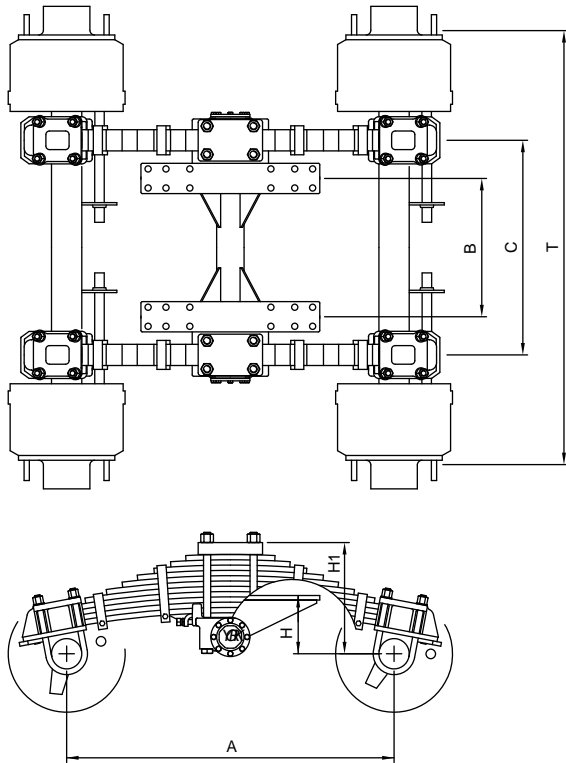
Description	Part Number	Includes
Axle Beam Assembly - Spring Suspension	Refer YORK	<b>A</b> Brake Spiders <b>B</b> Brake Booster Brackets <b>C</b> Cam Tube Brackets <b>D</b> Cam Tube <b>E</b> Axle Nuts <b>F</b> Lock Tab Washers <b>G</b> Anchor Pin Bushes
Axle Beam Assembly - Air Suspension	Refer YORK	Brake Spiders Brake Booster Brackets Cam Tube Brackets Cam Tube Axle Nuts Lock Tab Washers Anchor Pin Bushes Suspension Seat (as required) Tracking Plate (as required) 'U' Bolts with Nuts

**Notes:**

1) Short axles are available to suit all axle models.

# TANDEM BOGIE LOW MOUNT – DN7/DN8

20.0 – 40.0 TONNE CAPACITY



## DN7 LOW MOUNT

APPROX. WEIGHT 748kg

Axle Beam @ Axle Capacity	Capacity @ 80km/h (Highway)	Capacity @ 60km/h (Off Road)	Track (T)/ Spring (C)/ Stool	Axle Spacing (A)/ Height (H)/ Height (H1)	Model Number
127mm (5") Round @ 12.0 Tonnes	24.0 Tonnes	20.0 Tonnes	1850/900/580	1430/245/510	68DN7MK20900
152mm (6") Square @ 12.0 Tonnes	24.0 Tonnes	20.0 Tonnes	1850/900/580	1410/265/530	68DN7SMK20900
127mm (5") Round @ 15.0 Tonnes	30.0 Tonnes	24.0 Tonnes	1850/900/580	1430/245/510	68DN7MK20900
152mm (6") Square @ 16.0 Tonnes	30.0 Tonnes	24.0 Tonnes	1850/900/580	1410/265/530	68DN7SMK20900

*Unladen Condition*

## DN8 LOW MOUNT

APPROX. WEIGHT 1075kg

Axle Beam @ Axle Capacity	Capacity @ 80km/h (Highway)	Capacity @ 60km/h (Off Road)	Track (T)/ Spring (C)/ Stool	Axle Spacing (A)/ Height (H)/ Height (H1)	Model Number
152mm (6") Square @ 16.0 Tonnes	32.0 Tonnes	28.0 Tonnes	1850/880/490	1490/260/465	68DN8S880
152mm (6") Round @ 17.5 Tonnes	35.0 Tonnes	32.0 Tonnes	1850/880/490	1490/260/468	68DN8880
152mm (6") Round @ 20.0 Tonnes	40.0 Tonnes	32.0 Tonnes	1850/880/490	1490/260/468	68DN8880

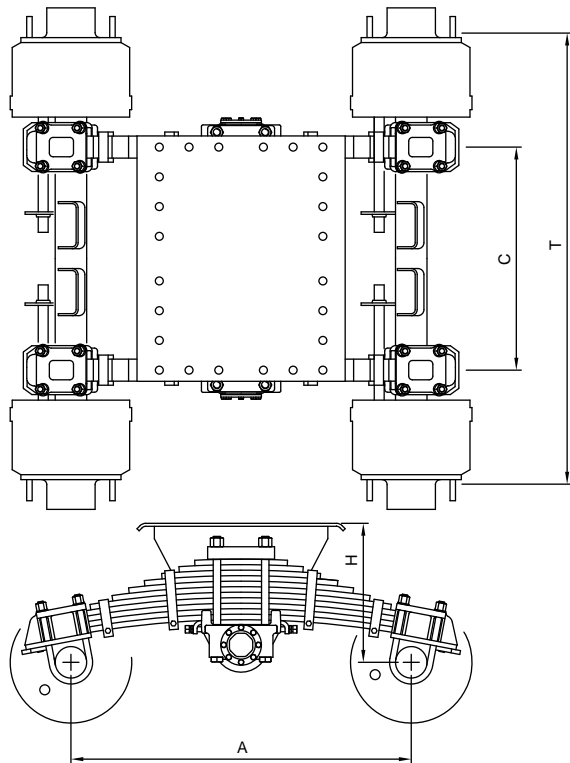
*Unladen Condition*

**Notes:**

- 1) For other tyre size, please contact YORK engineering department.
- 2) Other track lengths available on request.

# TANDEM BOGIE HIGH MOUNT – DNH7/DNH8

20.0 – 40.0 TONNE CAPACITY



## DNH7 HIGH MOUNT

APPROX. WEIGHT 930kg

Axle Beam @ Axle Capacity	Capacity @ 80km/h (Highway)	Capacity @ 60km/h (Off Road)	Track (T)/ Spring (C)	Axle Spacing (A)/ Height (H)	Model Number
5" Round @ 12.0 Tonnes	24.0 Tonnes	20.0 Tonnes	1850/900	1370/560	68DNH7PLUS
6" Square @ 12.0 Tonnes	24.0 Tonnes	20.0 Tonnes	1850/880	1490/606	68DNH7SPLUS
5" Round @ 15.0 Tonnes	30.0 Tonnes	24.0 Tonnes	1850/900	1370/560	68DNH7PLUSL

*Unladen Condition*

## DNH8 HIGH MOUNT

APPROX. WEIGHT 1140kg

Axle Beam @ Axle Capacity	Capacity @ 80km/h (Highway)	Capacity @ 60km/h (Off Road)	Track (T)/ Spring (C)	Axle Spacing (A)/ Height (H)	Model Number
6" Square @ 16.0 Tonnes	32.0 Tonnes	28.0 Tonnes	1850-1950/880	1490/606	68DNH8SMK20880
6" Round @ 17.5 Tonnes	35.0 Tonnes	32.0 Tonnes	1850-1950/880	1490/609	68DNH8MK20880
6" Round @ 20.0 Tonnes	40.0 Tonnes	32.0 Tonnes	1850-1950/880	1490/609	68DNH8MK20880

*Unladen Condition*

**Notes:**

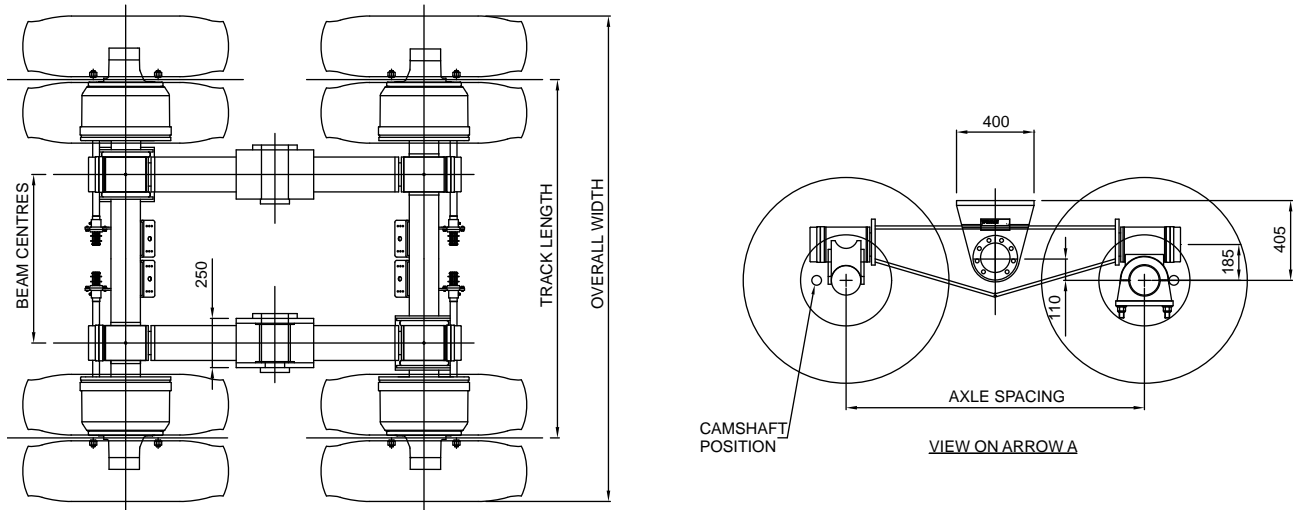
- 1) DN Bogies with longer than the standard track as specified are available on request.
- 2) For other tyre size, please contact YORK engineering department.
- 3) Other track lengths available on request.

# WALKING BEAM (WB) BOGIES

24.0 – 40.0 TONNE CAPACITY

## OVERSLUNG

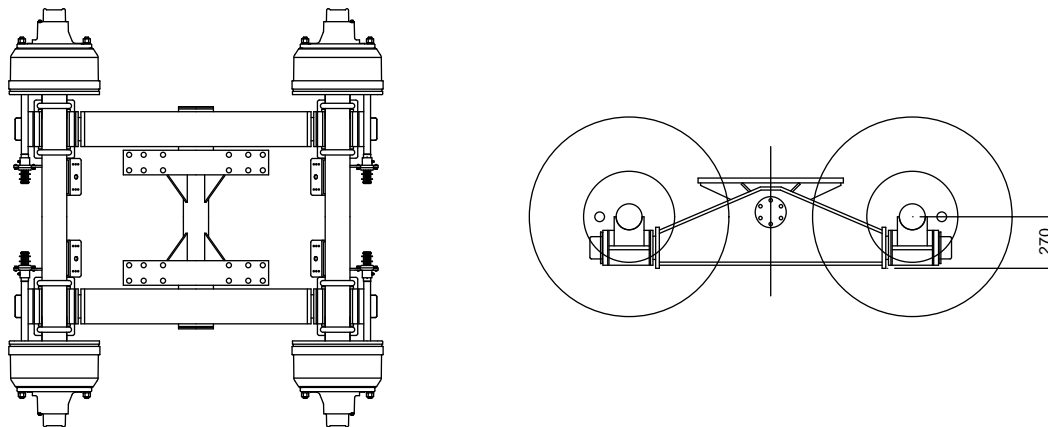
AXLE SPACINGS 1540mm



Axle Beam @ Axle Capacity	Tyre	Capacity @ 80 km/h (Highway)	Model Number
127mm (5") Round @ 12 Tonnes	10.00R20 Twin	24.0 Tonnes	Refer YORK
127mm (5") Round @ 15 Tonnes	12.00R20 Twin	30.0 Tonnes	Refer YORK

## UNDERSLUNG

AXLE SPACINGS 1540mm



Axle Beam @ Axle Capacity	Tyre	Capacity @ 80 km/h (Highway)	Capacity @ 40 km/h (Off Road)	Model Number
152mm (6") Round @ 17.5 Tonnes	12.00R24 Twin	35.0 Tonnes	32.0 Tonnes	Refer YORK
152mm(6") Round @ 20.0 Tonnes	16.00R24 Single	40.0 Tonnes	40.0 Tonnes	Refer YORK

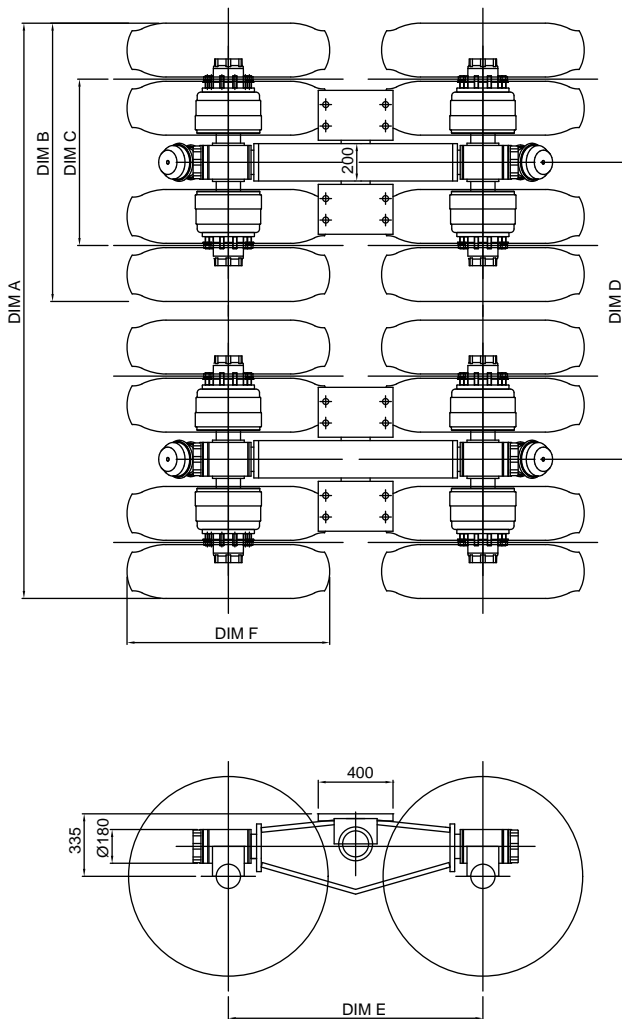
**Notes:**

- 1) Axle spacing and track length of axles and walking beams as per customer requirements.
- 2) Please contact YORK engineering department for detailed general arrangement drawings.
- 3) All wheel fittings are ISO with M22 or M24 wheel stud (10 x 335 PCD).
- 4) This WB is not suitable for port operations.



# ARGONAUT (AGB) BOGIES

46.0 – 85.0 TONNE CAPACITY



## AGB - 80 / 15 MK2

Tyre	8.25 x 15	10.00 x 15
DIM. A	2820	3000
DIM. B	1320	1410
DIM. C	815	815
DIM. D	1500	1590
DIM. E	1362	1362
DIM. F	850 Ref.	935 Ref.

## AGB - 80 / 20 MK2

Tyre	10.00 x 20
DIM. A	3210
DIM. B	1510
DIM. C	890
DIM. D	1700
DIM. E	1362
DIM. F	1080 Ref.

## AGB - 100 / 20 MK2

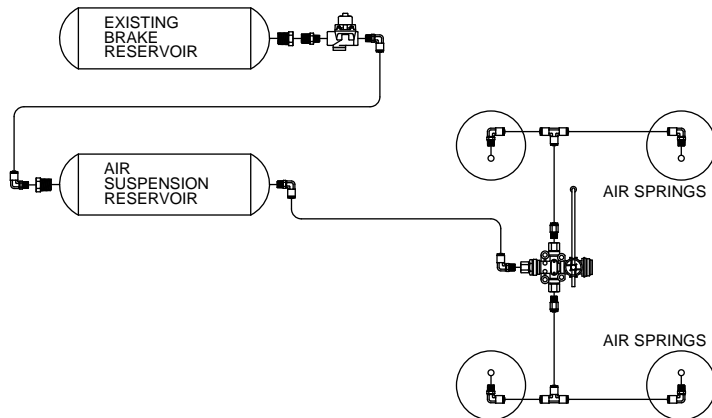
Tyre	11.00 x 20	12.00 x 20
DIM. A	3405	3512
DIM. B	1605	1662
DIM. C	965	965
DIM. D	1800	1890
DIM. E	1562	1562
DIM. F	1110 Ref.	1154 Ref.

Tyre Size		Wheel Fitting No. Stud x PCD	Installed Capacity @ 20kmh	Installed Capacity @ 40kmh	Model Number	Approx. Weight (kg)	
Twin	8.25R15	ISO 10 x 225	60 Tonnes	46 Tonnes	68AGB8015MK3	780	
	10.00R15		70 Tonnes	52 Tonnes			
	10.00R20	ISO 10 x 335	70 Tonnes	52 Tonnes	68AGB8020MK2		880
	12.00R20		78 Tonnes	60 Tonnes	68AGB10020MK2		
	12.00R24		85 Tonnes	65 Tonnes			
Single	24.00R21	ISO 10 x 335	85 Tonnes	65 Tonnes	68AGB10020MK2	1170	
	24.00R20.5		85 Tonnes	65 Tonnes			

**Notes:**

- 1) Please contact YORK for detailed general arrangement drawings.
- 2) All wheel fittings are ISO with M22 wheel stud. M24 is optional for AGB-100.
- 3) Other tyre sizes and axle centers are available on request.

# AIR SUSPENSION LEVELLING VALVE (PNEUMATIC) KITS

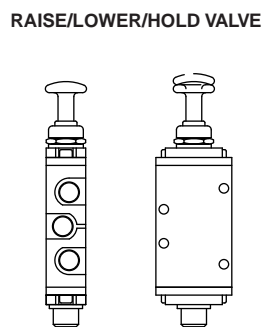
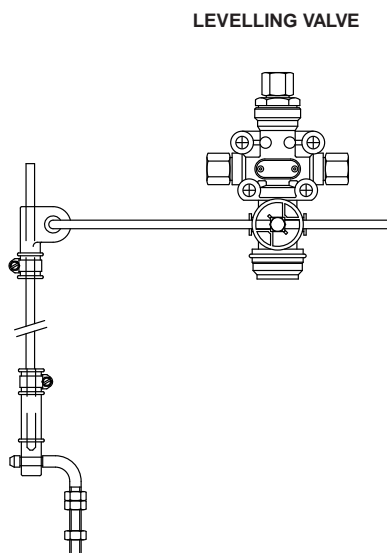


## AIR SUSPENSION PIPING SYSTEM

Semi-Trailer Application	Kit Number
Single	60791026
Tandem	60791032
Tri-Axle	60791056
Tri-Axle for TOA Trailers	60791184
Tri-Axle With dump	60791057
Quad-Axle	60791092
Four Axle Dog	70791140
Raise/Lower/Hold Valve Kit	60791157
Dump/Lower Pneum Kit	60791156

Semi-Trailer Application	Kit Number
Axle Load Indicator Kit	60791158
Tandem Fast Acting Kit	60791032
Tri-Axle Fast Acting Kit	60791056
Quad-Axle Fast Acting Kit	60791092
Two Axle Dolly Kit	60791148
Two Axle Dolly with Dump Kit	60791149
Three Axle Dolly Kit	60791152
Pressure Retention Kit	60791159

## AIR KIT COMPONENTS



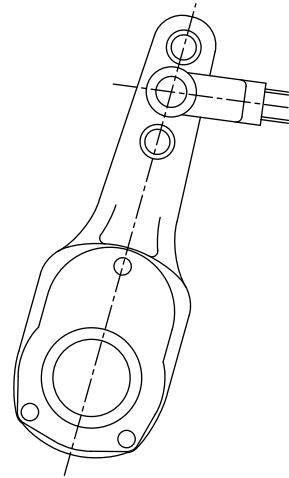
**Notes:**

- 1) Other kits available on request.

# MANUAL / AUTO SLACK ADJUSTER

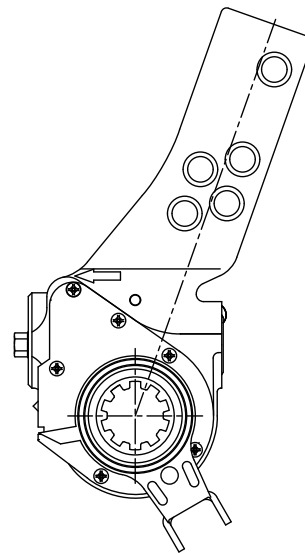
## MANUAL SLACK ADJUSTER (ALL BRAKE SIZE)

Part Number	79787905
Spline	SAE 10
Arm Length	127mm, 152mm and 176mm (5", 6" and 7")
Clevis Pin Size	12.7mm (1/2")



## AUTO SLACK ADJUSTER (HD AXLES ONLY, ALL BRAKE SIZE, GLOBAL PART)

Spline	SAE 10	SAE 37
Arm Length	5", 6" & 8"	5", 6" & 8"
Clevis Pin Size	Ø14mm	Ø14mm



## AUTO SLACK ADJUSTER (BD)

### 2783 AND 2950 TYPE AXLES

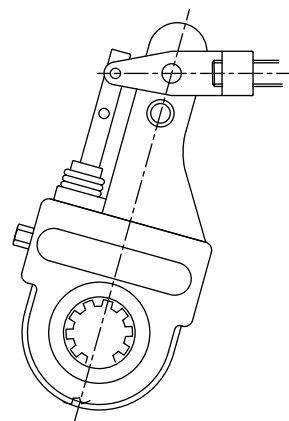
Part Number	7921153 (Dia. 311 & 335mm brake)
Spline	SAE 10
Arm Length	127mm and 152mm (5" and 6")
Clevis Pin Size	12.7mm (1/2")

### 2628 AND 2782 TYPE AXLES

Part Number	7921102 (Dia. 420mm brake)
Spline	SAE 10
Arm Length	140mm and 165mm (5.5" and 6.5")
Clevis Pin Size	12.7mm (1/2")

### 2682 AND 2782 TYPE AXLES

Part Number	7921104 (Dia. 420mm brake)
Spline	SAE 10
Arm Length	127mm, 152mm & 176mm (5", 6" & 7")
Clevis Pin Size	12.7mm (1/2")



# ABS SENSORS AND AUTO SLACK KITS

## ABS KITS

Part Number	Description
79ABS001	Alum/steel (per module) drum Sensor and cage only
79ABS002	Alum/steel (per module) disc Sensor and cage only
79ABS003	Drum brakes - steel hub complete kit
79ABS004	Drum brakes - alum hub complete kit
79ABS005	Disc (steel hub) complete kit
79ABS006	Disc (alum hub) complete kit
79ABS007	Drum brakes - 2582 MFL complete kit

## ABS POLEWHEEL

Part Number	Description	Cross Ref Number
79792337	100 tooth ID 162.mm suits 15" 3 spoke spider	SKM15701
79788871	100 tooth ID 165mm (steel hub)	8959051554
		18500309
79105459	100 slot ID 160mm (alloy hub)	

## AUTOSLACK

Part Number	Description	Axle Type
7921102	5.5/6.5" Inch 10 spline	2682/2782/2784/ALL 20"
7921104	5/6/7" Inch 10 spline	2682/2782/2784/ALL 20"
7921153	5/6" Inch 10 spline	2783/2950
79786952	Offset clevis	

## AUTOSLACK KIT

Part Number	Description	Axle Type
79AS001	Auto slack kit (5/6/7")	2682/2782/2784/ALL 20"
79AS003	Auto slack kit (5.5/6.5")	2682/2782/2784/ALL 20"
79AS004	Auto slack kit (5/6")	2783/2950



# SUSPENSION APPLICATION CHART

SUSPENSION	MECHANICAL SUSPENSION		
	MT75	YTB90	YTE115
<b>Capacity (Per Module)</b>	9T (8 Leaf x 13mm) 10T (9 Leaf x 13mm) 15T (10 Leaf x 16mm H/D) 11T (3 Leaf x 25mm) 12T (13 Leaf x 10mm)	18T (10 Leaf x 16mm) 20T (11 Leaf x 16mm) 25T (11 Leaf x 18mm H/D) 25T (10 Leaf x 20mm H/D)	25-30T (8 Leaf x 20mm H/D)
<b>Application</b>	On & off road use	On & off road use	On & off road use
	Suit arduous outback terrain & Agricultural Industry	Suit arduous outback terrain, long haul driving in outback & wharf work	Suit arduous outback terrain & long haul driving in outback
		H/D option for predominately Mining & Logging Industry	H/D option for predominately Mining Industry
<b>Trailer Type</b>	'B' Double/Triple	'B' Double/Triple	'B' Double/Triple
<b>To Suit</b>	Flat Top (Semi) Drop Deck Pig And Dog Curtain Sider (Taut Liner) Skeletal Tanker Reefer Tipper Dry Freight Van Side Tipper Tip Over-Axle Bottom Dump Logging/Jinker Livestock Hauler Double Stacker Bulk Hauler Road Train Dolly Low Loader Widening Float Walking Floor	Flat Top (Semi) Drop Deck Pig And Dog Skeletal Tanker Tipper Side Tipper Tip Over-Axle Bottom Dump Logging/Jinker Livestock Hauler Double Stacker Bulk Hauler Road Train Dolly Low Loader Widening Float Mining Sugar/Stock	Flat Top (Semi) Drop Deck Pig And Dog Skeletal Tanker Tipper Side Tipper Tip Over-Axle Bottom Dump Logging/Jinker Livestock Hauler Double Stacker Bulk Hauler Road Train Dolly Low Loader Widening Float Mining Sugar/Stock

# SUSPENSION APPLICATION CHART

AIR SUSPENSION					WALKING BEAM & ARGONAUT
Duratrac	Tecair FB VRH	Tecair 1	Tecair 2	Tecair Z	
10T	10T	11T (Heavy Duty)	9T	9T	40T (Max) @ 30Kph (Walking Beam) 100T (Max) @ 10Kph (Argonaut)
Mainly on road use (>80%), suit quarry app.	Mainly on road use (>80%), suit quarry app.	On & off road use	On & off road use	On & off road use	Off road H/D use
Not suited for: rigid tanker (i.e. pressure vessel), logging/jinker & high centre of gravity loads	Not suited for: rigid tanker (i.e. pressure vessel), logging/jinker & high centre of gravity loads	Suit arduous outback terrain	Not for arduous outback terrain		Suit high axle loading in arduous outback terrain
		Suits high centre of gravity loads	Not suited for high centre of gravity loads	Suits high centre of gravity loads	
'B' Double/Triple	'B' Double/Triple	'B' Double/Triple	'B' Double/Triple	'B' Double/Triple	Bogie
Flat Top (Semi)	Flat Top (Semi)	Flat Top (Semi)	Flat Top (Semi)	Flat Top (Semi)	Logging/Jinker
Drop Deck	Drop Deck	Drop Deck	Drop Deck	Drop Deck	Low Loader
Pig And Dog	Pig And Dog	Pig And Dog	Pig And Dog	Pig And Dog	Mining
Curtain Sider (Taut Liner)	Curtain Sider (Taut Liner)	Curtain Sider (Taut Liner)	Curtain Sider (Taut Liner)	Curtain Sider (Taut Liner)	
Skeletal	Skeletal	Skeletal	Skeletal	Skeletal	
Tanker (Non Rigid)	Tanker (Non Rigid)	Tanker	Tanker	Tanker	
Reefer	Reefer	Reefer	Reefer	Reefer	
Tipper	Tipper	Tipper	Tipper	Tipper	
Dry Freight Van	Dry Freight Van	Dry Freight Van	Dry Freight Van	Dry Freight Van	
Tip Over-Axle	Tip Over-Axle	Side Tipper	Side Tipper	Refrigerated Van	
Bottom Dump	Bottom Dump	Tip Over-Axle	Tip Over-Axle	Side Tipper	
Dolly	Dolly	Bottom Dump	Bottom Dump	Tip Over-Axle	
Low Loader	Low Loader	Logging/Jinker	Logging/Jinker	Bottom Dump	
Widening Float	Widening Float	Livestock Hauler	Dolly	Logging/Jinker	
Walking Floor	Walking Floor	Double Stacker	Low Loader	Livestock Hauler	
		Road Train	Widening Float	Double Stacker	
		Dolly	Walking Floor	Road Train	
		Low Loader		Dolly	
		Widening Float		Low Loader	
		Walking Floor		Widening Float	
				Walking Floor	





## 2570 P22 MFL DISC AXLES

Item	Part Number	Description	Qty per axle
1	79787420	Disc brake pads (axle set)	1
2	79787421	Disc brake caliper L/H	1
3	79787422	Disc brake caliper R/H	1
4	49LNM1615	Nyloc nut M16x1.5	4
5	797874301624	Spring brake chamber 16/24	2
		Spring brake chamber 18/24	2
	797874302024	Spring brake chamber 20/24	2
	797873501424L & R	Spring brake chamber 14/24	2
	797873501624L & R	Spring brake chamber 16/24	2
		Spring brake chamber 18/24	2
	797873502024	Spring brake chamber 20/24	2
		Spring brake chamber 24/24	2
		Brake chamber type 14	2
	7978735416	Brake chamber type 16	2
	7978735420	Brake chamber type 20	2
	7978735422	Brake chamber type 22	2
	7978735424	Brake chamber type 24 (use 3/8 fitting)	2
	797874461216	Spring brake chamber 12/16	2
	797874461416	Spring brake chamber 14/16	2
6	92791607	Airbag fitting chamber (for 79787430/suffix chamber)	2
		Airbag fitting assy chamber (for 79787350/suffix chamber)	2
7	49HBM08125025P	Hub cap stud M8x25mm	12
8	49AW5116P	Spring washer 5/16"	12
9	79789196YORK	Hub cap assy - MFL	2
	7978919601YORK	Hub cap - MFL	2
10	7978919602	Hub cap o-ring - MFL	2

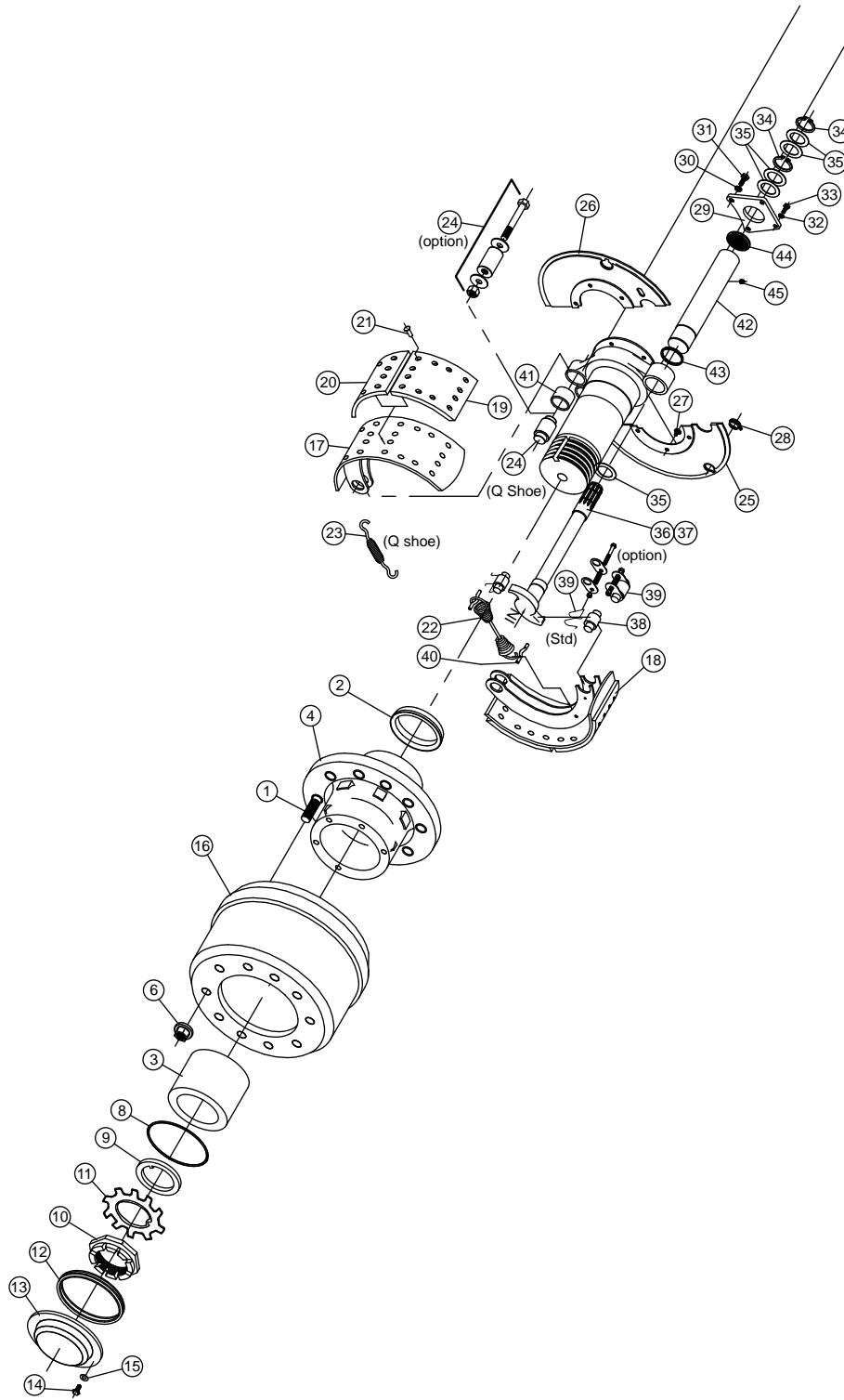
Item	Part Number	Description	Qty per axle
11	79789202	Spindle castellated nut - 3.5"	2
12	79787999	Locktab washer	2
13	797888901	Spindle thrust washer	2
14	79789198	Bearing lock ring	2
15	79789193	Unitised bearing	2
16	49SHM16200040	Rotor mounting bolt M16x40	20
17	7950291701	Wheel nut M22 ISO	20
18	79789186	Steel hub 10x285 pcd	2
	7910018609	Steel hub 10x335 pcd	2
		Alum hub 10x285 pcd	2
	79SB789186117	Hub assy 10x285 pcd 117mm	2
	79SB789228117	Hub assy 10x335 pcd 117mm	2
19	7979215601	Wheel stud SAE M22x117mm	2
20	79789121	Disc brake rotor - dia 430 ABS Steel hub	2
22	79789194MFL	Hub seal	2
23	79787406	ABS sensor mounting bush dia 30 Steel hub	2
24	79ABS002	ABS sensor pole bush	2
25		ABS sensor straight cable	2
26	79787360	High tensile washer M16	12
27	49HBM16150045	Caliper mounting bolt M16x45	12
28	79787365	Caliper guide pin & seal repair kit	1
#	79ABS005	ABS sensor pole kit (steel hub)	1
#	79789117	Brake caliper mounting bracket	2
#	7978736601	Offset brake booster mount	2

### Legend

**	Optional part available for an axle build or spare part only
#	Part available but not shown on spare parts diagram

# 2582 MFL DRUM AXLES

AXLE TYPES 2582 MFL



## 2582 MFL DRUM AXLES

Item	Part Number	Description	Qty per axle
1	7979215601	Wheel stud SAE M22x117mm	20
	79792155 **	Wheel stud SAE M22x100mm	20
2	79789194MFL	Hub seal	2
3	79789193	Unitised bearing	2
4	79789180	Steel hub 10x285 pcd MFL	2
	79SB789180117	Hub assy 10x285 pcd 117mm	2
6	7950291701	Wheel nut M22 ISO	20
8	79789198	Bearing lock ring	2
9	797888901	Spindle thrust washer	2
10	79789202	Spindle castellated nut - 3.5"	2
11	79787999	Locktab washer	2
12	7978919602	Hub cap o-ring - MFL	2
13	79789196YORK	Hub cap assy - MFL	2
	7978919601YORK	Hub cap - MFL	2
14	49HBM08125025P	Hub cap stud M8x25mm	12
15	49SWM08	Washer M8 - hub cap stud	12
16	79786875	Brake drum 10x285 pcd	2
17	79787525	Unlined brake shoe - 'Q'	2
18	79SB78790202HD23	Lined brake shoe - 'Q' brake	2
19		Lining - cam end	2
20		Lining - anchor end	2
21		Rivet	
22	79786289	Return spring - cam end	2
23	79787527	Return spring - anchor end 'Q'	2
24	79787526	Anchor pin 'Q'	2
	79787997 **	Anchor pin - 'P' bolt on short	2
	79787723 **	Anchor pin - 'P' bolt on long	2
25	79786336	Dust cover - RH	2
26	79786335	Dust cover - LH	2
27		Screw dust cover M8x12	12
28	79500848	Plug dust cover	2
29	79787590	Enclosed cam tube mtg plate	2

Item	Part Number	Description	Qty per axle
30	49AWM12P	Lockwasher M12	12
31	49HBM12175020	Hex bolt M12x20	12
32	49AWM10P	Lockwasher M10	6
33	49HBM10150020	Hex bolt M10x20	6
34	79500374	Camshaft circlip	2
35	79500358	Camshaft washer	2
36	7950472317RHT	Camshaft RH (long) 627mm	1
	7950472317LHT	Camshaft LH (long) 627mm	1
38	7950035601	Cam roller 1 1/4" knurled	2
39	79500373	Cam roller retainer spring	2
	79787722 **	Cam roller retainer - bolt on	2
40	79500372	Return spring retainer	2
41	79501787	Anchor pin bush	2
42	79SB78852817	Enclosed cam tube (long) 627mm	2
43	79787721	Seal - hub end enclosed cam	2
44	79500375	'O' Ring Seal - inner end enclosed cam	4
45	79786885	Grease nipple - 6mm straight	3
#	79787905	Manual slack adjuster - 5/6/7"	2
#	7921104	Automatic slack adjuster - 5/6/7"	2
#	79786330	Slack adjuster return spring	2
#	79786220	Inner cam bracket	2
#	79ABS001	ABS sensor pole kit	1
#	79790347	ABS pole wheel - 100T MFL	2
#	79560464	ABS sensor pole bush	2
#	79550395	ABS sensor	2
#	7978887304	ABS sensor pole mounting block	2
#	79506221	Booster bracket	2
#	79786275	Brake spider	2
#	7978790117	Enclosed cam kit - long cam	2

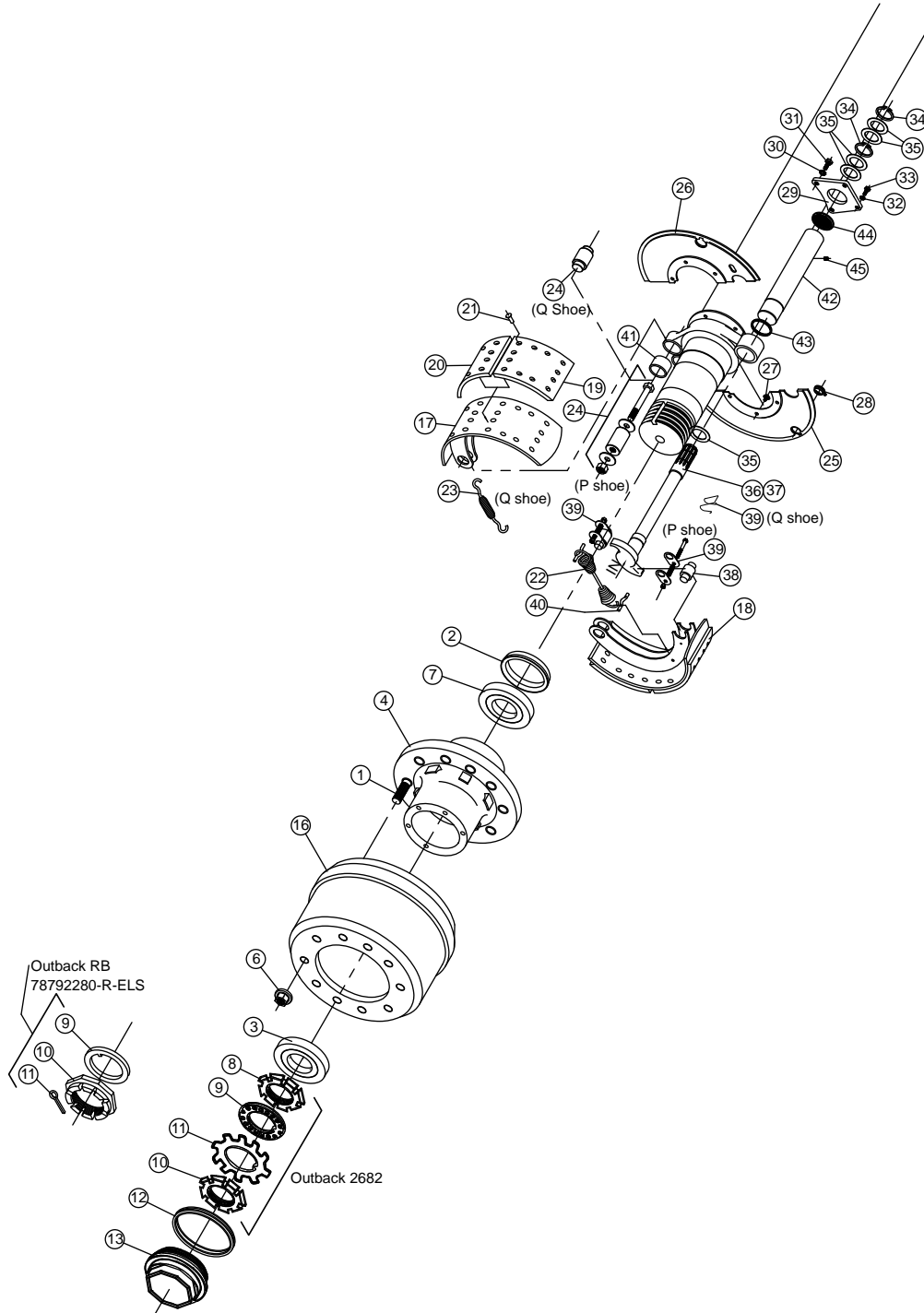
### Legend

\*\* Optional part available for an axle build or spare part only

# Part available but not shown on spare parts diagram

# 2682 / RB / 2685 OUTBACK STUD TYPE DRUM AXLES

**OUTBACK AXLE TYPES** 2682, 2685 and 78792280/R/ELS  
 420 x 180 'S' CAM BRAKES - DUAL STUD TYPE HUBS



2682 / RB / 2685 Outback Stud Type Drum Axles

## 2682 / RB / 2685 OUTBACK STUD TYPE DRUM AXLES

Item	Part Number	Description	Qty per axle
1	7979215601	Wheel stud SAE M22x117mm	20
2	79786918	Hub seal - 2682 TP	2
	79A789008	Hub seal - 78792280 RB	2
3	7978793801	Bearing (cone) - HM518445	2
	79A787938CONE	Bearing (cone) - RB	2
		Bearing (cone) - NP174964 preset	2
	7978793802	Bearing (cup) - HM518410	2
		Bearing (cup) - RB	2
		Bearing (cup) - NP593561 preset	2
4	79789141	Steel hub 10x285 pcd	2
	79104940	Alum hub 10x285 pcd preset	2
	79787934	Hub/drum assy 10x285 pcd	2
	79787937	Hub/drum assy 10x335 pcd	2
6	7950291701	Wheel nut M22 ISO	20
8	7978799801	Spindle nut - 2682 TP 3.5"	2
9	79792024	Spindle lock washer - 2682	2
	79789016	Spindle lock washer - RB	2
10	7978799801	Spindle locknut 2682 TP 3.5"	2
	7978889001	Spindle castellated nut 3.48"	2
11	79787999	Locktab washer - 2682	2
	79788891	Split pin - RB 8x50	2
12		Hub cap seal - plastic hub cap	2
		Hub cap o-ring - steel hub cap	2
13	79789287	Hub cap - grease threaded plastic	2
	79789287 **	Hub cap - grease threaded steel	2
		Hub cap - oil threaded plastic	2
16	79786875	Brake drum 10x285 pcd	2
		Brake drum 10x335 pcd	2
17		Unlined brake shoe - 'P'	4
18		Unlined brake shoe - 'Q'	4
		Lined brake shoe - 'P' brake	4
19	79SB78790202HD23	Lined brake shoe - 'Q' brake	4
20		Lining - cam end	4
21		Lining - anchor end	4
22		Rivet	
23	79786289	Return spring - cam end	2
24	79787527	Return spring - anchor end 'Q'	2
	79787723	Anchor pin - 'P' bolt on long	2
	79787526	Anchor pin 'Q'	2
25	79786336	Dust cover - RH	2
26	79786335	Dust cover - LH	2
27	49FHM08125016	Screw dust cover M8x16	12

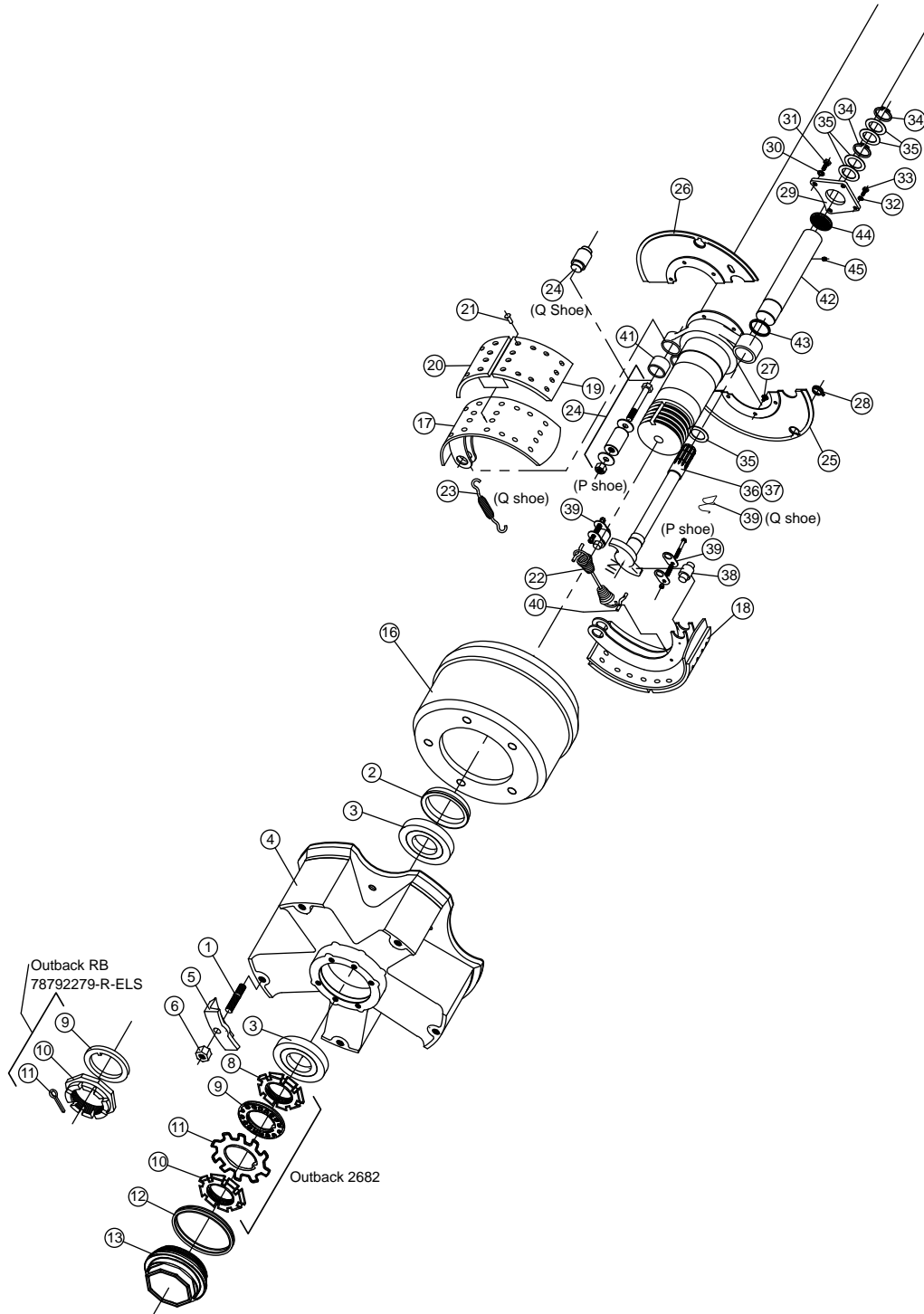
Item	Part Number	Description	Qty per axle
28	79500848	Plug dust cover	2
29	79787590	Enclosed cam tube mtg plate	2
30	49AWM12P	Lockwasher M12	6
31	49HBM12175020	Hex bolt M12x20	6
32	49AWM10P	Lockwasher M10	6
33	49HBM10150020	Hex bolt M10x20	6
34	79500374	Camshaft circlip	2
35	79500358	Camshaft washer	2
36	7950472317RHT	Camshaft RH (long) 627mm	2
	7950472317LHT	Camshaft LH (long) 627mm	2
37	7950472301RHT **	Camshaft LH (short) 525mm	2
	7950472301LHT **	Camshaft LH (long) 525mm	2
38	7950035601	Cam roller 1 1/4" knurled	2
39	79787722	Cam roller retainer - bolt on	2
	79500373	Cam roller retainer spring - 'Q'	2
40	79500372	Return spring retainer	2
41	79501787	Anchor pin bush	2
42	79SB78852817	Enclosed cam tube (long) 627mm	2
	79SB78852801	Enclosed cam tube (short) 525mm	2
43	79787721	Seal - hub end enclosed cam	2
44	79500375	'O' Ring Seal - inner end enclosed cam	2
45	79786885	Grease nipple - 6mm straight	4
#	79792103	Retaining plate 'P' brake	2
#	79787905	Manual slack adjuster - 5/6/7"	2
#	7921104	Automatic slack adjuster - 5/6/7"	2
#	79786330	Slack adjuster return spring	2
#	79786220	Inner cam bracket	2
#	79ABS001	ABS sensor pole kit	1
#	79788871	ABS pole wheel - 100 tooth	2
#	79560464	ABS sensor pole bush	2
#	79550395	ABS sensor	2
#	7978887303	ABS sensor pole mounting block	2
#	7965503	Hub cap window kit	2
#	79506221	Booster bracket	2
#	79786275	Brake spider	2
#	7978790117	Enclosed cam kit - long cam	1
#	7978790101	Enclosed cam kit - short cam	1
#		Spacer band - 20x4"	2
#	79787724	Reinforcing collar 'P' brake	2
#	79SB792302	Preset kit	

### Legend

**	Optional part available for an axle build or spare part only
#	Part available but not shown on spare parts diagram

# 2682 / RB OUTBACK SPIDER DRUM AXLES

**OUTBACK AXLE TYPES** 2682 and 78792279/R/ELS RB  
 420 x 180 'S' CAM BRAKES - DUAL SPIDER HUBS



2682 / RB Outback Spider Drum Axles

## 2682 / RB OUTBACK SPIDER DRUM AXLES

Item	Part Number	Description	Qty per axle
1		Wheel stud 3/4" UNC	20
		Wheel stud 3/4" UNC	20
2	79786918	Hub seal - 2682 TP	2
	79A789008	Hub seal - 78792280 RB	2
3	7978793801	Bearing (cone) - HM518445	2
	79A787938CONE	Bearing (cone) - RB	2
	7978793802	Bearing (cup) - HM518410	2
4		Bearing (cup) - RB	2
	79SB789172A	Hub/drum assy - dual spider	2
		Spider hub - dual	2
		Hub/drum assy - dual spider	2
5		Spider hub - dual	2
		Rim clamp - dual	2
6	79786869	Rim clamp - dual	2
		Spider wheel nut 3/4" UNC	12
8	79787932	Spider wheel nut 3/4" UNC	12
	7978799801	Spindle nut - 2682 TP 3.5"	2
9	79792024	Spindle lock washer - 2682	2
	79789016	Spindle lock washer - RB	2
10	7978799801	Spindle locknut 2682 TP 3.5"	2
	7978889001	Spindle castellated nut 3.48"	2
11	79787999	Locktab washer - 2682	2
	79788891	Split pin - RB 8x50	2
12		Hub cap seal - plastic hub cap	2
		Hub cap o-ring - steel hub cap	2
13	79789287	Hub cap - grease threaded plastic	2
		Hub cap - grease threaded steel	2
		Hub cap - oil threaded plastic	2
16		Brake drum - dual spider	2
		Brake drum - dual spider	2
17	7950290601	Unlined brake shoe - 'P'	2
	79787525	Unlined brake shoe - 'Q'	2
18		Lined brake shoe - 'P' brake	2
		Lined brake shoe - 'Q' brake	2
19		Lining - cam end	2
20	7978628202HD23	Lining - anchor end	2
21		Rivet	2
22	79786289	Return spring - cam end	2
23	79787527	Return spring - anchor end 'Q'	2
24	79787723	Anchor pin - 'P' bolt on long	2
	79787526	Anchor pin 'Q'	2
25	79786336	Dust cover - RH	2
26	79786335	Dust cover - LH	2

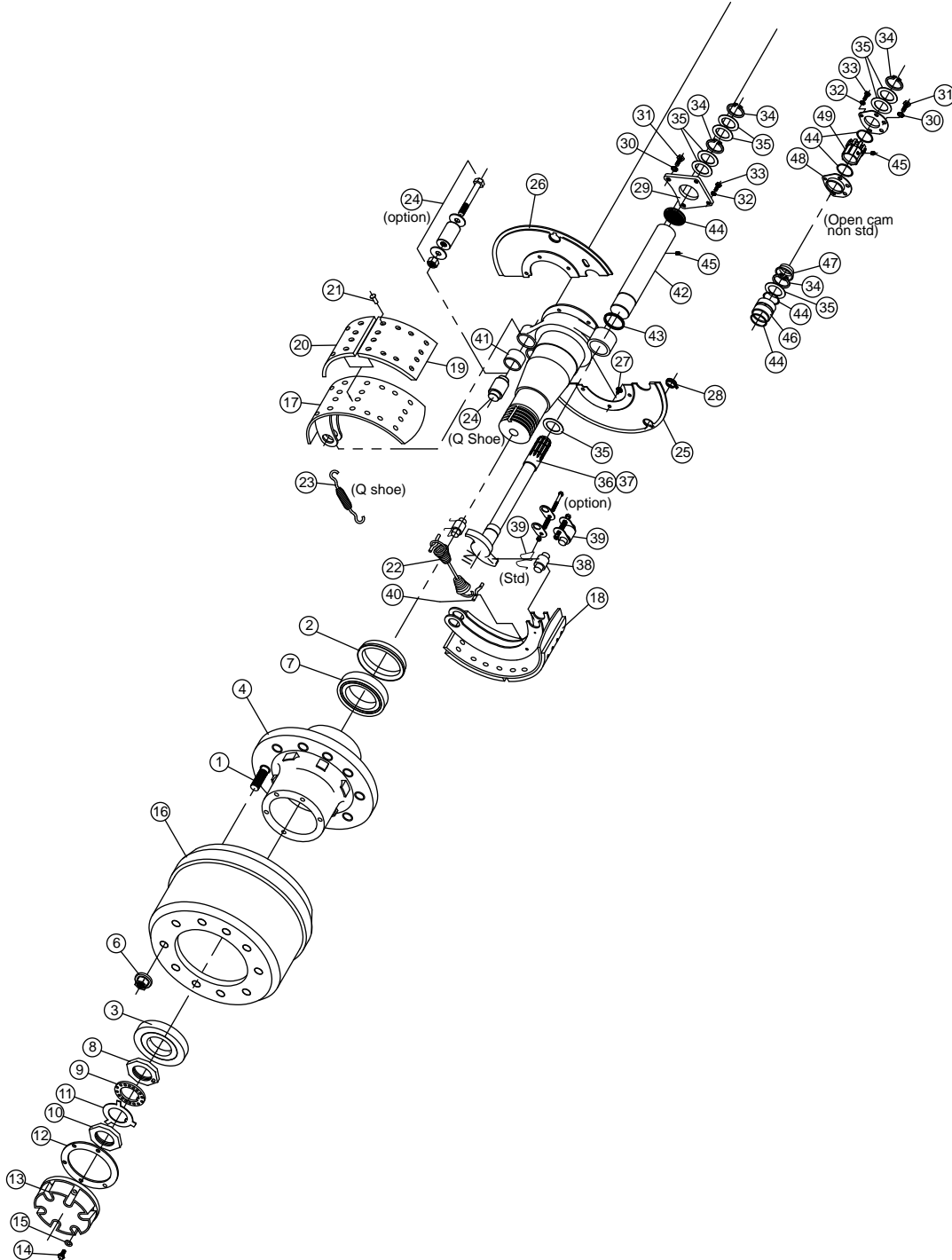
Item	Part Number	Description	Qty per axle
27	49FHM08125016	Screw dust cover M8x16	12
28	79500848	Plug dust cover	2
29	79787590	Enclosed cam tube mtg plate	2
30	49AWM12P	Lockwasher M12	12
31	49HBM12175020	Hex bolt M12x20	12
32	49AWM10P	Lockwasher M10	6
33	49HBM10150020	Hex bolt M10x20	6
34	79500374	Camshaft circlip	2
35	79500358	Camshaft washer	2
36	7950472317RHT	Camshaft RH (long) 627mm	1
	7950472317LHT	Camshaft LH (long) 627mm	1
37	7950472301RHT **	Camshaft LH (short) 525mm	1
	7950472301LHT **	Camshaft LH (long) 525mm	1
38	7950035601	Cam roller 1 1/4" knurled	2
39	79787722	Cam roller retainer - bolt on	2
	79500373	Cam roller retainer spring - 'Q'	2
40	79500372	Return spring retainer	2
41	79501787	Anchor pin bush	2
42	79SB78852817	Enclosed cam tube (long) 627mm	2
	79SB78852801	Enclosed cam tube (short) 525mm	2
43	79787721	Seal - hub end enclosed cam	2
44	79500375	'O' Ring Seal - inner end enclosed cam	2
45	79786885	Grease nipple - 6mm straight	4
#	79792103	Retaining plate 'P' brake	2
#	79787905	Manual slack adjuster - 5/6/7"	2
#	7921104	Automatic slack adjuster - 5/6/7"	2
#	79786330	Slack adjuster return spring	2
#	79786220	Inner cam bracket	2
#	79ABS001	ABS sensor pole kit	1
#	79788871	ABS pole wheel - 100 tooth	2
#	79560464	ABS sensor pole bush	2
#	79550395	ABS sensor	2
#	7978887303	ABS sensor pole mounting block	2
#	7965503	Hub cap window kit	2
#	79506221	Booster bracket	2
#	79786275	Brake spider	2
#	7978790117	Enclosed cam kit - long cam	1
#	7978790101	Enclosed cam kit - short cam	1
#		Spacer band - 20x4"	2
#	79787724	Reinforcing collar 'P' brake	2

### Legend

**	Optional part available for an axle build or spare part only
#	Part available but not shown on spare parts diagram

# 2782 / 2784 / RB / 2785 STUD TYPE DRUM AXLES

**AXLE TYPES** 2782, 2784, 2785 and 78792157/59/R/ELS RB  
 420 x 180 'S' CAM BRAKES  
 DUAL and SUPER SINGLE STUD TYPE HUBS



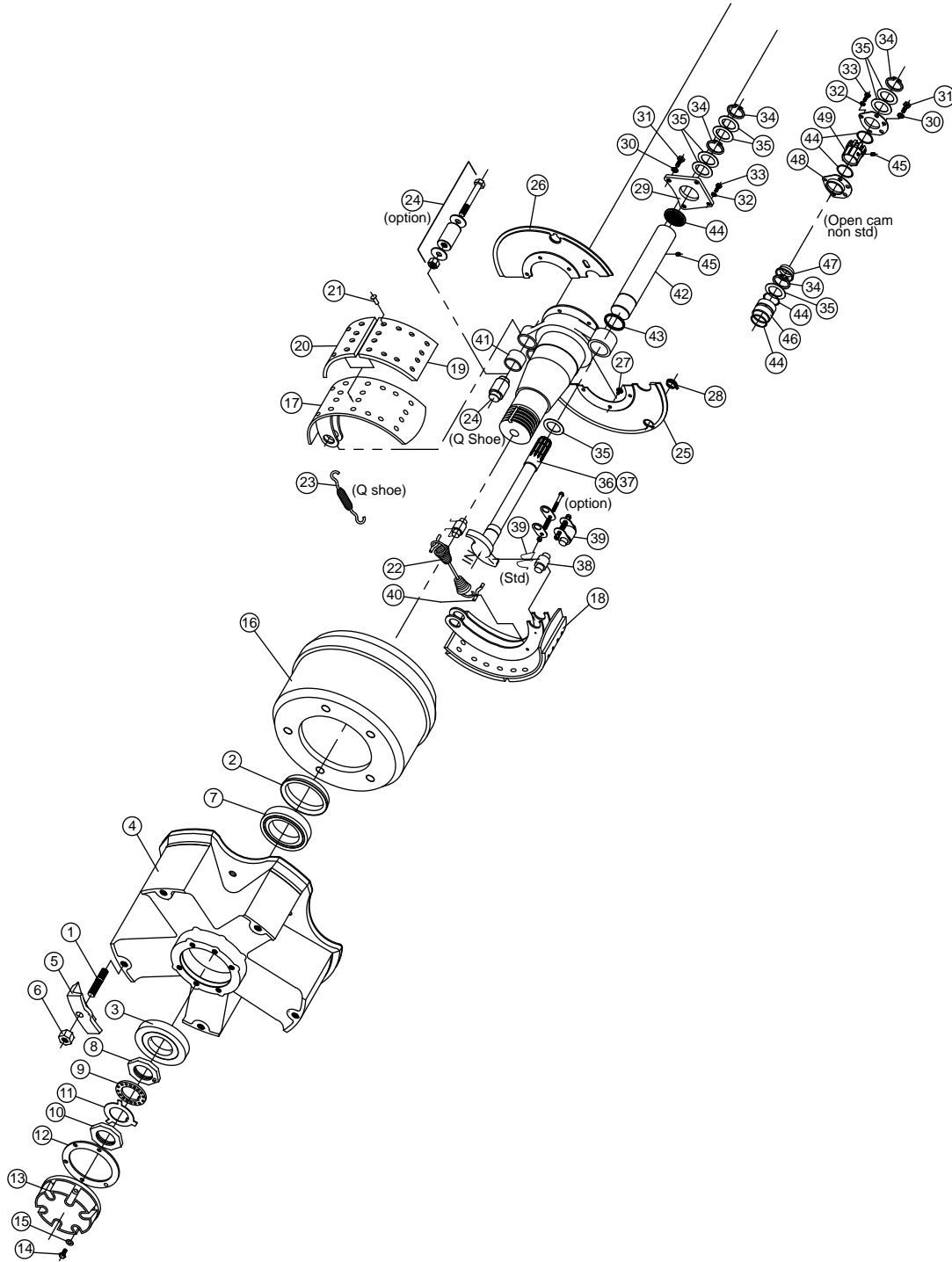


# 2782 / 2784 / RB / 2785 STUD TYPE DRUM AXLES

Item	Part Number	Description	Qty per axle	Item	Part Number	Description	Qty per axle
1	7979215601	Wheel stud SAE M22x117mm	20	24	79787526	Anchor pin 'Q'	2
	79792155 **	Wheel stud SAE M22x100mm	20		79787997 **	Anchor pin - 'P' bolt on short	2
	79786506	Wheel stud Jap RH M20	12/16		79787723 **	Anchor pin - 'P' bolt on long	2
	79786507	Wheel stud Jap LH M20	12/16	25	79786336	Dust cover - RH	2
		Wheel stud M22 short AL hub	20		26	79786335	Dust cover - LH
	79102190	Wheel stud M22 long AL hub 126mm	20	27	49FHM08125016	Screw dust cover M8x12	12
2	79786114	Hub seal	2	28	79500848	Plug dust cover	2
	79991067 **	Hub seal preset	2	29	79787590	Enclosed cam tube mtg plate	2
3	797865101	Outer bearing (cone) TN HM212049	2	30	49AWM12P	Lockwasher M12	12
	797865102	Outer bearing (cup) TN HM212011	2	31	49HBM12175020	Hex bolt M12x20	12
		Outer bearing (cone) preset HM212049/04 or NP899357	2	32	49AWM10P	Lockwasher M10	6
	7978795502	Outer bearing (cup) preset HM212011/04 or NP026773	2	33	49HBM10150020	Hex bolt M10x20	6
4	79787531	Steel hub 10x285 pcd	2	34	79500374	Camshaft circlip	2
	79787712	Steel hub 10x335 pcd	2	35	79500358	Camshaft washer	2
	79787891	Steel hub 8x285 pcd Jap	2	36	7950472317RHT	Camshaft RH (long) 627mm	1
	7910005480	Alum hub 10x285pcd preset	2		7950472317LHT	Camshaft LH (long) 627mm	1
	7910036738	Alum hub 10x335pcd preset	2	37	7950472301RHT **	Camshaft RH (short) 525mm	1
	Steel hub 10x335 pcd (pre '95)	2		7950472301LHT **	Camshaft LH (short) 525mm	1	
6	7950291701	Wheel nut M22 ISO	20	38	7950035601	Cam roller 1 1/4" knurled	4
	79790001	Japanese wheel nut set RH	6	39	79500373	Cam roller retainer spring	2
	79790002	Japanese wheel nut set LH	6		79787722 **	Cam roller retainer - bolt on	2
7	7978611701	Inner bearing (cone) TN HM218248	2	40	79500372	Return spring retainer	2
	7978611702	Inner bearing (cup) TN HM218210	2	41	79501787	Anchor pin bush	2
		Inner bearing (cone) preset HM218248/04 or NP965350	2	42	79SB78852817	Enclosed cam tube (long) 627mm	2
	7978795601	Inner bearing (cup) preset HM218210/04 or NP503727	2		Enclosed cam tube (short) 525mm	2	
	7978795602	Inner bearing (cup) preset HM218210/04 or NP503727	2	43	79787721	Seal - hub end enclosed cam	2
8	79502461	Spindle nut	2	44	79500375	'O' Ring Seal - inner end enclosed cam	2
9	79501123	Spindle lockwasher	2	45	79786885	Grease nipple - 6mm straight	4
10	79502462	Spindle locknut	2		79792107	Grease nipple - 1/8"BSP straight	4
11	79790044	Locktab washer	2	46	79787923	Outer cam bush	2
12	79787719	Gasket - 6 hole hub cap	2	47	79500686	Dust seal	2
13	79501715	Hub cap - grease 6 hole	2	48	79500363	Spherical bush housing	2
	79501785 **	Hub cap - oil 6 hole	2	49	79500362	Spherical bush	2
	79786215	Hub cap - grease 3 hole	6	#	79787905	Manual slack adjuster - 5/6/7"	2
14	49HBM08125025P	Hub cap stud M8x25mm	12	#	7921104	Automatic slack adjuster - 5/6/7"	2
	49HB516UNC100	Hub cap stud 5/16" UNCx1"	12	#	79786330	Slack adjuster return spring	2
15	49AW516P	Washer 5/16" - hub cap stud	12	#	79786220	Inner cam bracket	2
	79786875	Brake drum 10x285 pcd	2	#	79ABS001	ABS sensor pole kit	1
16	79787571	Brake drum 10x335 pcd	2	#	79788871	ABS pole wheel - 100T (steel hub)	2
	79790204	Brake drum 8x285 pcd Jap	2	#	79105459	ABS pole wheel - 100T (alum hub)	2
		Brake drum 10x335 pcd	2	#	7978887303	ABS sensor pole mounting block	2
		Brake drum 10x285 pcd	2	#	7965503	Hub cap window kit	1
	79792328	Brake drum 10x285 pcd Cfuse	2	#	79506221	Booster bracket	2
17	79787525	Unlined brake shoe - 'Q'	4	#	79786275	Brake spider	2
	7950290601 **	Unlined brake shoe - 'P'	4	#	7978790117	Enclosed cam kit - long cam	1
18	79SB78790202HD23	Lined brake shoe - 'Q' brake	4	#	7978790101	Enclosed cam kit - short cam	1
	79SB50206402HD23 **	Lined brake shoe - 'P' brake	4	#	79787904	Non enclosed cam repair kit	1
19		Lining - cam end	4	#	79104144	Preset hub bearing spacer	2
20		Lining - anchor end	4	#	79SB792312	Preset bearing kit	1
21		Rivet		#	79ABS004	Complete ABS kit alloy hub	1
22	79786289	Return spring - cam end	2	#	79ABS003	Complete ABS kit steel hub	1
23	79787527	Return spring - anchor end 'Q'	2	<b>Legend</b>			
				**	Optional part available for an axle build or spare part only		
				#	Part available but not shown on spare parts diagram		

# 2782 / 2784 RB SPIDER DRUM AXLES

**AXLE TYPES** 2782 and 2784 and 78792158/R/ELS RB  
 420 x 180 'S' CAM BRAKES  
 DUAL and SUPER SINGLE SPIDER HUBS



## 2782 / 2784 RB SPIDER DRUM AXLES

Item	Part Number	Description	Qty per axle
1	79787581	Wheel stud 34" UNC	6
2	79786114	Hub seal	2
3	797865101	Outer bearing (cone) TN HM212049	2
	797865102	Outer bearing (cup) TN HM212011	2
4		Spider hub assy - dual	2
	7978794501	Hubdrum assy - dual spider	2
		Spider hub assy - supersingle	2
5	79786869	Rim clamp - dual	5
		Rim clamp - super single	5
6	79787582	Spider wheel nut 34" UNC	5
7	7978611701	Inner bearing (cone) TN HM218248	2
	7978611702	Inner bearing (cup) TN HM218210	2
8	79502461	Spindle nut	2
9	79501123	Spindle lockwasher	2
10	79502462	Spindle locknut	2
11	79790044	Locktab washer	2
12	79787719	Gasket - 6 hole hub cap	2
13	79501715	Hub cap - grease 6 hole	2
	79501785 **	Hub cap - oil 6 hole	2
14	49HB516UNC100	Hub cap stud 516" UNCx1"	12
15	49AW516P	Washer 516" - hub cap stud	12
16	79787580	Brake drum - dual spider	2
		Brake drum - supersingle	2
17		Unlined brake shoe - 'Q'	4
		Unlined brake shoe - 'P'	2
18	79SB78790202HD23	Lined brake shoe - 'Q' brake	4
	79SB50206402HD23 **	Lined brake shoe - 'P' brake	4
19		Lining - cam end	4
20		Lining - anchor end	4
21		Rivet	
22	79786289	Return spring - cam end	2
23	79787527	Return spring - anchor end 'Q'	2
24	79787526	Anchor pin 'Q'	2
	79787997 **	Anchor pin - 'P' bolt on short	2
	79787723 **	Anchor pin - 'P' bolt on long	2
25	79786336	Dust cover - RH	2
26	79786335	Dust cover - LH	2
27	49FHM08125016	Screw dust cover M8x12	12
28	79500848	Plug dust cover	2
29	79787590	Enclosed cam tube mtg plate	2

Item	Part Number	Description	Qty per axle
30	49AWM12P	Lockwasher M12	4
31	49HBM12175020	Hex bolt M12x20	4
32	49AWM10P	Lockwasher M10	4
33	49HBM10150020	Hex bolt M10x20	4
34	79500374	Camshaft circlip	2
35	79500358	Camshaft washer	2
36	7950472317RHT	Camshaft RH (long) 627mm	2
	7950472317LHT	Camshaft LH (long) 627mm	2
37	7950472301RHT **	Camshaft RH (short) 525mm	2
	7950472301LHT **	Camshaft LH (short) 525mm	2
38	7950035601	Cam roller 1 1/4" knurled	4
39	79500373	Cam roller retainer spring	2
	79787722 **	Cam roller retainer - bolt on	2
40	79500372	Return spring retainer	2
41	79501787	Anchor pin bush	2
42	79SB78852817	Enclosed cam tube (long) 627mm	2
	79SB78852801	Enclosed cam tube (short) 525mm	2
43	79787721	Seal - hub end enclosed cam	2
44	79500375	'O' Ring Seal - inner end enclosed cam	2
45	79786885	Grease nipple - 6mm straight	4
	79792107	Grease nipple - 1/8"BSP Straight	4
46	79787923	Outer cam bush	2
47	79500686	Dust seal	2
48	79500363	Spherical bush housing	2
49	79500362	Spherical bush	2
#	79787905	Manual slack adjuster - 5/6/7"	2
#	7921104	Automatic slack adjuster - 5/6/7"	2
#	79786330	Slack adjuster return spring	2
#	79786220	Inner cam bracket	2
#	79ABS001	ABS sensor pole kit	1
#	7978887303	ABS sensor pole mounting block	2
#	7965503	Hub cap window kit	2
#	79506221	Booster bracket	2
#	79786275	Brake spider	2
#	7978790117	Enclosed cam kit - long cam	1
#	7978790101	Enclosed cam kit - short cam	1
#	79787904	Non enclosed cam repair kit	1
#	79ABS003	Complete ABS kit	1

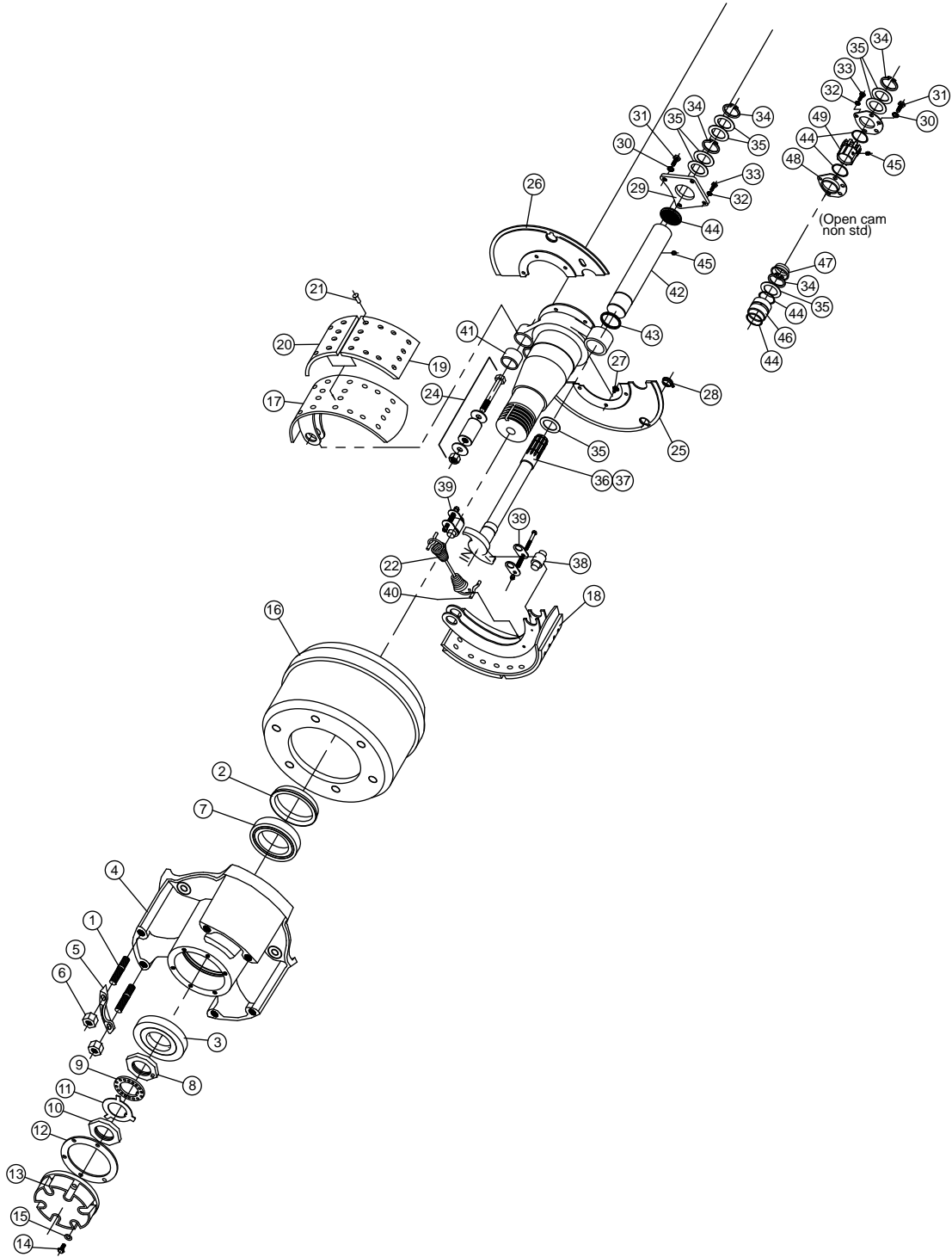
### Legend

**	Optional part available for an axle build or spare part only
#	Part available but not shown on spare parts diagram

# 2783 DRUM AXLES

AXLE TYPE 2783, 17.5" AXLE - 311 x 178 'S' CAM BRAKES

AXLE TYPE 2954, 15" AXLE - 311 x 127 'S' CAM BRAKES



# 2783 DRUM AXLES

Item	Part Number	Description	Qty per axle	
1	79792155	Wheel stud SAE M22x100mm	12/20	
	7979215601	Wheel stud SAE M22x117mm	12/20	
	79786506	Wheel stud Jap RH M20	6	
	79786507	Wheel stud Jap LH M20	6	
	79787581	Wheel stud 3/4" UNC	6	
2	79786114	Hub seal	2	
3	797865101	Outer bearing (cone) TN HM212049	2	
	797865102	Outer bearing (cup) TN HM212011	2	
4	79SB792161	Steel hub 10x225 pcd (l/B)	2	
	79792316	3 spoke spider hub - dual	2	
		3 spoke spider hub - dual	2	
	79SB792313	Spider hub/drum assy	2	
		Spider hub/drum assy	2	
	79787595	Steel hub 6x222 pcd	2	
5	793314	Rim clamp	2	
6	7950291701	Wheel nut M22 ISO	20	
	79787582	Wheel nut 3/4" UNC	12	
	79790001	Japanese wheel nut set RH	6	
	79790002	Japanese wheel nut set LH	6	
7	7978611701	Inner bearing (cone) TN HM218248	2	
	7978611702	Inner bearing (cup) TN HM218210	2	
8	79502461	Spindle nut	2	
9	79501123	Spindle lockwasher	2	
10	79502462	Spindle locknut	2	
11	79790044	Locktab washer	2	
12	79787719	Gasket - 6 hole hub cap	2	
13	79501715	Hub cap - grease 6 hole	2	
	79501785**	Hub cap - oil 6 hole	2	
	79786215	Hub cap - grease 3 hole	2	
14	49HBM08125025P	Hub cap stud M8x25mm	12	
	49HB516UNC100	Hub cap stud 5/16" UNCx1"	12	
15	49AW516P	Washer 5/16" - hub cap stud	12	
	16	79792164	Brake drum 10x225 pcd (l/B) 311x178	2
		†	Brake drum 10x225 pcd (l/B) 311x127	2
		7978797301 †	Brake drum 10x225 pcd (l/B) 311x127 (narrow) Ro8	2
		79792317	Brake drum 15" spider	2
		Brake drum 15" spider	2	
	79787598	Brake drum 6x222 pcd (l/B) 311x178	2	
	†	Brake drum 6x222 pcd (l/B) 311x127	2	
17	7950224602	Unlined brake shoe 311x178	4	
	†	Unlined brake shoe 311x127	4	
18	7950224602	Lined brake shoe 311x178	4	
	†	Lined brake shoe 311x127	4	
19	7950157002	Lining cam 311x178	4	
	†	Lining cam end 311x127	4	
20	7950157202	Lining anchor 311x178	4	
	†	Lining anchor end 311x127	4	
21		Rivet		
22	79501551	Return spring	2	
24	79787997	Anchor pin - 'P' bolt on short	2	
25	79501576	Dust cover - RH	2	

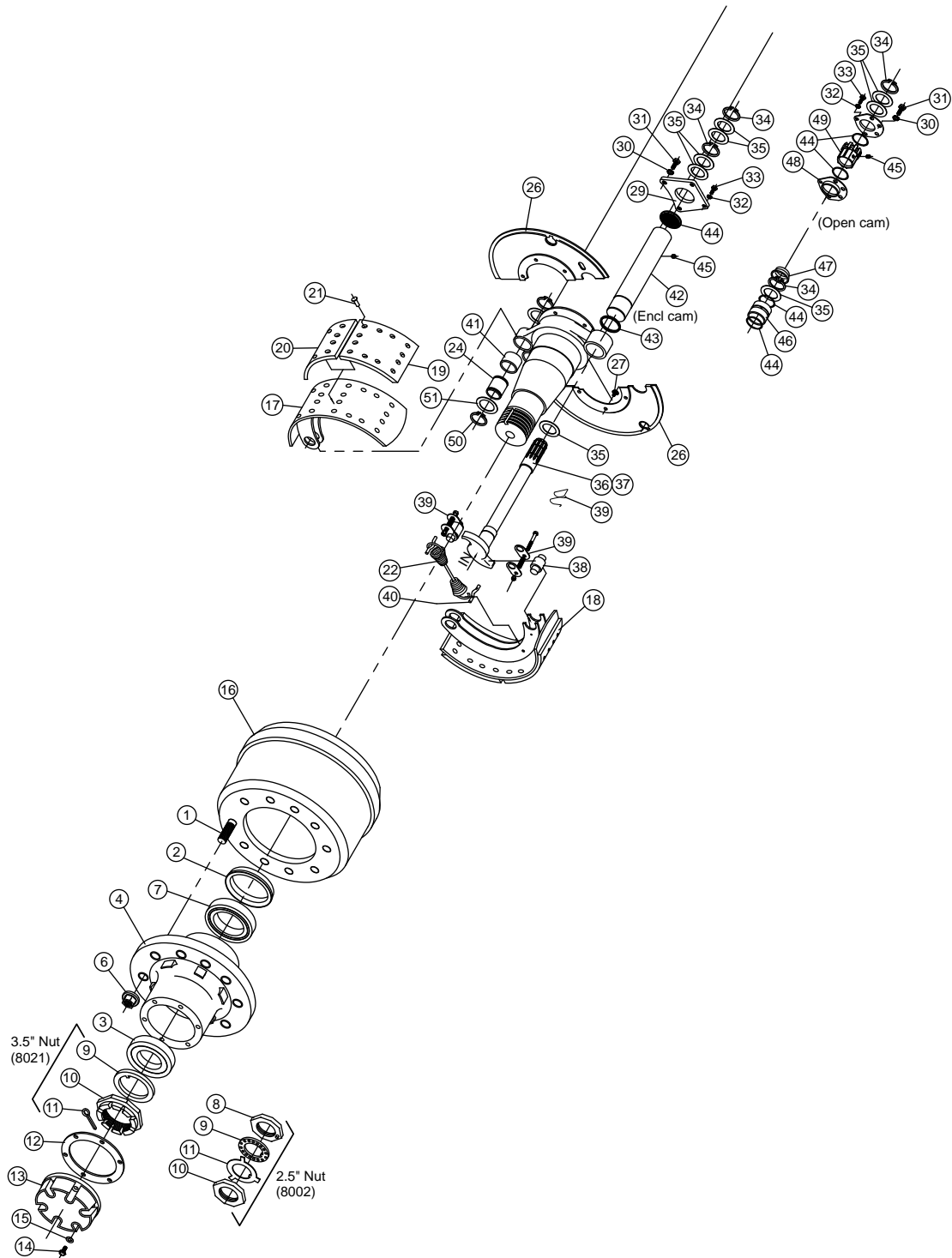
Item	Part Number	Description	Qty per axle
26	79501577	Dust cover - LH	2
27	49FHM08125016	Screw dust cover M8x16	12
28	79500848	Plug dust cover	2
29	79787590	Enclosed cam tube mtg plate	2
30	49AWM12P	Lockwasher M12	6
31	49HBM12175020	Hex bolt M12x20	6
32	49AWM10P	Lockwasher M10	4
33	49HBM10150020	Hex bolt M10x20	4
34	79500374	Camshaft circlip	4
35	79500358	Camshaft washer	4
36	7950474219RHT	Camshaft RH (long) 616mm	1
	7950474219LHT	Camshaft LH (long) 616mm	1
37	7950474201RHT**	Camshaft RH (short) 525mm	1
	7950474201LHT**	Camshaft LH (short) 525mm	1
		Camshaft RH (Ro8) 126mm	1
		Camshaft LH (Ro8) 126mm	1
	7950781002RHT**	Camshaft RH (Ro8) 160mm	1
	7950781002LHT**	Camshaft LH (Ro8) 160mm	1
38	7950035601	Cam roller 11/4" knurled	4
39	79787722	Cam roller retainer - bolt on	4
40	79500372	Return spring retainer	4
41	79501787	Anchor pin bush	4
42	79SB78852819	Enclosed cam tube (long) 616mm	2
	79SB78852801	Enclosed cam tube (short) 525mm	2
43	79787721	Seal - hub end enclosed cam	2
44	79500375	'O' Ring Seal - inner end enclosed cam	2
45	79786885	Grease nipple - 6mm straight	4
	79792107	Grease nipple - 1/8"BSP Straight	4
46	79787923	Outer cam bush	4
47	79500686	Dust seal	4
48	79501574	Spherical bush housing	4
49	79500362	Spherical bush	4
#	79787905	Manual slack adjuster - 5/6/7"	2
#	7921153	Automatic slack adjuster - 5/6"	2
#	79786330	Slack adjuster return spring	2
#	79787752	Inner cam bracket	2
#	79ABS001	ABS sensor pole kit	1
#	79788871	ABS pole wheel - 100T (steel hub)	2
#	79105459	ABS pole wheel - 100T (alum hub)	2
#	79560464	ABS sensor pole bush	2
#	79550395	ABS sensor	2
#	7978887303	ABS sensor pole mounting block	2
#	7965503	Hub cap window kit	2
#	79506221	Booster bracket	2
#	79786275	Brake spider	2
#	7978790119	Enclosed cam kit - long cam	1
#	7978790101	Enclosed cam kit - short cam	1
#	79787904	Non enclosed cam repair kit	1
#		Spacer band - 15x4"	2

### Legend

**	Optional part available for an axle build or spare part only
#	Part available but not shown on spare parts diagram
†	311x127 brake shoes and axles are no longer available

# 2800 HEAVY DUTY DRUM AXLES

**HEAVY DUTY AXLE TYPES** 8021, 8003 and 8002  
 420 x 220 'S' CAM BRAKES - DUAL STUD TYPE HUBS



## 2800 HEAVY DUTY DRUM AXLES

Item	Part Number	Description	Qty per axle
1	79786111	Wheel stud BS M22x100mm	20
	79790307	Wheel stud BS M24x100mm	20
	79786511	Wheel stud BS M22x124mm	20
2		Hub seal TQ	2
3	7978611701	Outer bearing (cone) TN HM218248	2
	7978611702	Outer bearing (cup) TN HM218210	2
4	79788805	Steel hub 10x335 pcd (M22)	2
	79790352	Steel hub 10x335 pcd (M24)	2
6	7950291701	Wheel nut M22 ISO	20
	79786112	Wheel nut M24 ISO	20
7	7950228501	Inner bearing (cone) TQ HM220149	2
	7950228502	Inner bearing (cup) TQ HM220110	2
8	79502461	Spindle nut - 2.5"	2
9	79788889	Spindle thrust washer - 3.5"	2
	79501123	Spindle lockwasher - 2.5"	2
10	79788890	Spindle castellated nut - 3.5"	2
	79502462	Spindle locknut - 2.5"	2
11	79788891	Split pin - 8x50	2
	79790044	Locktab washer - 2.5"	2
12	79502472	Gasket - 6 hole hub cap	2
13	79788901YORK	Hub cap - grease 6 hole	2
14	49HBM08125040	Hub cap stud M8x40mm	12
15	49AW516P	Washer 5/16" - hub cap stud	12
16	79788801	Brake drum 10x335pcd (M22)	2
	79790354	Brake drum 10x335pcd (M24)	2
17	7950290602	Unlined brake shoe - 'P' 420x220	4
18	79SB50206502AF237	Lined brake shoe - 'P' brake 420x220	4
		Lining - cam end - 420x220	4
20		Lining - anchor end - 420x220	4
21		Rivet	
22	79786289	Return spring - cam end	2
24	79501995	Anchor pin - 'P' brake	2
25	79790070	Dust cover - RH (8021/8003)	2
	79786336	Dust cover - RH (8002)	2
26	79790069	Dust cover - RH (8021/8003)	2
	79786335	Dust cover - LH (8002)	2
27	49FHM08125016	Screw dust cover M8x12	12
28	79500848	Plug dust cover	2
29	79787590	Enclosed cam tube mtg plate	2

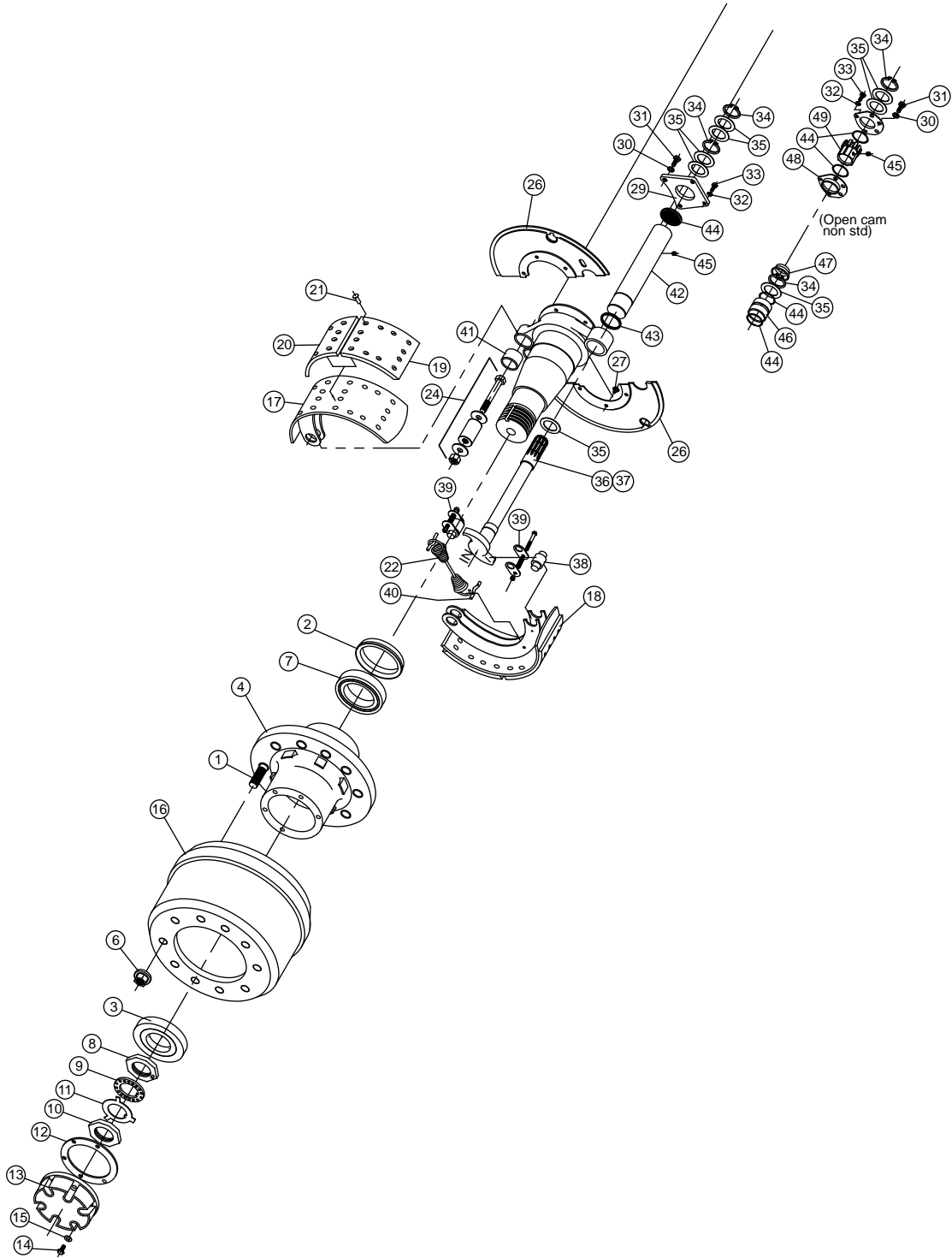
Item	Part Number	Description	Qty per axle
30	49AWM12P	Lockwasher M12	12
31	49HBM12175020	Hex bolt M12x20	12
32	49AWM10P	Lockwasher M10	6
33	49HBM10150020	Hex bolt M10x20	6
34	79500374	Camshaft circlip	2
35	79500358	Camshaft washer	2
36	7950472317RHT	Camshaft RH (long) 627mm	2
	7950472317LHT	Camshaft LH (long) 627mm	2
37	7950472301RHT	Camshaft RH (short) 525mm	2
	7950472301LHT	Camshaft LH (short) 525mm	2
38	7950035601	Cam roller 1 1/4" knurled	4
39	79787722	Cam roller retainer - bolt on	2
	79500373	Cam roller retainer spring	4
40	79500372	Return spring retainer	4
41	79501787	Anchor pin bush	4
42	79SB78852817	Enclosed cam tube (long) 627mm	2
	79SB78852801	Enclosed cam tube (short) 525mm	2
43	79787721	Seal - hub end enclosed cam	2
44	79500375	'O' Ring Seal - inner end enclosed cam	2
45	79786885	Grease nipple - 6mm straight	4
	79792107	Grease nipple - 1/8" BSP Straight	4
46	79787923	Outer cam bush - vesconite	2
	79786123	Outer cam bush - nylon	2
47	79500686	Dust seal	2
48	79500363	Spherical bush housing	2
49	79500362	Spherical bush	2
50	79758525	Anchor pin circlip	2
51	79501996	Anchor pin washer	2
#	79787905	Manual slack adjuster - 5/6/7"	2
#	7921104	Automatic slack adjuster - 5/6/7"	2
#	79786330	Slack adjuster return spring	2
#	79786220	Inner cam bracket	2
#	79506221	Booster bracket	2
#	79788813	Brake spider 420x220	2
#	79786275	Brake spider 420x180	2
#	7978790117	Enclosed cam kit - long cam	1
#	7978790101	Enclosed cam kit - short cam	1
#	79787904	Non enclosed cam repair kit	1
#	79507327	Grease nipple extension - 52mm	2

### Legend

**	Optional part available for an axle build or spare part only
#	Part available but not shown on spare parts diagram

# 2950 DRUM AXLES

**AXLE TYPE 2950 - 335 x 210 'S' CAM BRAKES  
DUAL SPIDER AND STUD TYPE HUBS**





## 2950 DRUM AXLES

Item	Part Number	Description	Qty per axle
1	79792155	Wheel stud SAE M22x100mm	16/20
	7979215601	Wheel stud SAE M22x117mm	16/20
	79786506	Wheel stud Jap RH M20	6
	79786507	Wheel stud Jap LH M20	6
	79787581	Wheel stud 3/4" UNC	20
			Wheel stud M22 short AL hub
	79102190	Wheel stud M22 long AL hub	20
2	79786114	Hub seal	2
3	797865101	Outer bearing (cone) TN HM212049	2
	797865102	Outer bearing (cup) TN HM212011	2
		Outer bearing (cone) preset HM212049/04 or NP899357	2
	7978795502	Outer bearing (cup) preset HM212011/04 or NP026773	2
4	79787705	Steel hub 8x275 pcd (O/B)	2
	7910008846	Alum hub 8x275 pcd (preset)	2
	79792316	3 spoke spider hub - dual	2
		3 spoke spider hub - dual	2
	79792161	Steel hub 10x225 pcd (I/B)	2
			Steel hub 8x225 pcd (I/B)
		Steel hub 8x285 pcd (Jap)	2
6	7950291701	Wheel nut M22 ISO	20
	79787582	Wheel nut 3/4" UNC	16
	79790001	Japanese wheel nut set RH	5
	79790002	Japanese wheel nut set LH	5
7	7978611701	Inner bearing (cone) TN HM218248	2
	7978611702	Inner bearing (cup) TN HM218210	2
	7978795601	Inner bearing (cone) preset HM218248/04 or NP965350	2
	7978795602	Inner bearing (cup) preset HM218210/04 or NP503727	2
8	79502461	Spindle nut	2
9	79501123	Spindle lockwasher	2
10	79502462	Spindle locknut	2
11	79790044	Locktab washer	2
12	79787719	Gasket - 6 hole hub cap	2
	79501715	Hub cap - grease 6 hole	2
	79501785 **	Hub cap - oil 6 hole	2
	79786215	Hub cap - grease 3 hole	2
14	49HBM08125025P	Hub cap stud M8x25mm	12
	49HB516UNC100	Hub cap stud 5/16" UNCx1"	12
15	49AW516P	Washer 5/16" - hub cap stud	12
16	79787704	Brake drum 8x275 pcd (O/B)	2
	79786856	Brake drum spider	2
	79792163	Brake drum 10x225 pcd (I/B)	2
	79792162	Brake drum 8x225 pcd (I/B)	2
	79789234	Brake drum 8x285 pcd (Jap)	2
17		Unlined brake shoe (bonded)	4
18	7978765002	Lined brake shoe (bonded)	4
19		Lining cam end (bonded)	4
		Lining cam end (drilled)	4
20		Lining anchor end (bonded)	4

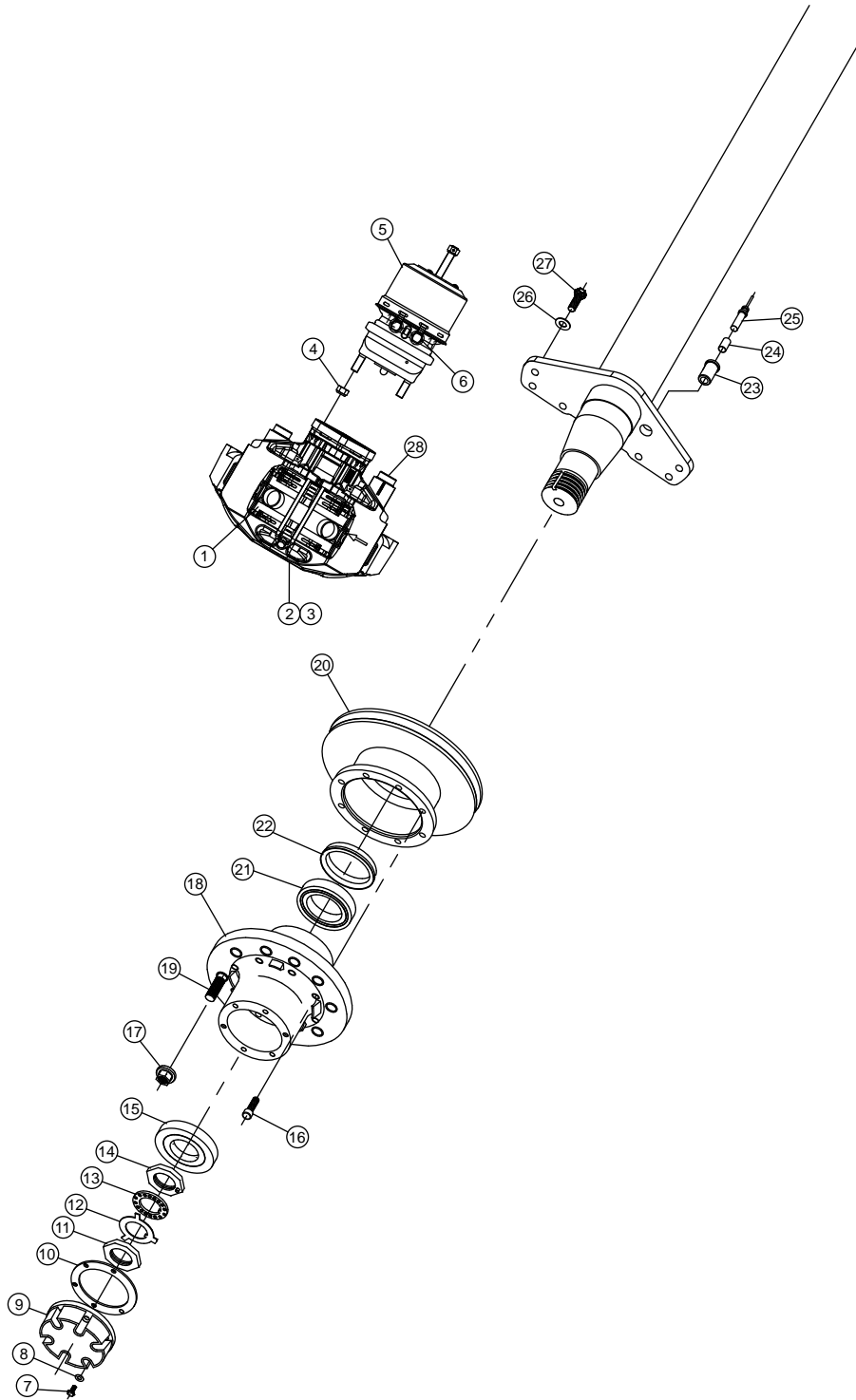
Item	Part Number	Description	Qty per axle
		Lining anchor end (drilled)	4
21		Rivet	
22	79506498	Return spring	2
24	79787997	Anchor pin - 'P' bolt on short	2
26	79506414	Dust cover - LH & RH	4
27	49FHM08125016	Screw dust cover M8x16	12
29	79787590	Enclosed cam tube mtg plate	2
30	49AWM12P	Lockwasher M12	12
31	49HBM12175020	Hex bolt M12x20	12
32	49AWM10P	Lockwasher M10	6
33	49HBM10150020	Hex bolt M10x20	6
34	79500374	Camshaft circlip	2
35	79500358	Camshaft washer	2
36	7979023819RHT	Camshaft RH (long) 616mm	2
	7979023819LHT	Camshaft LH (long) 616mm	2
37	7979023801RHT **	Camshaft RH (short) 525mm	2
	7979023801LHT **	Camshaft LH (short) 525mm	2
38	7950035601	Cam roller 11/4" knurled	4
39	79787722	Cam roller retainer - bolt on	2
40	79500372	Return spring retainer	4
41	79501787	Anchor pin bush	2
42	79SB78852819	Enclosed cam tube (long) 616mm	2
	79SB78852801	Enclosed cam tube (short) 525mm	2
43	79787721	Seal - hub end enclosed cam	2
44	79500375	'O' Ring Seal - inner end enclosed cam	2
45	79786885	Grease nipple - 6mm straight	4
	79792107	Grease nipple - 1/8" BSP Straight	4
46	79787923	Outer cam bush	2
47	79500686	Dust seal	2
48	79501574	Spherical bush housing	2
49	79500362	Spherical bush	2
#	79787905	Manual slack adjuster - 5/6/7"	2
#	7921153	Automatic slack adjuster - 5/6"	2
#	79786330	Slack adjuster return spring	2
#	79787752	Inner cam bracket	2
#	79ABS001	ABS sensor pole kit	1
#	79788871	ABS pole wheel - 100T (steel hub)	2
#	79105459	ABS pole wheel - 100T (alum hub)	2
#	79560464	ABS sensor pole bush	2
#	79550395	ABS sensor	2
#	7978887303	ABS sensor pole mounting block	2
#	7965503	Hub cap window kit	2
#	79506221	Booster bracket	2
#	79786275	Brake spider	2
#	7978790119	Enclosed cam kit - long cam	1
#	7978790101	Enclosed cam kit - short cam	1
#	79787904	Non enclosed cam repair kit	1
#		Spacer band - 15x4"	2
#	79104144	Preset hub bearing spacer	2
#		Rim clamp	2

### Legend

**	Optional part available for an axle build or spare part only
#	Part available but not shown on spare parts diagram

# 2970 P22 DISC AXLES

AXLE TYPE 2970 - PAN 22-1 : 430mm DISC ROTOR



## 2970 P22 DISC AXLES

Item	Part Number	Description	Qty per axle
1	79787420	Disc brake pads (axle set)	1
2	79787421	Disc brake caliper L/H	1
3	79787422	Disc brake caliper R/H	1
4	49LNM1615	Nyloc nut M16x1.5	4
5	797874301624	Spring brake chamber 16/24	2
		Spring brake chamber 18/24	2
	797874302024	Spring brake chamber 20/24	2
	797873501424L & R	Spring brake chamber 14/24	2
		Spring brake chamber 16/24	2
		Spring brake chamber 18/24	2
	797873502024	Spring brake chamber 20/24	2
		Spring brake chamber 24/24	2
	7978735416	Brake chamber type 16	2
	7978735420	Brake chamber type 20	2
	7978735422	Brake chamber type 22	2
	7978735424L & R	Brake chamber type 24	2
	797874461216	Spring brake chamber 12/16	2
	797874461416	Spring brake chamber 14/16	2
6	92791607	Airbag fitting chamber (for 79787430/suffix chamber)	2
		Airbag fitting assy chamber (for 79787350/suffix chamber)	2
7	49HBM08125025P	Hub cap stud M8x25mm	12
8	49AW516P	Spring washer 5/16"	12
9	79501715	Hub cap - grease 6 hole	2
10	79787719	Hub cap gasket	2
11	79502462	Spindle locknut	2
12	79790044	Locktab washer	2
13	79501123	Spindle lockwasher	2
14	79502461	Spindle nut	2
15	797865101	Outer bearing (cone) TN HM212049	2
		797865102	Outer bearing (cup) TN HM212011
		Outer bearing (cone) preset HM212049/04 or NP899357	2
	7978795502	Outer bearing (cup) preset HM212011/04 or NP026773	2
16	49SHM16200035	Rotor mounting bolt M16x35 Steel hub	10
		Nut flanged 5/8-18 UNF Alum hub	10

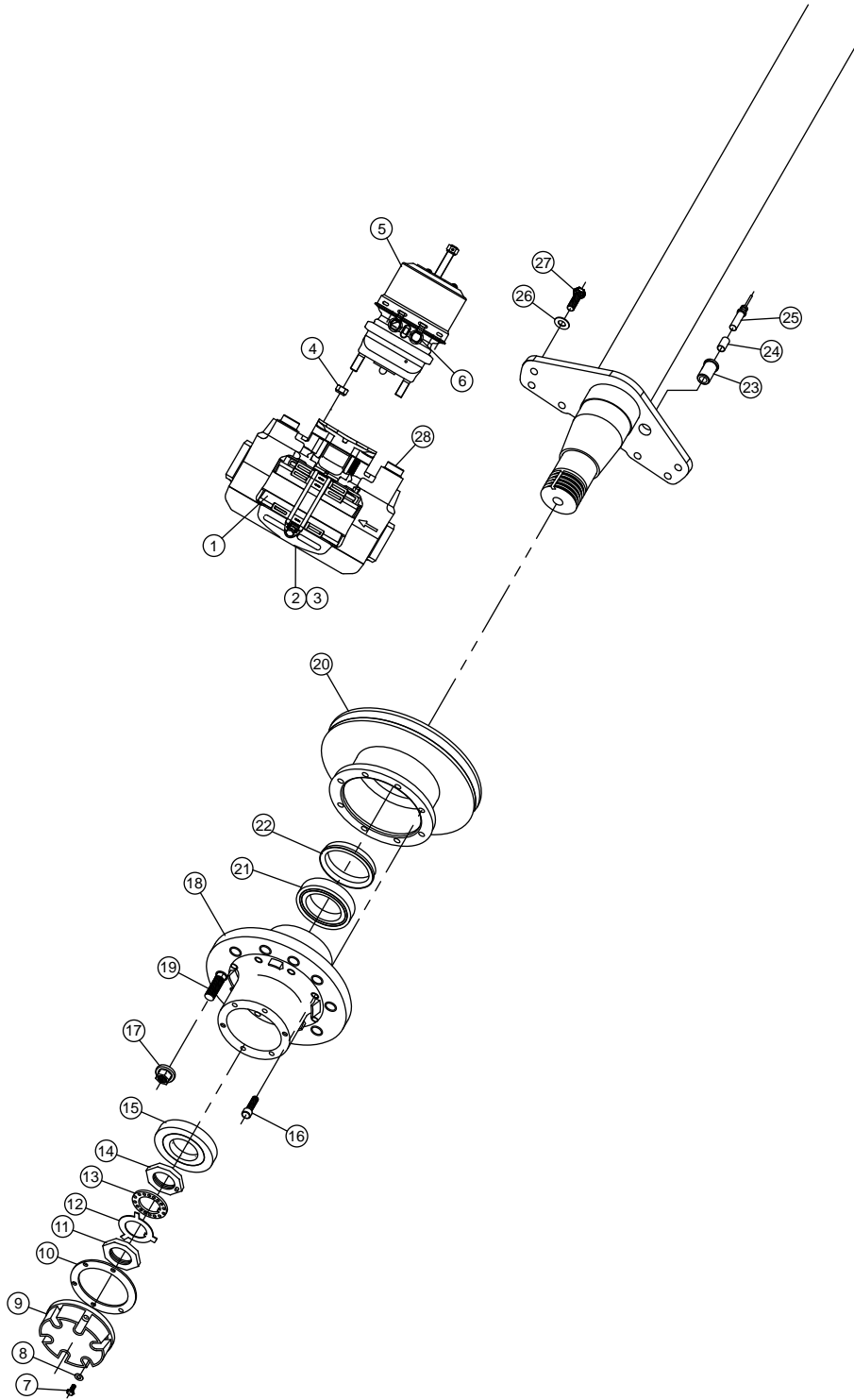
Item	Part Number	Description	Qty per axle
17	7950291701	Wheel nut M22 ISO	20
18	79789232	Steel hub 10x285 pcd	2
	79789230	Steel hub 10x335 pcd	2
		Alum hub 10x285 pcd	2
	7910036723	Hub/rotor assy 10x285 pcd preset alum hub	2
	79SB787428117M	Hub/rotor assy 10x285 pcd	2
	79SB787429117M	Hub/rotor assy 10x335 pcd	2
19	7979215601	Wheel stud SAE M22x117mm	20
20	79789121	Disc brake rotor - dia 430 ABS Steel hub	2
	7910018609	Disc brake rotor - dia 430 ABS Preset alum hub	2
21	7978611701	Inner bearing (cone) HM218248	2
	7978611702	Inner bearing (cup) HM218210	2
	7978795601	Inner bearing (cone) preset HM218248/04 or NP965350	2
	7978795602	Inner bearing (cup) preset HM218210/04 or NP503727	2
22	79786114	Hub seal	2
	79991067	Hub seal preset	2
23	79787406	ABS sensor mounting bush dia 30 Steel alum hub	2
	79787355	ABS sensor mounting bush dia 24 Preset alum hub	2
24	79560464	ABS sensor pole bush	2
25	79787407	ABS sensor straight cable	2
26	79787360	High tensile washer M16	12
27	49HBM16150045	Caliper mounting bolt M16x45	12
28	79787365	Caliper guide pin & seal repair kit	1
#	79ABS005	ABS sensor pole kit (steel hub)	1
#	79ABS006	ABS sensor pole kit (alum hub)	1
#	79991056	ABS sensor ring 100 tooth Preset alum hub	2
#	49SHC832UNC	Sensor ring mounting screw Preset alum hub	2
#	79104144	Preset hub bearing spacer	2
#		Brake caliper mounting bracket	2
#	7978736601	Offset brake booster mount kit	1
#	79SB792312	Bearing kit preset	2

### Legend

**	Optional part available for an axle build or spare part only
#	Part available but not shown on spare parts diagram

# 2980 P19 DISC AXLES

AXLE TYPE 2980 - PAN 19-1 : 375mm DISC ROTOR



## 2980 P19 DISC AXLES

Item	Part Number	Description	Qty per axle
1	79787364	Disc brake pads (axle set)	1
2	79787317	Disc brake caliper L/H	1
3	79787318	Disc brake caliper R/H	1
4	49LNM1615	Nyloc nut M16x1.5	4
5	797874301624	Spring brake chamber 16/24	2
		Spring brake chamber 18/24	2
	797874302024	Spring brake chamber 20/24	2
	797873501424L & R	Spring brake chamber 14/24	2
		Spring brake chamber 16/24	2
		Spring brake chamber 18/24	2
	797873502024	Spring brake chamber 20/24	2
		Spring brake chamber 24/24	2
		Brake chamber type 14	2
	7978735416	Brake chamber type 16	2
	7978735420	Brake chamber type 20	2
	7978735422	Brake chamber type 22	2
	7978735424	Brake chamber type 24	2
	797874461216	Spring brake chamber 12/16	2
	797874461416	Spring brake chamber 14/16	2
6	92791607	Airbag fitting chamber (for 79787430/suffix chamber)	4
		Airbag fitting assy chamber (for 79787350/suffix chamber)	4
7	49HB516UNC100	Hub cap stud 5/16"UNCx1"	12
8	49AW516P	Spring washer 5/16"	12
9	79501715	Hub cap - grease 6 hole	2
10	79787719	Hub cap gasket	2
11	79502462	Spindle locknut	2
12	79790044	Locktab washer	2
13	79501123	Spindle lockwasher	2

Item	Part Number	Description	Qty per axle
14	79502461	Spindle nut	2
15	797865101	Outer bearing (cone) HM212049	2
	797865102	Outer bearing (cup) HM212011	2
16	49SHM14150055	Rotor mounting bolt M14x55 (10x285/8x275 hubs)	20
	49SHM14150050	Rotor mounting bolt M14x50 (10x335 hub)	20
17	7950291701	Wheel nut M22 ISO	20
18	79787328	Steel hub 10x285 pcd	2
	79SB787348100	Steel hub 10x335 pcd	2
	79SB787326100	Steel hub 8x275 pcd	2
19	79792155	Wheel stud SAE M22x100mm	16/20
	7979215601 **	Wheel stud SAE M22x117mm	16/20
20	79787412	Disc brake rotor - dia 375 ABS	2
		Disc brake rotor - dia 375 non ABS	2
		Disc brake rotor ABS (old style)	2
21	7978611701	Inner bearing (cone) HM218248	2
	7978611702	Inner bearing (cup) HM218210	2
22	79786114	Hub seal	2
23	79787406	ABS sensor mounting bush	2
24	79560464	ABS sensor pole bush	2
25	79787407	ABS sensor straight cable	2
26	79787360	High tensile washer M16	12
27	79787310	Caliper mounting bolt M16x50	12
28	79787365	Caliper guide pin & seal repair kit	1
#	79ABS002	ABS sensor pole kit	1
#	79787357	ABS pole sleeve 100 tooth suits old rotor	2
#	79787331	Brake caliper mounting bracket	2
#	79787366	Offset brake booster mount kit	1

### Legend

**	Optional part available for an axle build or spare part only
#	Part available but not shown on spare parts diagram

# MT75 SUSPENSION CODE – YORK AUSTRALIA

Model Type (MT)			
Mounting Height (H)			
OVERSLUNG SUSPENSION			
370mm	R127 8 Leaf Low Seat	485mm	R127 10H Leaf High Seat
425mm	R127 8 Leaf High Seat	430mm	S120 10H Leaf Low Seat
370mm	S120 8 Leaf Low Seat	485mm	S120 10H Leaf High Seat
425mm	S120 8 Leaf High Seat	450mm	S150 10H Leaf Low Seat
385mm	S150 8 Leaf Low Seat	450mm	S150 13H Leaf Low Seat
385mm	R127 9 Leaf Low Seat	355mm	R127 3H Leaf Low Seat
440mm	R127 9 Leaf High Seat	410mm	R127 3H Leaf High Seat
385mm	S120 9 Leaf Low Seat	355mm	S120 3H Leaf Low Seat
440mm	S120 9 Leaf High Seat	410mm	S120 3H Leaf High Seat
400mm	S150 9 Leaf Low Seat	370mm	S150 3H Leaf Low Seat
430mm	R127 10H Leaf Low Seat		
UNDERSLUNG SUSPENSION			
200mm	8 & 9 Leaf Low Seat		
210mm	10H & 3H Leaf Low Seat		
PACKED OVERSLUNG SUSPENSION			

Suspension Type (T)	
O	Overslung
U	Underslung

Add-On Drawbar Kits	
58DBK1	C/W Cheek Plates (59900039)
58DBK2	C/W Drawbar End Housing (59900096)
58DBK3	C/W Drawbar End Housing/End Pivot CASTING (59900096/59900097)

## MODEL EXAMPLE

MT3A-O-370-8-R

## MT75 MECHANICAL SUSPENSIONS SPECIFICATION

- 1) ADR Compliance ADR 38/05.
- 2) Overslung and underslung models.
- 3) Axle spacings tandem, tri or quad under or overslung 1232mm (4'-0" or 8'-1"), 1384mm (4'-6" or 9'-1") & 1538mm (5'-0" or 10'-1").
- 4) To suit 127mm (5") round or 120mm (4.72") or 150mm (6") square axles.
- 5) Various mounting heights as above.
- 6) Draw bar front hangers also available for dog or dolly trailers.

Application	Cap: GALR (tonnes)	SARN Number
Single Axle Overslung	10	6306 SS
Single Axle Underslung	10	6306 SS
Tandem Axle Overslung	20	6307 SS
Tandem Axle Underslung	20	6307 SS
Tri Axle Overslung	30.5	6305 SS
Tri Axle Underslung	30.5	6305 SS
Quad Axle Over & Under	37	12577 SS

Suspension Spread (SP)	P/N Ref
1A	Single Axle 581###
2A	Tandem 1232mm 582###A
2B	Tandem 1384mm 582###B
2C	Tandem 1538mm 582###C
3A	Tri Axle 1232mm 583###A
3B	Tri Axle 1384mm 583###B
3C	Tri Axle 1538mm 583###C
4A	Quad Axle 1232mm 584###A
4B	Quad Axle 1384mm 584###B
4C	Quad Axle 1538mm 584###C

Special Features (F)	
Blank	No Feature
DB	Drawbar Front Hanger
4.8.4	Quad Link 1232/2464/1232 Spread
(FOR BOTH OVERSLUNG & UNDERSLUNG)	

Spring Type	
8	8 Leaf 13x75mm
9	9 Leaf 13x75mm
10H	10 Leaf 16x75mm
3H	3 Leaf 25x75mm
13	13 Leaf 10x75mm

Axle Clamp Group (C)	
R	127mm dia axle
S120	120mm sqr axle
S150	150mm sqr axle

Spring Rating	
3 Leaf HD	11 Tonnes
8 Leaf	9 Tonnes
9 Leaf	10 Tonnes
10 Leaf HD	15 Tonnes
13 Leaf	12 Tonnes

# MT75 OVERSLUNG

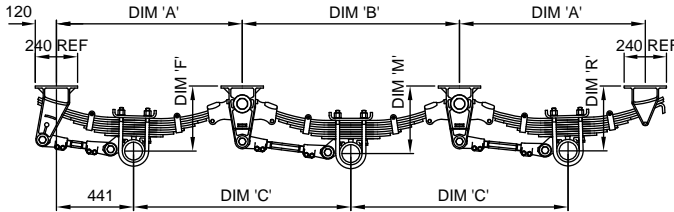
10.0 – 30.5 TONNE CAPACITY PER SUSPENSION KIT MODEL

## TRI-AXLE SUSPENSION

**AXLE SPACINGS** 1232mm (8'1") and 1384mm (9'1")

**ADR NO** 6305SS

**APPROX. WEIGHT** 585kg - 8 Leaf

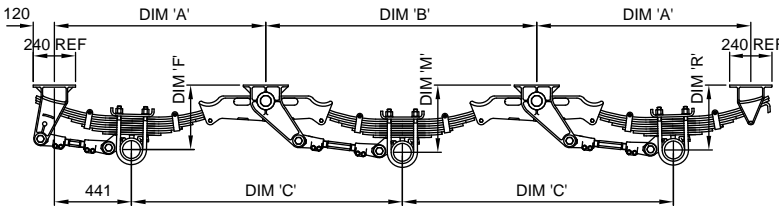


## TRI-AXLE SUSPENSION

**AXLE SPACINGS** 1538mm (10'1")

**ADR NO** 6305SS

**APPROX. WEIGHT** 620kg - 8 Leaf

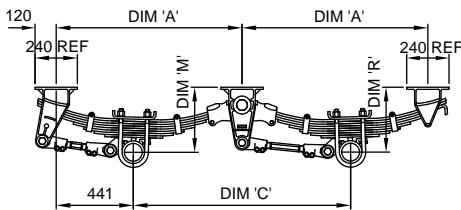


## TANDEM AXLE SUSPENSION

**AXLE SPACINGS** 1232mm (4'0"), 1384mm (4'6") and 1538mm (5'0")

**ADR NO** 6307SS

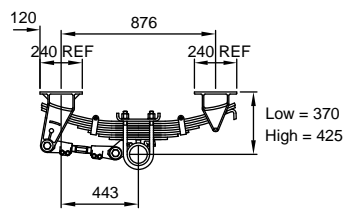
**APPROX. WEIGHT** 383kg - 8 Leaf



## SINGLE AXLE SUSPENSION

**ADR NO** 6306SS

**APPROX. WEIGHT** 183kg - 8 Leaf



## SUSPENSION DIMENSIONS

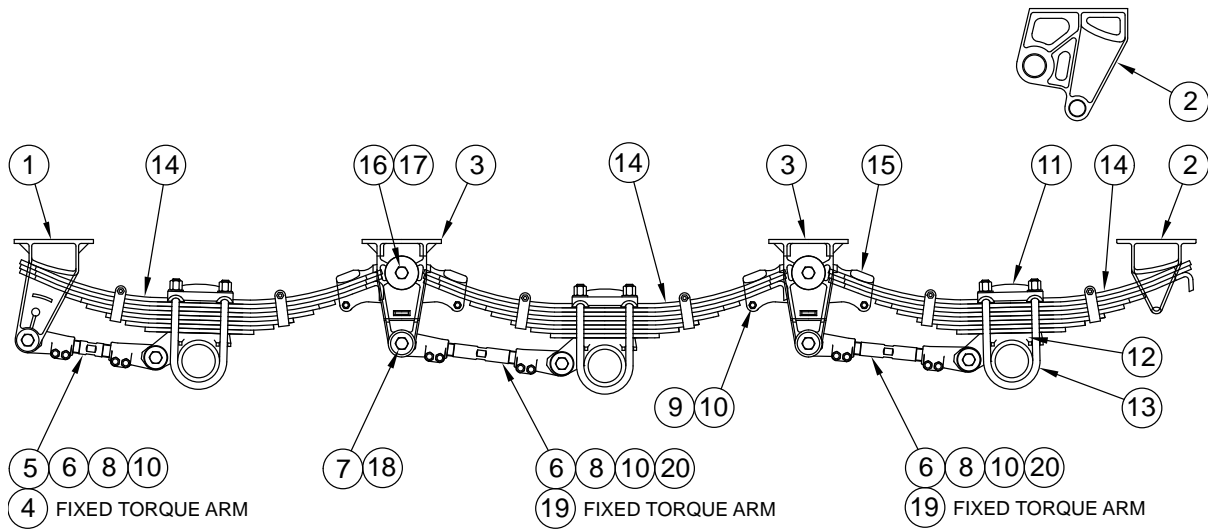
Axle Spread (mm)	Model	Dim A (mm)	Dim B (mm)	Dim C (mm)
1232 (4'0")	MT2A or MT3A	1054	1232	1232
1384 (4'6")	MT2B or MT3B	1130	1384	1384
1538 (5'0")	MT2C or MT3C	1207	1538	1538

## SUSPENSION MOUNTING HEIGHT

Axle Seat	Dimension	8 Leafs (mm)	9 Leafs (mm)	10 Leafs H/D (mm)	13 Leafs (mm)	3 Leafs (mm)
Low	F-M-R	370	385	430	430	355
High	F-M-R	425	440	485	485	410

Unladen Condition

# MT75 OVERSLUNG TRI-AXLE



Item	Part Number	Description	Qty per axle
1	59900022	Front hanger	2
	59900035	Front hanger - Drawbar type	2
2	59900001	Rear hanger	2
3	59900026	Equaliser hanger 8'1" & 9'1" (1232 & 1384mm)	4
	59900032	Equaliser hanger 10'1" (1538mm)	4
4	59901100395	Fixed torque arm 395mm	1
	59901100380	Fixed torque arm 380mm	1
5	5990003301	Adj. torque arm screw 260mm	1
6	59SB900024R	Adj. torque arm end assy RH	3
		Adj. torque arm end RH	3
	59SB900024L	Adj. torque arm end assy LH	3
		Adj. torque arm end LH	3
7	59SB901012	Torque arm pin assy	12
		Torque arm pin	12
8	59901001	Adj. torque arm bolt 1/2" UNF	12
9	59901002	Spring retainer bolt 1/2" UNF	8
10	59901004	Nyloc nut 1/2" UNF	20
11	59900003	Spring top plate 5" rnd & sqr	6
	59900009	Spring top plate 6" rnd & sqr	6
12	59900027	Spring seat 127rnd x 25mm high	6
	59900025	Spring seat 127 rnd x 75mm high	6
	59900049	Spring seat 122 sqr x 25mm high	6
	59900071	Spring seat 122 sqr x 75mm high	6
	59900008	Spring seat 152 sqr x 25mm high	6
13	59901101275	U-bolt 127 rnd x 240mm x 7/8"UNF	12
	59901101290	U-bolt 127 rnd x 290mm x 7/8"UNF	12
	59901101325	U-bolt 127 rnd x 325mm x 7/8"UNF	12
	59901101350	U-bolt 127 rnd x 350mm x 7/8"UNF	12
	59901101370	U-bolt 127 rnd x 370mm x 7/8"UNF	12
	59901102310	U-bolt 122 sqr x 310mm x 7/8"UNF	12
	59901102345	U-bolt 122 sqr x 345mm x 7/8"UNF	12
59901102370	U-bolt 122 sqr x 370mm x 7/8"UNF	12	

Item	Part Number	Description	Qty per axle
13	59901103360	U-bolt 152 sqr x 360mm x 7/8"UNF	12
	59901103380	U-bolt 152 sqr x 380mm x 7/8"UNF	12
		U-bolt 152 sqr x 410mm x 7/8"UNF	12
	59901102410	U-bolt 122 sqr x 410mm x 7/8"UNF	12
14	59770706	Spring 8 leaf x 13mm	6
	59787505	Spring 9 leaf x 13mm	6
	59770710	Spring 10 leaf - heavy duty x 16mm	6
	59770704	Spring 3 leaf x 25mm	6
	59770705	Spring 13 leaf x 10mm	6
15	59900007	Equaliser 8'1" (1232mm)	4
	59900020	Equaliser 9'1" (1384mm)	4
	59900010	Equaliser 10'1" (1538mm)	4
16	59SB900013	Equaliser shaft assy	4
		Equaliser shaft	4
17	59901020	Equaliser bush - rubber	8
	59901020P	Equaliser bush - poly	8
18	59901019	Torque arm bush - rubber	24
	59901019P	Torque arm bush - poly	24
19	59901100380	Fixed torque arm 380mm	1
		Fixed torque arm 450mm	1
	59901100470	Fixed torque arm 470mm	1
	59901100495	Fixed torque arm 495mm	1
	59901100565	Fixed torque arm 565mm	1
20	5990003302	Adj. torque arm screw 350mm	1
	5990003303	Adj. torque arm screw 420mm	1
#	59900023	Packer 25mm high	6
#	59900039	Drawbar cheek plate	2
#	59900096	Drawbar end housing	2
#	59900097	Drawbar end pivot casting	2
#	59900127	Drawbar lock casting LH	1
#	59900126	Drawbar lock casting RH	1

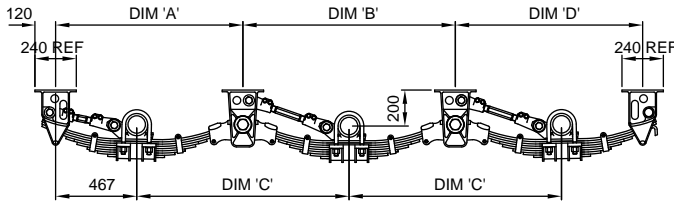


# MT75 UNDERSLUNG

10.0 – 30.5 TONNE CAPACITY PER SUSPENSION KIT MODEL

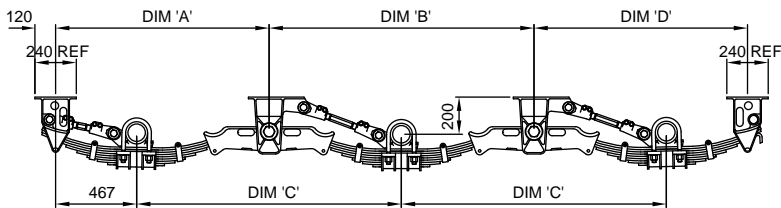
## TRI-AXLE SUSPENSION

**AXLE SPACINGS** 1232mm (8'1")  
**ADR NO** 6305SS  
**APPROX. WEIGHT** 610kg - 8 Leaf  
**CAPACITY** 30.5 tonnes



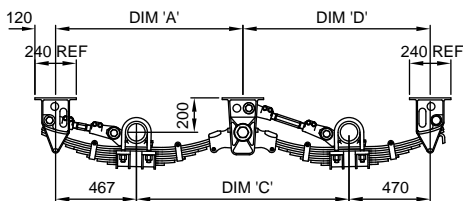
## TRI-AXLE SUSPENSION

**AXLE SPACINGS** 1348mm (9'1") and 1538mm (10'1")  
**ADR NO** 6305SS  
**APPROX. WEIGHT** 640kg - 8 Leaf  
**CAPACITY** 30.5 tonnes



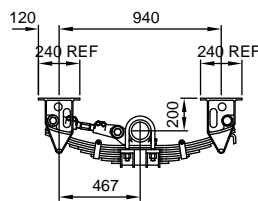
## TANDEM AXLE SUSPENSION

**AXLE SPACINGS** 1232mm (4'0"), 1384mm (4'6") and 1538mm (5'0")  
**ADR NO** 6307SS  
**APPROX. WEIGHT** 400kg - 8 Leaf  
**CAPACITY** 20 tonnes



## SINGLE AXLE SUSPENSION

**ADR NO** 6306SS  
**APPROX. WEIGHT** 190kg - 8 Leaf  
**CAPACITY** 10 tonnes



## SUSPENSION DIMENSIONS

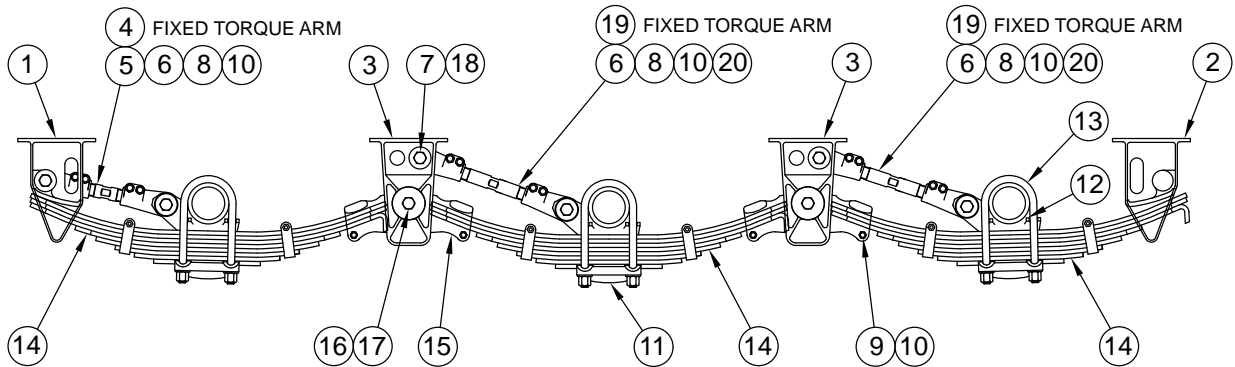
Axle Spread (mm)	Model	Dim A (mm)	Dim B (mm)	Dim C (mm)	Dim D (mm)
1232 (4'0")	MT2A or MT3A	1086	1232	1232	1060
1384 (4'6")	MT2B or MT3B	1162	1384	1384	1135
1538 (5'0")	MT2C or MT3C	1239	1538	1538	1210

Unladen Condition

**Notes:**

- 220mm ride height all models.
- Mounting height with 3 leaf springs = 200mm (all axle spacings).
- Mounting height with 13 leaf springs = 170mm (all axle spacings).

# MT75 UNDERSLUNG TRI-AXLE



Item	Part Number	Description	Qty per axle
1	59900037	Front hanger	2
	59900035	Drawbar hanger	2
2	59900037	Rear hanger	2
	59900036	Equaliser hanger 8'1" (1232mm)	4
3	59900089	Equaliser hanger 9'1" & 10'1" (1384 & 1538mm)	4
	59901100380	Fixed torque arm 380mm	1
4		Fixed torque arm 360mm	1
	5990003301	Adj. torque arm screw 260mm	1
5	59SB900024R	Adj. torque arm end assy RH	3
		Adj. torque arm end RH	3
	59SB900024L	Adj. torque arm end assy LH	3
6		Adj. torque arm end LH	3
	59SB901012	Torque arm pin assy	12
		Torque arm pin	12
7	59901001	Adj. torque arm bolt 1/2" UNF	12
	59901002	Spring retainer bolt 1/2" UNF	8
	59901004	Nyloc nut 1/2" UNF	20
8	59900003	Spring bottom plate 5" rnd & sqr	6
	59900038 **	Spring bottom plate 5" rnd & sqr	6
	59900009	Spring bottom plate 6" rnd & sqr	6
	59900027	Spring seat 127rnd x 25mm high	6
9	59900049	Spring seat 122 sqr x 25mm high	6
	59900008	Spring seat 152 sqr x 25mm high	6
	59901101275	U-bolt 127 rnd x 240mm x 7/8"UNF	6
	59901101290	U-bolt 127 rnd x 290mm x 7/8"UNF	12
10	59901101325	U-bolt 127 rnd x 325mm x 7/8"UNF	12
	59901101350	U-bolt 127 rnd x 350mm x 7/8"UNF	12
11	59901101370	U-bolt 127 rnd x 370mm x 7/8"UNF	12
	59901102310	U-bolt 122 sqr x 310mm x 7/8"UNF	12
12	59901102345	U-bolt 122 sqr x 345mm x 7/8"UNF	12
	59901102370	U-bolt 122 sqr x 370mm x 7/8"UNF	12
13	59901102410	U-bolt 122 sqr x 410mm x 7/8"UNF	12
	59901103360	U-bolt 152 sqr x 360mm x 7/8"UNF	12
14	59901103380	U-bolt 152 sqr x 380mm x 7/8"UNF	12
	59901103410	U-bolt 152 sqr x 410mm x 7/8"UNF	12

Item	Part Number	Description	Qty per axle
14	59770706	Spring 8 leaf x 13mm	6
	59787505	Spring 9 leaf x 13mm	6
15	59770710	Spring 10 leaf - heavy duty x 16mm	6
	59770704	Spring 3 leaf x 25mm	6
16	59770705	Spring 13 leaf x 10mm	6
	59900007	Equaliser 8'1" (1232mm)	4
	59900020	Equaliser 9'1" (1384mm)	4
17	59900010	Equaliser 10'1" (1538mm)	4
	59SB900013	Equaliser shaft assy	4
		Equaliser shaft	4
18	59901020	Equaliser bush - rubber	8
	59901020P	Equaliser bush - poly	8
19	59901019	Torque arm bush - rubber	24
	59901019P	Torque arm bush - poly	24
20	59901100370	Fixed torque arm 370mm	1
	59901100395	Fixed torque arm 395mm	11
	59901100470	Fixed torque arm 470mm	1
		Fixed torque arm 485mm	1
#	59901100495	Fixed torque arm 495mm	1
	59901100565	Fixed torque arm 565mm	1
#	5990003302	Adj. torque arm screw 350mm	1
	5990003303	Adj. torque arm screw 420mm	2
#	59900039	Drawbar cheek plate	2
#	59900096	Drawbar end housing	2
#	59900097	Drawbar end pivot casting	2
#	59900127	Drawbar lock casting LH	1
#	59900126	Drawbar lock casting RH	1

# YTB90 SUSPENSION CODE – YORK AUSTRALIA

## Model Type (YTB)

Suspension Spread (SP)		P/N REF
1	Single Axle	58YTB1###
2C	Tandem 1550mm	58YTB2##C
2D	Tandem 1300mm	58YTB2##D
3C	Tri Axle 1550mm	58YTB3##C
3D	Tri Axle 1300mm	58YTB3##D
4C	Tri Axle 1550mm	58YTB4##C
4D	Tri Axle 1300mm	58YTB4##D

## Suspension Type (T)

O	Overslung
U	Underslung

## Spring Type

10H	10 Leaf 16x90mm
11H	11 Leaf 16x90mm
10H	10 Leaf HD 20x90mm
11H	11 Leaf HD 18x90mm

## Mounting Height (H)

### OVERSLUNG SUSPENSION

500mm	R152 10 Leaf 16x90mm
515mm	R152 11 Leaf 16x90mm
540mm	R152 10 Leaf 20x90mm
540mm	R152 11 Leaf 18x90mm
500mm	S150 10 Leaf 16x90mm
515mm	S150 11 Leaf 16x90mm
540mm	S150 10 Leaf 20x90mm
540mm	S150 11 Leaf 18x90mm

### UNDERSLUNG SUSPENSION

275mm	All Axles & Leaf Packs
-------	------------------------

## Axle Clamp Group (C)

R152	152mm sqr axle
S150	150mm sqr axle

## MODEL EXAMPLE

YTB3C-O-515-11H-R152

## YTB90 MECHANICAL SUSPENSIONS SPECIFICATION

- 1) ADR Compliance ADR 38/05.
- 2) Overslung and underslung models.
- 3) Axle spacings tandem, tri or quad under or overslung 1300mm and 1550mm.
- 4) To suit 152mm round and 150mm (6") square axles.

Application	Cap: GALR (tonnes)	SARN Number
Single Axle Over & Under	20	12166 SS
Tandem Axle Over & Under	40	12217 SS
Tri Axle Over & Under	60	12218 SS
Quad Axle Over & Under	80	12219 SS

Spring Rating	
10 Leaf	18 Tonnes
11 Leaf	20 Tonnes
10 Leaf HD	25 Tonnes
11 Leaf HD	25 Tonnes

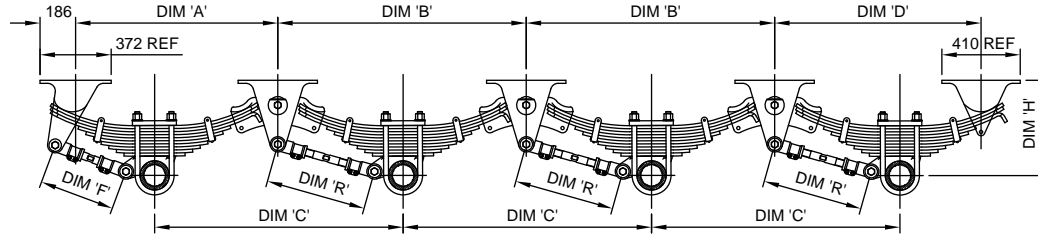
# YTB90 OVERSLUNG

18.0 – 22.0 TONNE CAPACITY

## QUAD-AXLE SUSPENSION

AXLE SPACINGS 1300mm and 1550mm

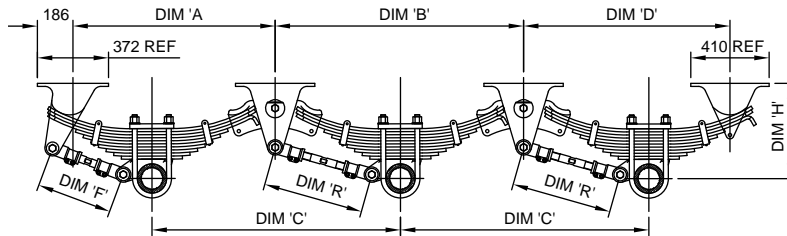
ADR NO 12219SS



## TRI-AXLE SUSPENSION

AXLE SPACINGS 1300mm and 1550mm

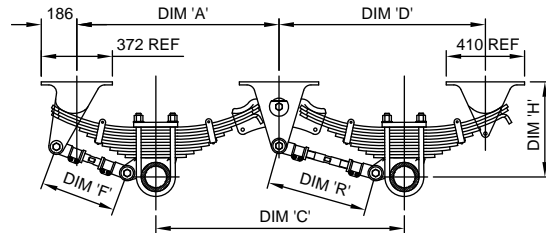
ADR NO 12218SS



## TANDEM AXLE SUSPENSION

AXLE SPACINGS 1300mm and 1550mm

ADR NO 12217SS



Model	Axle Spacing (mm)	'A' (mm)	'B' (mm)	'C' (mm)	'D' (mm)	'F' (mm)	'R' (mm)	'H' (1) (mm)	'H' (2) (mm)	'H' (3) (mm)	'H' (4) (mm)
YTB2D/YTB3D/ YTB4D	1300 Nominal	1058	1300	1300	1080	395	525	500	515	540	540
YTB2C/YTB3C/ YTB4C	1550 Nominal	1183	1550	1550	1205	395	645	500	515	540	540

Unladen Condition

**Notes:**

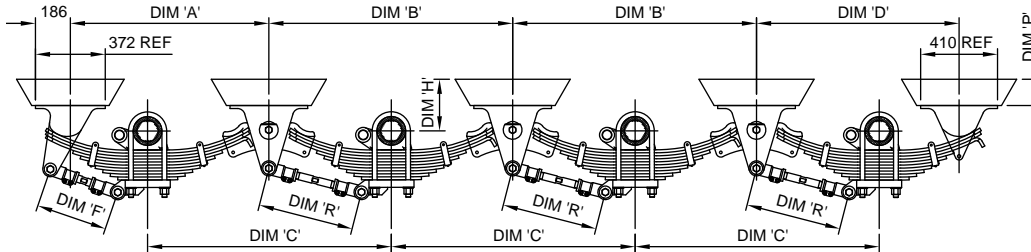
- 'H' (1) = With 10 Leaf Springs
- 'H' (2) = With 11 Leaf Springs
- 'H' (3) = With 10 Leaf H/D Springs
- 'H' (4) = With 11 Leaf H/D Springs

# YTB90 UNDERSLUNG

18.0 – 22.0 TONNE CAPACITY PER AXLE

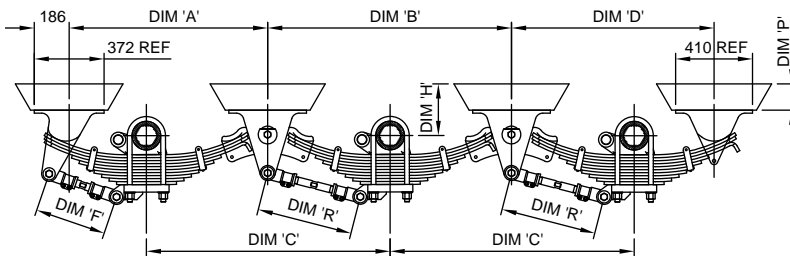
## QUAD-AXLE SUSPENSION

AXLE SPACINGS 1300mm and 1550mm  
ADR NO 12219SS



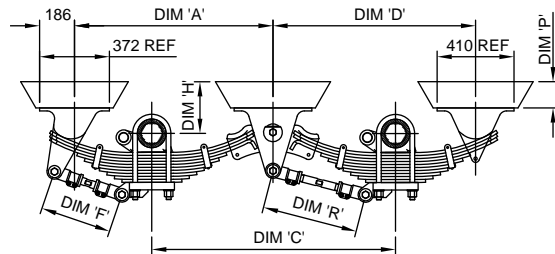
## TRI-AXLE SUSPENSION

AXLE SPACINGS 1300mm and 1550mm  
ADR NO 12218SS



## TANDEM AXLE SUSPENSION

AXLE SPACINGS 1300mm and 1550mm  
ADR NO 12217SS



Model	Axle Spacing (mm)	'A' (mm)	'B' (mm)	'C' (mm)	'D' (mm)	'F' (mm)	'R' (mm)	'H' (mm)	'P' (mm)
YTB2D/YTB3D/YTB4D	1300 Nominal	1058	1300	1300	1080	380	510	275	140
YTB2C/YTB3C/YTB4C	1550 Nominal	1183	1550	1550	1205	380	630	275	140

Unladen Condition

**Notes:**

- 1) Packers must be fitted to all suspension hangers as shown, the packers are not supplied as part of the suspension kit.

# YTE90 OVERSLUNG

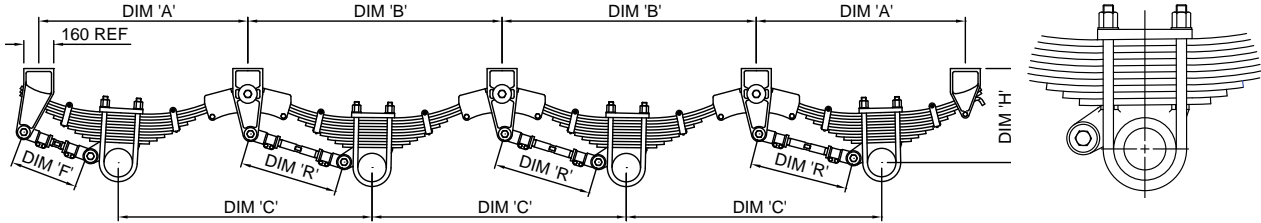
10 LEAF SPRING – 18.0 TONNE CAPACITY PER AXLE

## QUAD-AXLE SUSPENSION

AXLE SPACINGS 1300mm and 1540mm  
APPROX. WEIGHT 1290kg

## OPTIONAL:

U BOLT MOUNTING

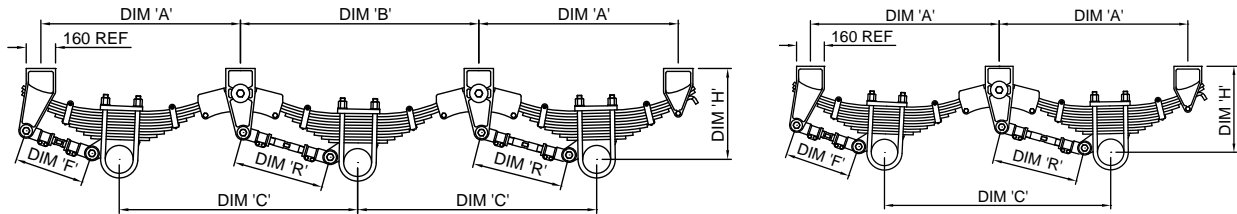


## TRI-AXLE SUSPENSION

AXLE SPACINGS 1300mm and 1540mm  
APPROX. WEIGHT 970kg

## TANDEM AXLE SUSPENSION

AXLE SPACINGS 1300mm and 1540mm  
APPROX. WEIGHT 660kg



Axle Spacing (mm)	'A' (mm)	'B' (mm)	'C' (mm)	152mm (6") Round			152mm (6") Square		
				'F' (mm)	'R' (mm)	'H' (mm)	'F' (mm)	'R' (mm)	'H' (mm)
1,300	1,088	1,300	1,300	380	525	485	380	525	485
1,540	1,208	1,540	1,540	380	620	485	380	620	485

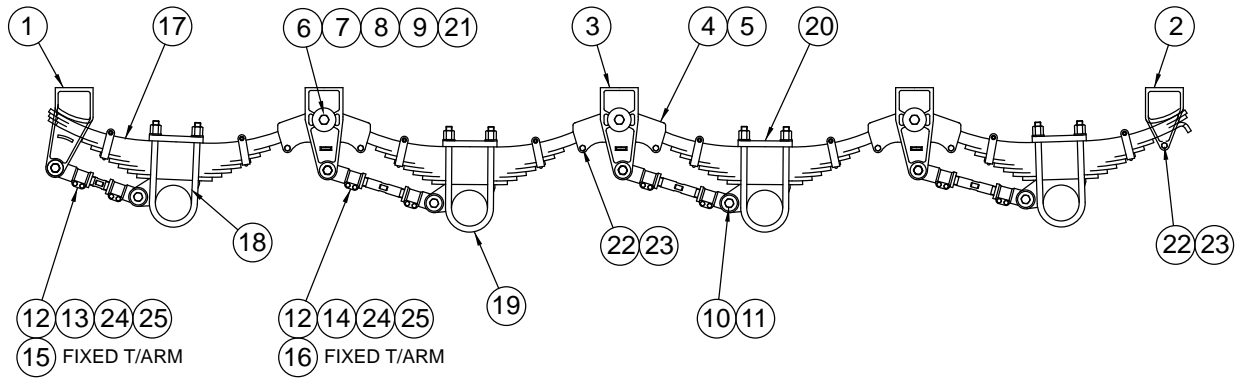
Unladen Condition

Axle Type	Axle Spacing (mm)	Kit Number
Single	–	Part number on application
Tandem	1,300	
	1,540	
Tri-Axle	1,300	
	1,540	
Quad-Axle	1,300	
	1,540	

### Notes:

- Optional 11 leaf spring – 20 tonne capacity per axle.
- Standard: bronze bush – optional vesconite bush for low maintenance available.

# YTE90 OVERSLUNG QUAD-AXLE



Item	Part Number	Description	Qty per axle
1	59930001WP	Front hanger	2
2	59930002WP	Rear hanger	2
3	59930003	Equaliser hanger	6
4	59930075	Equaliser 1300mm - M/C c/bore	6
	59930004WP	Equaliser 1300mm	6
	59930074	Equaliser 1540mm - M/C c/bore	6
	59930039WP	Equaliser 1540mm	6
	59930049	Equaliser 1360mm	6
		Equaliser 1250mm - M/C c/bore	6
		Equaliser 1250mm	6
5	59930070	Equaliser bush	6
6	59930072	Equaliser shaft	6
7	59930203	Equaliser shaft washer	6
8	49LNM30	Equaliser shaft locknut M30x3.5	6
9	59930048	Equaliser shaft grease nipple M8x1	6
10	59SB901012	Torque arm pin assy	16
		Torque arm pin	16
11	59901019P	Torque arm bush - poly	32
12	59SB900024R	Adj. torque arm end assy RH	4
		Adj. torque arm end RH	4
	59SB900024L	Adj. torque arm end assy LH	4
		Adj. torque arm end LH	4
13	5990003301	Adj. torque arm screw 260mm	1
14	5990003302	Adj. torque arm screw 350mm	3
	5990003303	Adj. torque arm screw 420mm	3
	5990003304	Adj. torque arm screw 480mm	3

Item	Part Number	Description	Qty per axle
15	59901100370	Fixed torque arm 370mm	1
	59901100380	Fixed torque arm 380mm	3
16	59901100470	Fixed torque arm 470mm	3
	59901100495	Fixed torque arm 495mm	3
	59901100525	Fixed torque arm 530mm	3
	59930045620	Fixed torque arm 620mm	3
17	59930010	Spring 10 leaf x 16mm	3
	59930022	Spring 11 leaf x 16mm	8
	59930079	Spring 11 leaf heavy duty x 18mm	8
	59930076	Spring 10 leaf heavy duty x 20mm	8
18	59930030	Spring seat 152mm rnd x 25mm	8
	59930086	Spring seat 152mm sqr x 25mm overslung	8
	59930046	Spring seat 127mm rnd x 40mm	8
19		U-bolt 152 rnd x 410mm x 1" UNF	16
	59901109430	U-bolt 152 rnd x 430mm x 1" UNF	16
	59901108430	U-bolt 152 sqr x 430mm x 1" UNF	16
		U-bolt 127 rnd x 395mm x 1" UNF	16
20	5993004702	Spring top plate 152mm rnd & sqr	8
	5993004701	Spring top plate 127mm rnd	8
21	59930071	Lip seal - equaliser shaft	8
22	49HB58UNC600	Drop out bolt 5/8" UNC x 6"	14
23	49LN58UNC	Drop out bolt locknut 5/8" UNC	14
24	59901001	Adj. torque arm bolt 1/2" UNF	16
25	59901004	Nyloc nut 1/2" UNF	16

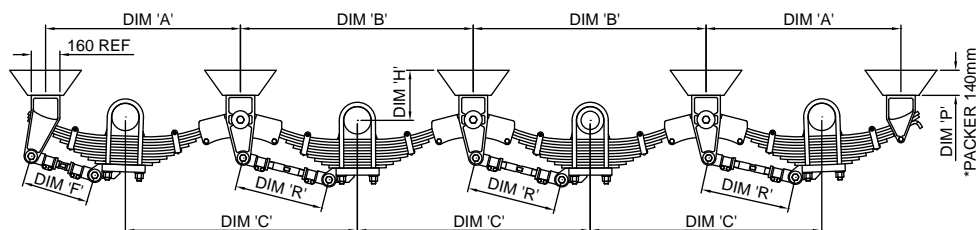
# YTE90 UNDERSLUNG

10 LEAF SPRING – 20.0 TONNE CAPACITY PER AXLE

## QUAD-AXLE SUSPENSION

AXLE SPACINGS 1300mm and 1540mm

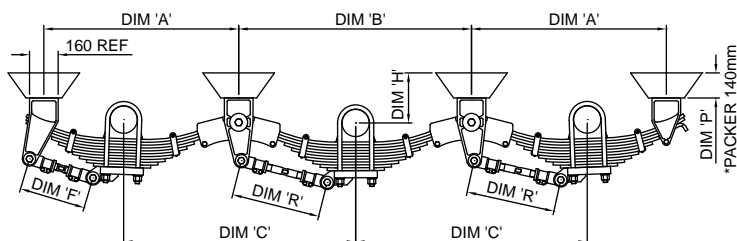
APPROX. WEIGHT 1300kg



## TRI-AXLE SUSPENSION

AXLE SPACINGS 1300mm and 1540mm

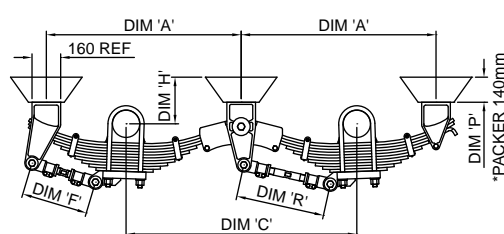
APPROX. WEIGHT 995kg



## TANDEM AXLE SUSPENSION

AXLE SPACINGS 1300mm and 1540mm

APPROX. WEIGHT 655kg



Axle Spacing (mm)	'A' (mm)	'B' (mm)	'C' (mm)	152mm (6") Round			152mm (6") Square		
				'F' (mm)	'R' (mm)	'H' (mm)	'F' (mm)	'R' (mm)	'H' (mm)
1,300	1,088	1,300	1,300	370	495	260	370	495	260
1,540	1,208	1,540	1,540	370	605	260	370	605	260

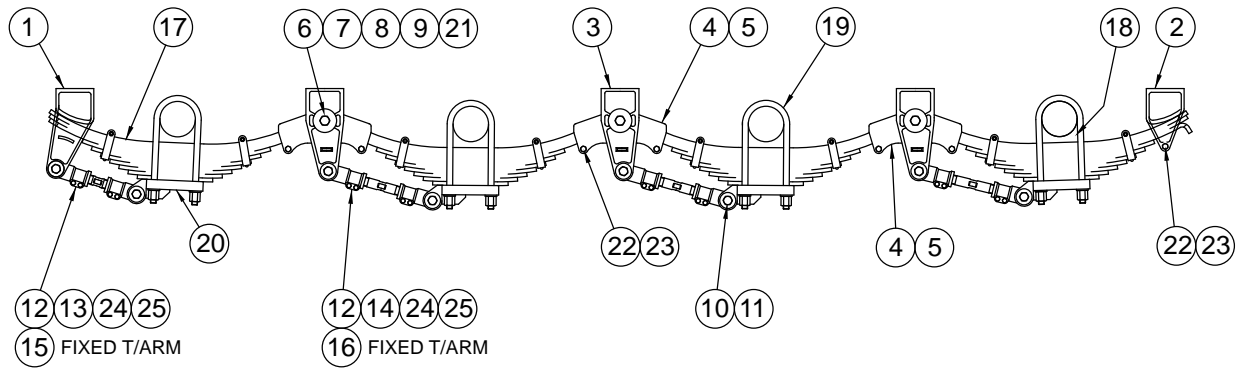
Unladen Condition

### Notes:

- 1) Standard: bronze bush – optional vesconite bush for low maintenance available.
- 2) Dim "P" packer fitted to all suspension hangers as shown, packers are not supplied as part of the suspension kit.
- 3) Optional 11 leaf spring – 20 tonne capacity per axle.



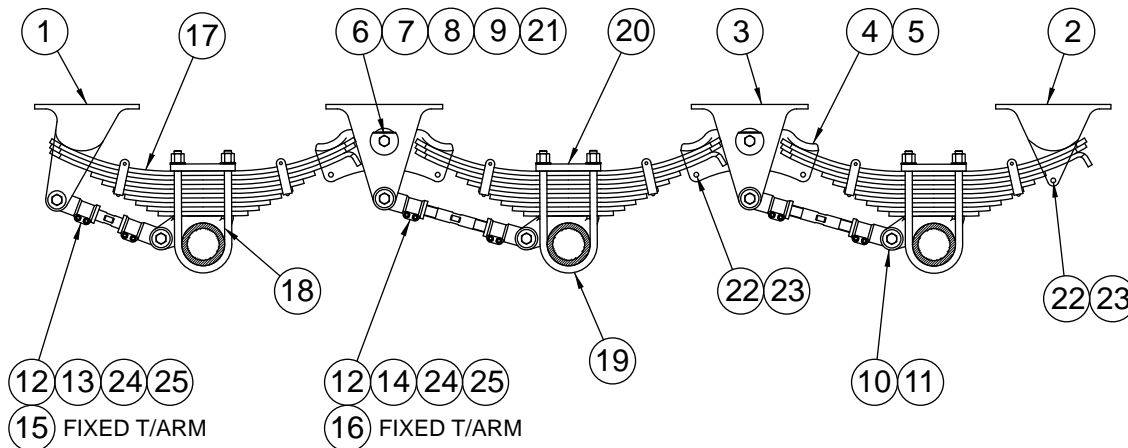
# YTE90 UNDERSLUNG QUAD-AXLE



Item	Part Number	Description	Qty per axle
1	59930001WP	Front hanger	2
2	59930002WP	Rear hanger	2
3		Equaliser hanger	6
4	59930075	Equaliser 1300mm - M/C c/bore	6
	59930004WP	Equaliser 1300mm	6
	59930074	Equaliser 1540mm - M/C c/bore	6
	59930039WP	Equaliser 1540mm	6
	59930049	Equaliser 1360mm	6
		Equaliser 1250mm - M/C c/bore	6
		Equaliser 1250mm	6
5	59930070	Equaliser bush	6
6	59930072	Equaliser shaft	6
7	59930203	Equaliser shaft washer	6
8	49LNM30	Equaliser shaft locknut M30x3.5	6
9	59930048	Equaliser shaft grease nipple M8x1	6
10	59SB901012	Torque arm pin assy	16
		Torque arm pin	16
11	59901019P	Torque arm bush - poly	32
12	59SB900024R	Adj. torque arm end assy RH	4
		Adj. torque arm end RH	4
	59SB900024L	Adj. torque arm end assy LH	4
		Adj. torque arm end LH	4
13	5990003301	Adj. torque arm screw 260mm	3
14	5990003302	Adj. torque arm screw 350mm	3
	5990003303	Adj. torque arm screw 420mm	3
	5990003304	Adj. torque arm screw 480mm	3

Item	Part Number	Description	Qty per axle
15	59901100370	Fixed torque arm 370mm	1
	59901100380	Fixed torque arm 380mm	3
16	59901100470	Fixed torque arm 470mm	3
	59901100495	Fixed torque arm 495mm	3
		Fixed torque arm 530mm	3
	59930045620	Fixed torque arm 620mm	3
17	59930010	Spring 10 leaf x 16mm	3
	59930022	Spring 11 leaf x 16mm	8
	59930079	Spring 11 leaf heavy duty x 18mm	8
	59930076	Spring 10 leaf heavy duty x 20mm	8
18	59930030	Spring seat 152mm rnd x 25mm	8
	59930085	Spring seat 152mm sqr x 25mm underslung	8
	59930046	Spring seat 127mm rnd x 40mm	8
19	59901109430	U-bolt 152 rnd x 430mm x 1"UNF	16
	59901109450	U-bolt 152 rnd x 450mm x 1"UNF	16
	59901108430	U-bolt 152 sqr x 430mm x 1"UNF	16
	59901108455	U-bolt 152 sqr x 455mm x 1"UNF	16
		U-bolt 127 rnd x 445mm x 1"UNF	16
20	59930042	Spring clamp plate 152mm rnd & sqr	8
	5993004201	Spring clamp plate 127mm rnd	8
21	59930071	Lip seal - equaliser shaft	8
22	49HB58UNC600	Drop out bolt 5/8" UNC x 6"	14
23	49LN58UNC	Drop out bolt locknut 5/8" UNC	14
24	59901001	Adj. torque arm bolt 1/2" UNF	16
25	59901004	Nyloc nut 1/2" UNF	16

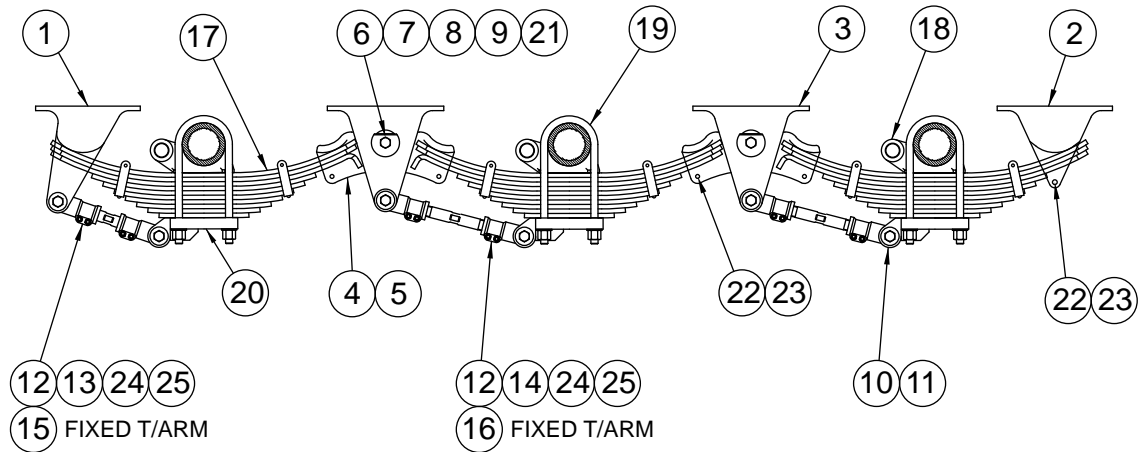
# YTB90 OVERSLUNG TRI-AXLE – STANDARD DUTY



Item	Part Number	Description	Qty per axle
1	59930081	Front hanger	2
2	59930080	Rear hanger	2
3	59930082	Equaliser hanger	4
4	59930083	Equaliser 1300mm	4
	59930084	Equaliser 1550mm	4
5	59930070	Equaliser bush	4
6	59930072	Equaliser shaft	4
7	59930203	Equaliser shaft washer	4
8	49LNM30	Equaliser shaft locknut M30x3.5	4
9	59930048	Equaliser shaft grease nipple M8x1	4
10	59SB901012	Torque arm pin assy	12
		Torque arm pin	12
11	59901019P	Torque arm bush - poly	8
12	59SB900024R	Adj. torque arm end assy RH	3
		Adj. torque arm end RH	3
	59SB900024L	Adj. torque arm end assy LH	3
		Adj. torque arm end LH	3
13	5990003301	Adj. torque arm screw 260mm	1
14	5990003302	Adj. torque arm screw 350mm	2
	5990003304	Adj. torque arm screw 480mm	2
15	59901100395	Fixed torque arm 395mm	1

Item	Part Number	Description	Qty per axle
16	59901100525	Fixed torque arm 525mm	1
	59930045645	Fixed torque arm 645mm	1
17	59930010	Spring 10 leaf x 16mm	6
	59930022	Spring 11 leaf x 16mm	6
18	59930030	Spring seat 152mm rnd x 25mm	6
	59930086	Spring seat 152mm sqr x 25mm overslung	6
	59930046	Spring seat 127mm rnd x 40mm	6
19	59901109410	U-bolt 152 rnd x 410mm x 1"UNF	12
	59901109430	U-bolt 152 rnd x 430mm x 1"UNF	12
	59901108430	U-bolt 152 sqr x 430mm x 1"UNF	12
	59901106410	U-bolt 127 rnd x 410mm x 1"UNF	12
20	5993004702	Spring top plate 152mm rnd & sqr	6
	5993004701	Spring top plate 127mm rnd	6
21	59930071	Lip seal - equaliser shaft	4
22	49HB58UNC600	Drop out bolt 5/8" UNC x 6"	10
23	49LN58UNC	Drop out bolt locknut 5/8" UNC	10
24	59901001	Adj. torque arm bolt 1/2" UNF	12
25	59901004	Nyloc nut 1/2" UNF	12
#	59930087	Saddle u-bolt 150mm sqr	6
#	59930094645	Fixed torque arm 645mm heavy duty	1

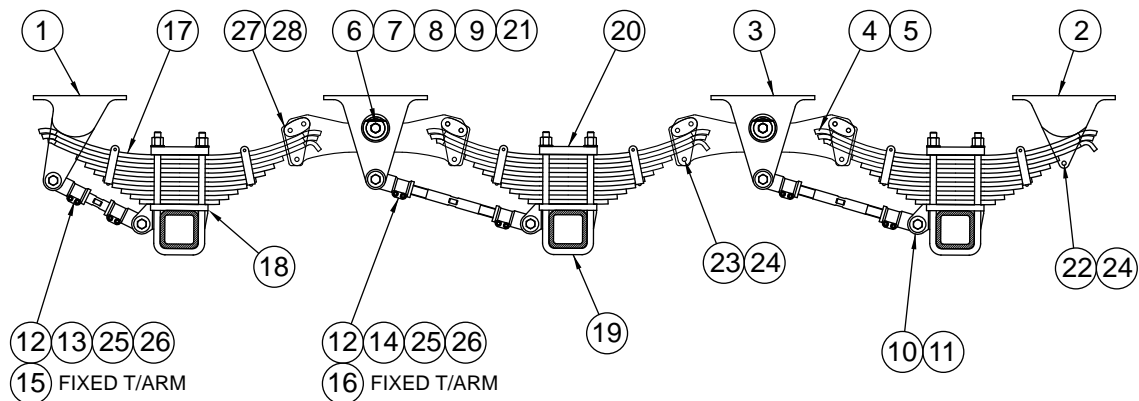
# YTB90 UNDERSLUNG TRI-AXLE – STANDARD DUTY



Item	Part Number	Description	Qty per axle
1	59930081	Front hanger	2
2	59930080	Rear hanger	2
3	59930082	Equaliser hanger	4
4	59930083	Equaliser 1300mm	4
	59930084	Equaliser 1550mm	4
5	59930070	Equaliser bush	4
6	59930072	Equaliser shaft	4
7	59930203	Equaliser shaft washer	4
8	49LNM30	Equaliser shaft locknut M30x3.5	4
9	59930048	Equaliser shaft grease nipple M8x1	4
10	59SB901012	Torque arm pin Assy	12
	59901012	Torque arm pin	12
11	59901019P	Torque arm bush - poly	8
12	59SB900024R	Adj. torque arm end Assy RH	3
	59900024R	Adj. torque arm end RH	3
	59SB900024L	Adj. torque arm end Assy LH	3
	59900024L	Adj. torque arm end LH	3
13	5990003301	Adj. torque arm screw 260mm	1
14	5990003302	Adj. torque arm screw 350mm	2
	5990003304	Adj. torque arm screw 480mm	2
15	59901100380	Fixed torque arm 395mm	1

Item	Part Number	Description	Qty per axle
16	59930045510	Fixed torque arm 510mm	1
	59930045630	Fixed torque arm 630mm	1
17	59930010	Spring 10 leaf x 16mm	6
	59930022	Spring 11 leaf x 16mm	6
18	59930030	Spring seat 152mm rnd x 25mm	6
	59930085	Spring seat 152mm sqr x 25mm underslung	6
	59930046	Spring seat 127mm rnd x 40mm	6
19	59901109430	U-bolt 152 rnd x 430mm x 1" UNF	12
	59901109450	U-bolt 152 rnd x 450mm x 1" UNF	12
	59901108455	U-bolt 152 sqr x 455mm x 1" UNF	12
	59901106445	U-bolt 127 rnd x 445mm x 1" UNF	12
20	59930042	Spring clamp plate 152mm rnd & sqr	6
	5993004201	Spring clamp plate 127mm rnd	6
21	59930071	Lip seal - equaliser shaft	4
22	49HB58UNC600	Drop out bolt 5/8" UNC x 6"	10
23	49LN58UNC	Drop out bolt locknut 5/8" UNC	10
24	59901001	Adj. torque arm bolt 1/2" UNF	12
25	59901004	Nyloc nut 1/2" UNF	12
26	59930087	Saddle u-bolt 150mm sqr	6
#	59930094630	Fixed torque arm 645mm heavy duty	1

# YTB90 OVERSLUNG TRI-AXLE – HEAVY DUTY



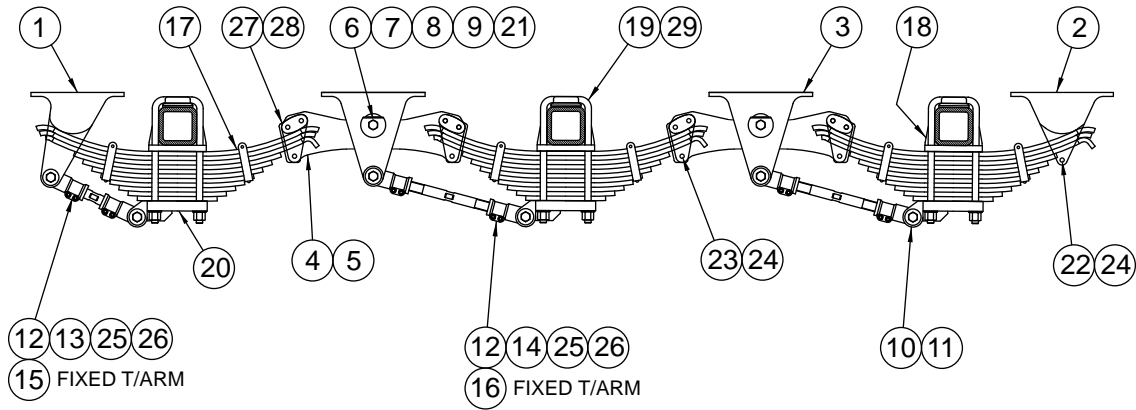
Item	Part Number	Description	Qty per axle
1	59930081	Front hanger	2
2	59930080	Rear hanger	2
3	59930082	Equaliser hanger	4
4	59930230	Equaliser 1550mm - fabricated	4
	59930083	Equaliser 1300mm	4
5	59930070	Equaliser bush	4
6	59930072	Equaliser shaft	4
7	59930203	Equaliser shaft washer	4
8	49LNM30	Equaliser shaft locknut M30x3.5	4
9	59930048	Equaliser shaft grease nipple M8x1	4
10	59SB901012	Torque arm pin assy	12
		Torque arm pin	12
11	59901019P	Torque arm bush - poly	8
12	59SB900024R	Adj. torque arm end assy RH	3
		Adj. torque arm end RH	3
	59SB900024L	Adj. torque arm end assy LH	3
		Adj. torque arm end LH	3
13	5990003301	Adj. torque arm screw 260mm	1
14	5990003302	Adj. torque arm screw 350mm	2
	5990003304	Adj. torque arm screw 480mm	2
15	59901100395	Fixed torque arm 395mm	1
16	59901100525	Fixed torque arm 525mm	1
	59930094645	Fixed torque arm 645mm	1

Item	Part Number	Description	Qty per axle
17	59930079	Spring 11 leaf heavy duty x 18mm	6
	59930076	Spring 10 leaf heavy duty x 20mm	6
18	59930030	Spring seat 152mm rnd x 25mm	6
	59930086	Spring seat 152mm sqr x 25mm overslung	6
19	59901109450	U-bolt 152 rnd x 450mm x 1"UNF	6
	59901108455	U-bolt 152 sqr x 455mm x 1"UNF	12
	59901108465 **	U-bolt 152 sqr x 455mm x 1"UNF	12
20	5993004702	Spring top plate 152mm rnd & sqr	12
21	59930071	Lip seal - equaliser shaft	12
22	49HB58UNC600	Drop out bolt 5/8" UNC x 6.00"	6
23	49HB58UNC700L9	Spring pad bolt 5/8" UNC x 7"	6
		Spring pad bolt M16x60	4
24	49LN58UNC	Drop out bolt locknut 5/8" UNC	10
	49LNM16	Drop out bolt locknut M16	10
25	59901001	Adj. torque arm bolt 1/2" UNF	12
26	59901004	Nyloc nut 1/2" UNF	12
27	59930233	Wear plate - fabricated equaliser	6
28	59930234	Spring pad - fabricated equaliser	6
#	59930087	Saddle u-bolt 150mm sqr	6

### Legend

#	Part available but not shown on spare parts diagram
**	Optional part available for a susp. build or spare part only

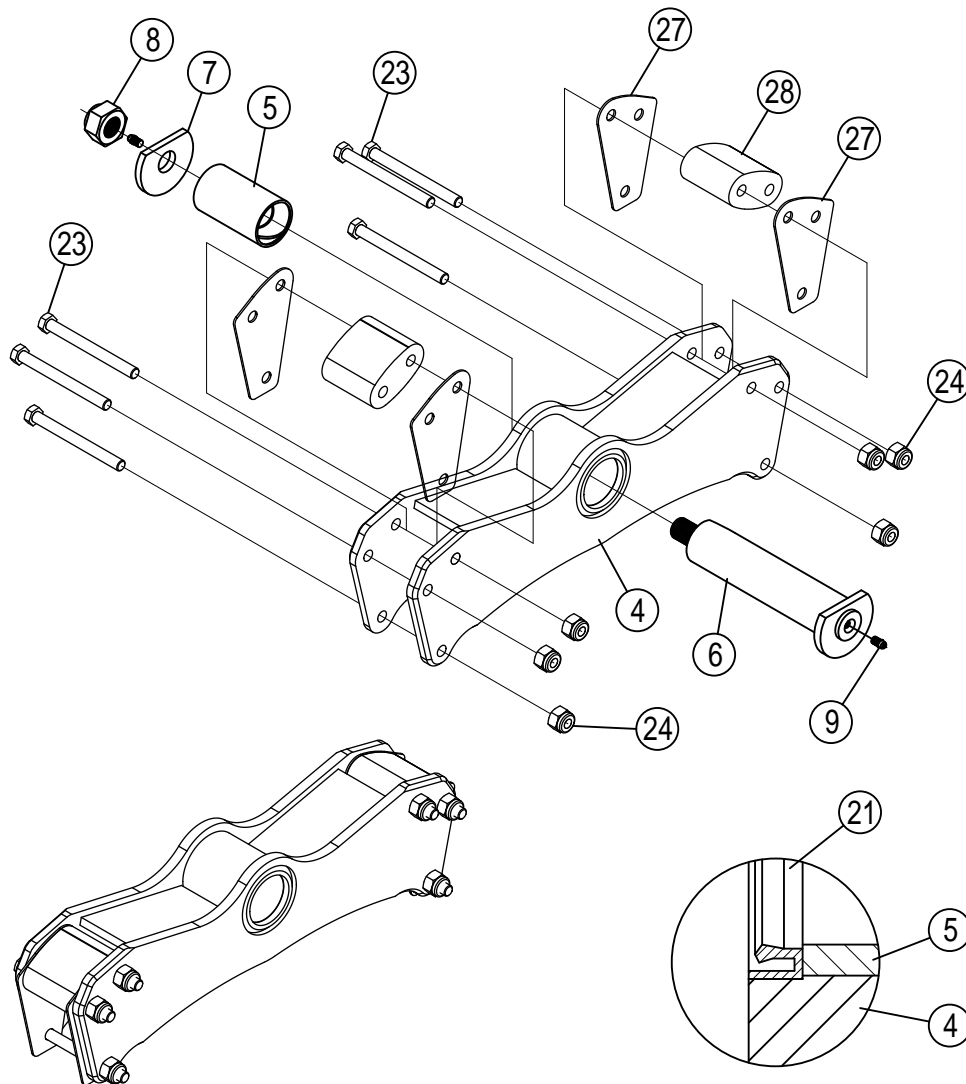
# YTB90 UNDERSLUNG – HEAVY DUTY



Item	Part Number	Description	Qty per axle
1	59930081	Front hanger	2
2	59930080	Rear hanger	2
3	59930082	Equaliser hanger	4
4	59930230	Equaliser 1550mm - fabricated	4
	59930083	Equaliser 1300mm	4
5	59930070	Equaliser bush	4
6	59930072	Equaliser shaft	4
7	59930203	Equaliser shaft washer	4
8	49LNM30	Equaliser shaft locknut M30x3.5	4
9	59930048	Equaliser shaft grease nipple M8x1	4
10	59SB901012	Torque arm pin assy	12
		Torque arm pin	12
11	59901019P	Torque arm bush - poly	8
12	59SB900024R	Adj. torque arm end assy RH	3
		Adj. torque arm end RH	3
	59SB900024L	Adj. torque arm end assy LH	3
		Adj. torque arm end LH	3
13	5990003301	Adj. torque arm screw 260mm	1
14	5990003302	Adj. torque arm screw 350mm	2
	5990003304	Adj. torque arm screw 480mm	2
15	59901100380	Fixed torque arm 380mm	1

Item	Part Number	Description	Qty per axle
16	59930094510	Fixed torque arm 510mm	1
	59930094630	Fixed torque arm 630mm	1
17	59930079	Spring 11 leaf heavy duty x 18mm	6
	59930076	Spring 10 leaf heavy duty x 20mm	6
18	59930030	Spring seat 152mm rnd x 25mm	6
	59930085	Spring seat 152mm sqr x 25mm underslung	6
19		U-bolt 152 rnd x 465mm x 1"UNF	12
	59901108480	U-bolt 152 sqr x 480mm x 1"UNF	12
20	59930042	Spring clamp plate 152mm rnd & sqr	6
21	59930071	Lip seal - equaliser shaft	4
22	49HB58UNC600	Drop out bolt 5/8" UNC x 6.00"	10
23	49HB58UNC700L9	Spring pad bolt 5/8" UNC x 7"	10
		Spring pad bolt M16x60	12
24	49LN58UNC	Drop out bolt locknut 5/8" UNC	12
	49LNM16 **	Drop out bolt locknut M16	6
25	59901001	Adj. torque arm bolt 1/2" UNF	6
26	59901004	Nyloc nut 1/2" UNF	6
27	59930233	Wear plate - fabricated equaliser	6
28	59930234	Spring pad - fabricated equaliser	6
29	59930087	Saddle u-bolt 150mm sqr	6

# YTB90 HEAVY DUTY ROCKER



Item	Part Number	Description	Qty per axle
4	59930230	Equaliser 1550mm - fabricated	2
	59930083	Equaliser 1300mm	2
5	59930070	Equaliser bush	2
6	59930072	Equaliser shaft	2
7	59930203	Equaliser shaft washer	2
8	49LNM30	Equaliser shaft locknut M30x3.5	2
9	59930048	Equaliser shaft grease nipple M8x1	2

Item	Part Number	Description	Qty per axle
21	59930071	Lip seal - equaliser shaft	2
23	49HB58UNC700L9	Spring pad bolt 5/8" UNC x 7"	12
24	49LN58UNC	Drop out bolt locknut 5/8" UNC	12
27	59930233	Wear plate - fabricated equaliser	8
28	59930234	Spring pad - fabricated equaliser	4

**Notes:**

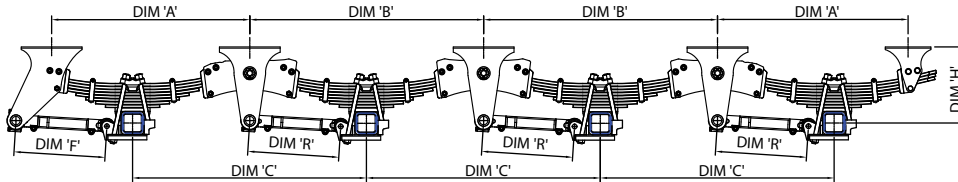
- 1) Fabricated rocker wear pad/plate, equaliser bushing and seal assembly.
- 2) Lip seal item 21 is to be fitted with the lip to the outside of the equaliser body on both sides as shown above.
- 3) Lip seal is generic in all YTB90 models.

# YTE115 OVERSLUNG

8 LEAF SPRING – 25.0 TONNE CAPACITY PER AXLE

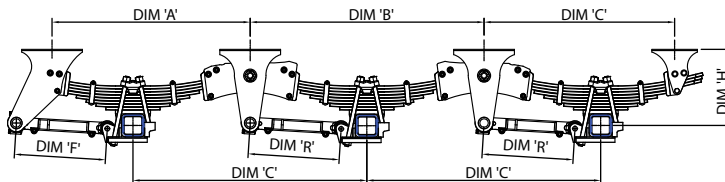
## QUAD-AXLE SUSPENSION

AXLE SPACING 1540mm  
APPROX. WEIGHT 2350kg



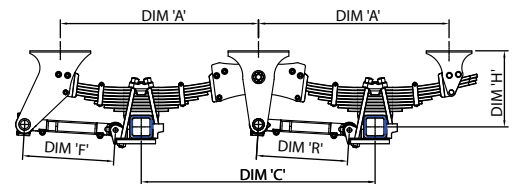
## TRI-AXLE SUSPENSION

AXLE SPACING 1540mm  
APPROX. WEIGHT 1850kg



## TANDEM AXLE SUSPENSION

AXLE SPACING 1540mm  
APPROX. WEIGHT 1300kg



Axle Spacing (mm)	'A' (mm)	'B' (mm)	'C' (mm)	Rectangular		
				'F' (mm)	'R' (mm)	'H' (mm)
1,540	1,305	1,540	1,540	600	600	500

Unladen Condition

**Notes:**

1) Availability on request

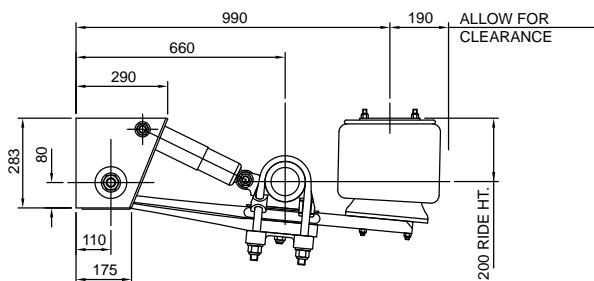
# TECAIR 1

## 11.0 TONNE CAPACITY PER MODULE

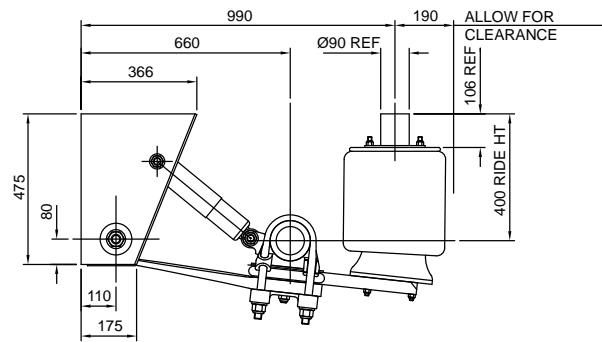
Capacity	11 Tonnes Per Module	
Standard Ride Height (mm)	Underslung 200, 300, 350, 400, 450 & 500	
	Over-slung 600	
Standard Spring Centre	960mm @ 1,850mm Axle Track Length*	*can be varied
Standard Airbag Centre	800mm @ 1,850mm Axle Track Length*	
Tare Weights approx.	200mm Ride Height Model - 210kg	
	400mm Ride Height Model - 228kg	
	Integrated Side Lift - 58kg	

Tecair 1 & 2 Approved ADR No.'s	
Single Axle	8163SS
Tandem Axle	8164SS
Tri-Axle	8162SS
Quad Axle	12567SS

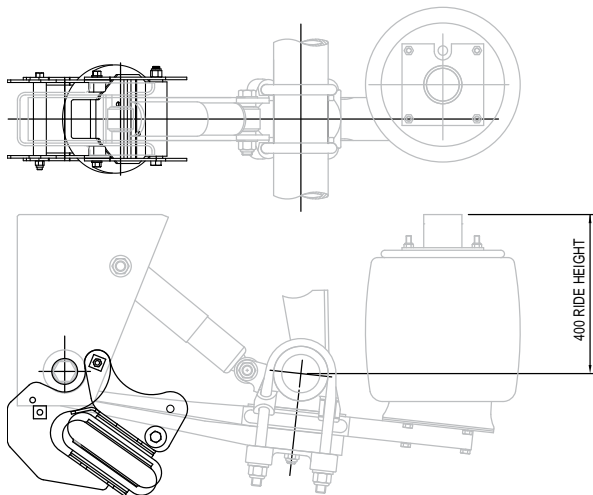
### TECAIR 1 - 200RH - STANDARD



### TECAIR 1 - 400RH - STANDARD



### COMMON BOLT ON AXLE LIFT



Ride Height (mm)	Part Number	Model No. for NEW Bolt on Axle lift
200	60782201	TALE1
300	60782301	TALE1
350	60782351	TALE1
400	60782401	TALE1
450	60782451	TALE1
500	60782501	TALE1

#### Notes:

- 1) Tecair 1 air suspension – 127mm round axle beam (16mm standard wall thickness, 19mm optional wall thickness).
- 2) Standard spring centres and air bag centres shown (YORK can vary to suit customer requests please ask your Area Sales Manager) are for axles with 1850mm track length & 10.00R20 or 11.00R22.5. Other axle track length or bigger tyre size will affect spring centres and air bag centres.
- 3) All axles have been fitted with long s-cam.
- 4) Note some low ride height models may require off set booster brackets with disc brake axles.
- 5) Ask our engineering department for lay out drawings to meet your specifications.



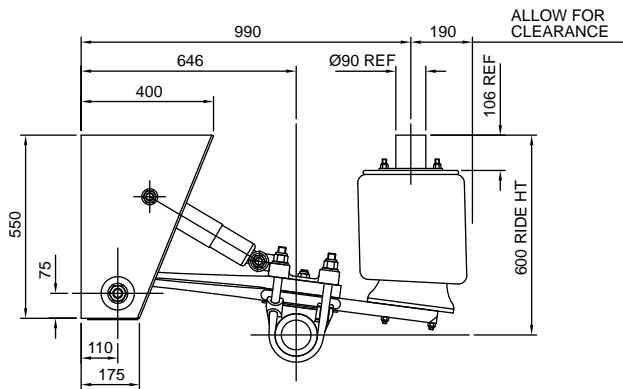
# TECAIR 1

11.0 TONNE CAPACITY PER MODULE

Capacity	11 Tonnes Per Module
Standard Spring Centre	960mm @ 1850mm Axle Track Length
Standard Airbag Centre	800mm @ 1850mm Axle Track Length

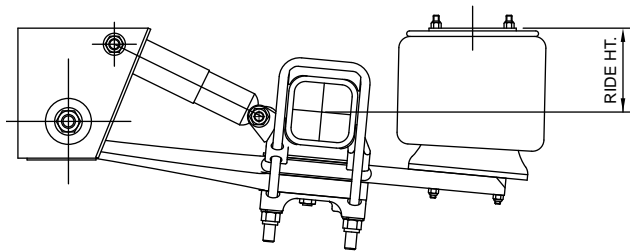
Tecair 1 & 2 Approved ADR No.'s	
Single Axle	8163SS
Tandem Axle	8164SS
Tri-Axle	8162SS
Quad Axle	12567SS

## OVERSLUNG 127MM ROUND BEAM



## UNDERSLUNG 150MM SQUARE BEAM

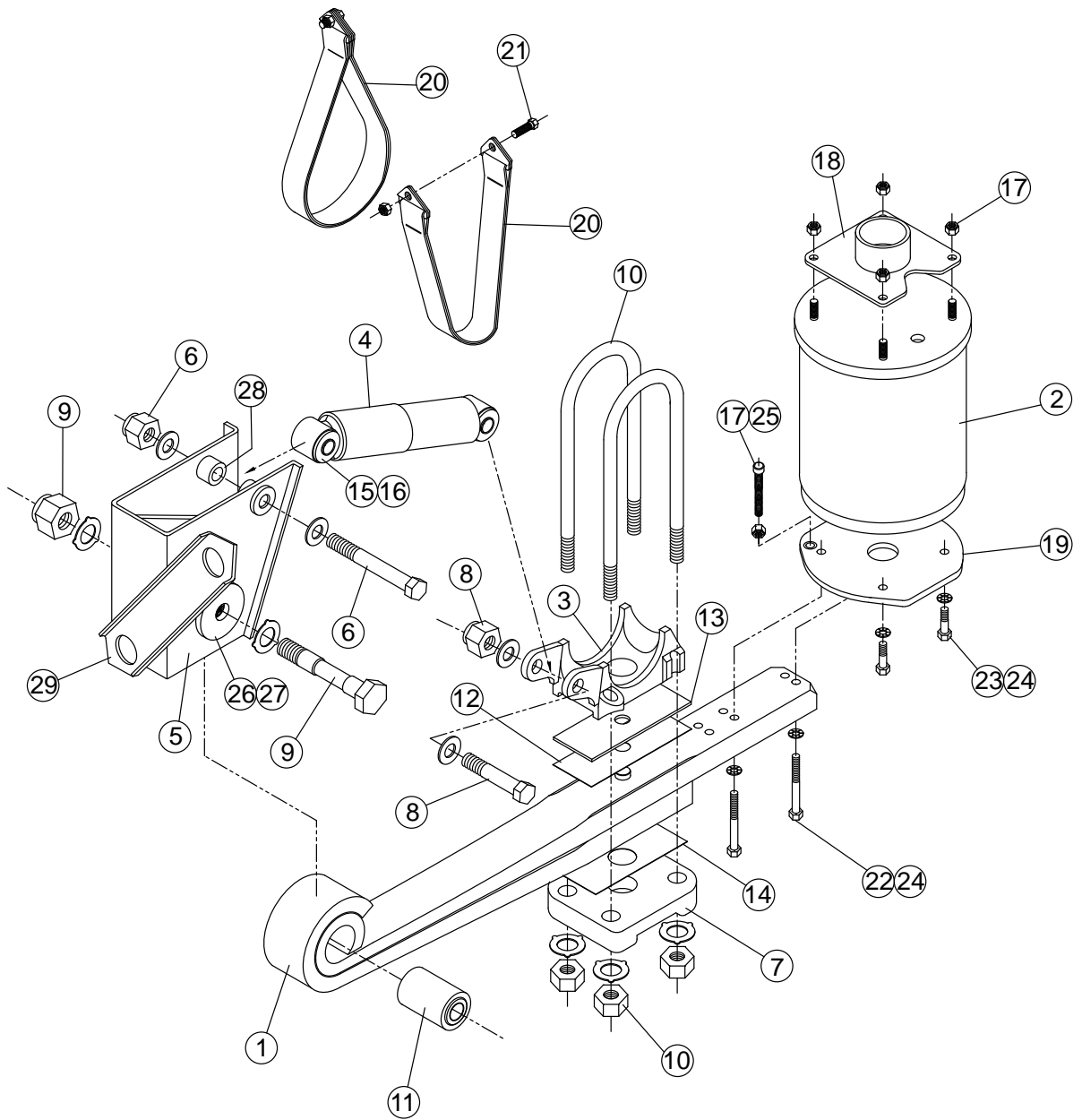
TARE WEIGHT APPROX. 210 kg



### Notes:

- 1) Tecair 1 air suspension – 127mm round axle beam (16mm standard wall thickness, 19mm optional wall thickness).
- 2) Standard spring centres and air bag centres shown (YORK can vary to suit customer requests please ask your Area Sales Manager) are for axles with 1850mm track length and 10.00R20 or 11.00R22.5. Other axle track length or bigger tyre size will affect spring centres and air bag centres.
- 3) All axles have been fitted with long s-cam.
- 4) Note some low ride height models may require off set booster brackets with disc brake axles.
- 5) Ask our engineering department for lay out drawings to meet your specifications.

# TECAIR 1



# TECAIR 1

Item	Part Number	Description	Qty per axle
1	61SB507570	Spring - 11 tonne (Includes pivot bush)	2
	61SB787800 **	Spring - 9 tonne (Includes pivot bush)	2
2	6150585901	Air Spring - 300 to 600 ride ht	2
	6150624301	Air Spring - 200 ride ht	2
3	61SB787850	Axle seat assy (with lugs and spacers)	2
	61787850	Axle seat (without lugs and spacers)	2
4	6150671702	Shock absorber heavy duty (eye type)	2
	6150671701 **	Shock absorber heavy duty (bar pin type)	2
5	61507121	Front hanger - 200 ride ht	2
	6150774102	Front hanger - 300 ride ht	2
	6150774103	Front hanger - 350 ride ht	2
	6150774104	Front hanger - 400 ride ht	2
	6150774105	Front hanger - 450 ride ht	2
	6150774106	Front hanger - 500 ride ht	2
	61787669	Front hanger - 600 ride ht	2
6	61SB786152	Top shocker bolt assy M24x180 (hex bolt)	2
7	61506235	Spring clamp plate	2
8	61SB786153	Bottom shocker bolt assembly M24x130 (hex bolt)	2
9	61SB506247	Pivot bolt assy M30x190	2
		Pivot bolt M30x190	2
10	61SB506245320	U' bolt assy M24x320	4
11	61506242	Pivot bush	2
12	61506234	Tracking plate	2
13	61506284	Shim - upper	2
14	61506294	Shim - lower	2
15	61787673	Shocker bush rubber - Boge	2
16	61787837	Shocker bush sleeve - Boge	2
17	49LNM12	Nyloc nut M12	8
18	61790542	Airbag top plate	2
		Airbag pedestal assy 56mm	2
	61790543106	Airbag pedestal assy 106mm	2
		Airbag pedestal assy 156mm	2
	61790543206	Airbag pedestal assy 206mm	2

Item	Part Number	Description	Qty per axle
19	61787688	Airbag bottom plate 80mm offset	2
20	See table below	Axle restraint strap (nylon)	1
21		Bolt assembly axle restraint strap (nylon)	1
		Bolt assembly axle restraint strap (wire rope)	1
22	49SHM12175080	Socket head bolt M12x80	4
23	49HBM12175030	Hex bolt M12x30	4
24	49SWM12	Spring washer M12	12
25	49CSM12175070	Countersunk bolt M12x70	4
26	61506227	Tecair 1 pivot boss	2
27	61506226	Tecair 1 wear pad	2
28	6150622502	Shock absorber boss straight	2
		Shock absorber boss Pre 1995 (shouldered)	2
29	6150630101	Cross brace - 400mm	2
	6150630103	Cross brace - 500mm	2
	6150630104	Cross brace - 600mm	2
#	61506248	Bar pin - lower shocker	2
#	61787983	Shock absorber lug	4
#	6178798301	Shock absorber lug spacer	4
#	61787668	Shock absorber lug 600 ride ht	4
#	61791197	Adaptor M22x1/4" NPT	2
#		M22 seal set	2

## AXLE RESTRAINT STRAP NYLON (ITEM 2)

Part Number	Ride Height	Length
61786866970	200	970
617868661170	300	1170
617868661270	350	1270
617868661370	400/450/500/600	1370

Legend	
**	Optional part available for an axle build or spare part only
#	Part available but not shown on spare parts diagram

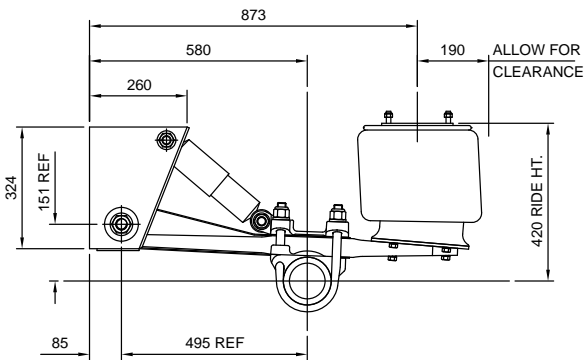
# TECAIR 2

## 9.0 TONNE CAPACITY PER MODULE

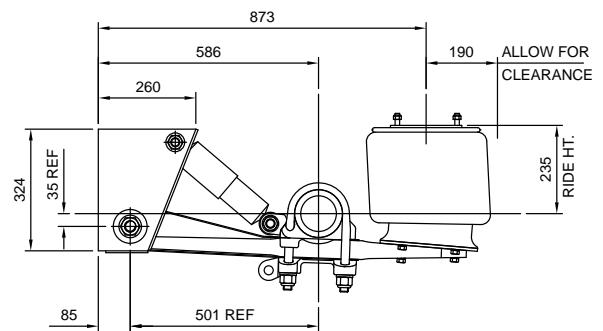
Capacity	9.0 Tonnes Per Module
Standard Spring Centre	960mm @ 1850mm Axle Track Length
Standard Airbag Centre	818mm @ 1850mm Axle Track Length

Tecair 1 & 2 Approved ADR No.'s	
Single Axle	8163SS
Tandem Axle	8164SS
Tri-Axle	8162SS

### OVERSLUNG 127MM ROUND BEAM



### UNDERSLUNG 127MM ROUND BEAM



Ride Height (mm)	Part Number
420	60787914
445	
470	60787915
495	60786927
520	60787916
545	60786923

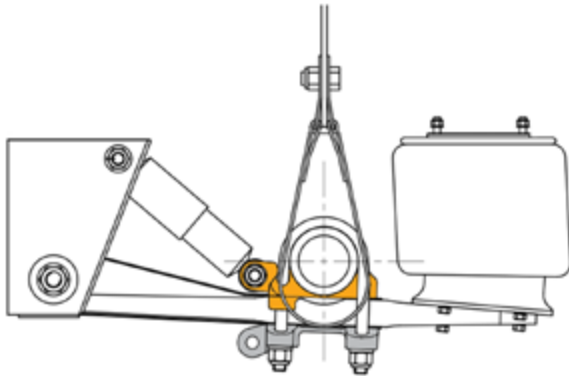
Ride Height (mm)	Part Number	Model
165	60792250	Special drum brakes only
190	60792339	Special drum brakes only
235	60787911	
260		Offset mounted shocks
260	60786170	Offset mounted shocks
285	60787912	Offset mounted shocks
285		Offset mounted shocks
310	60786926	Offset mounted shocks
335	60787913	Offset mounted shocks
335	60786173	Offset mounted shocks
360	60786922	

**Notes:**

- 1) Tecair 1 air suspension – 127mm round axle beam (16mm standard wall thickness, 19mm optional wall thickness).
- 2) Standard spring centres and air bag centres shown (YORK can vary to suit customer requests please ask your Area Sales Manager) are for axles with 1850mm track length and 10.00R20 or 11.00R22.5. Other axle track length or bigger tyre size will affect spring centres and air bag centres.
- 3) All axles have been fitted with long s-cam.
- 4) Note some low ride height models may require off set booster brackets with disc brake axles.
- 5) Ask our engineering department for lay out drawings to meet your specifications.
- 6) Disc brake models may require off set boosters brackets.

# TECAIR 2

## TECAIR 2 UNDERSLUNG

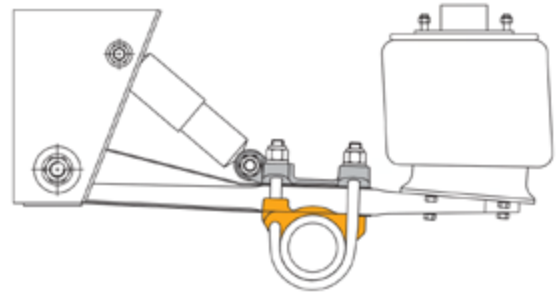


Shock Absorber Attaches to 615B787801



Clamp plate 61787807

## TECAIR 2 OVERSLUNG

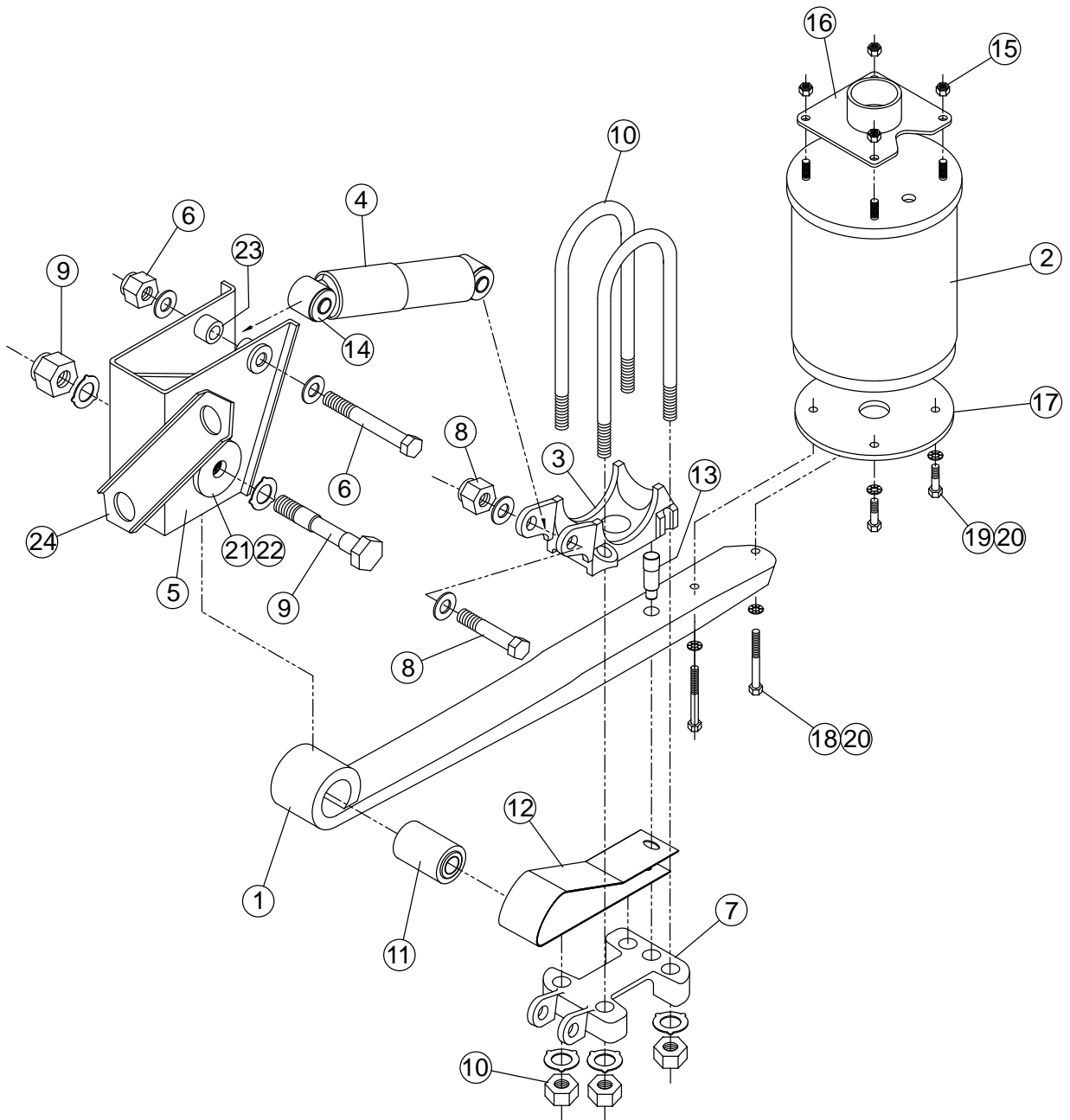


Shock Absorber Attaches to 61787807



61787801 Axle seat no lugs

# TECAIR 2



## TECAIR 2

Item	Part Number	Description	Qty per axle
1	61SB787808	Spring - 11 tonne (Includes pivot bush)	2
2	6150624301	Air Spring - all ride hts	2
3	61SB787801	Axle seat assy (with lugs)	2
	61787801	Axle seat (without lugs)	2
4	61787803	Shock absorber heavy duty	2
5	61787805	Front hanger - 235/420 ride ht	2
	617878051	Front hanger - 285/470 ride ht	2
	617878052	Front hanger - 335/520 ride ht	2
	617878053	Front hanger - 360/545 ride ht	2
		Front hanger - 600 ride ht	2
	617878055	Front hanger - 260/445 ride ht	2
	617878056	Front hanger - 310/495 ride ht	2
6	61SB786152	Top shocker bolt assy M24x180 (hex bolt)	2
7	61787807	Spring clamp plate	2
8	61SB786153	Bottom shocker bolt assembly M24x130 (hex bolt)	2
9	61SB506247	Pivot bolt assy M30x190	2
		Pivot bolt M30x190	2
10	61SB506245270	U' bolt assy M24x270	4
	61SB506245290 **	U' bolt assy M24x290	4
11	61506242	Pivot bush	2
12	61SB78730	Wrapper leaf assy	2
	61787830	Wrapper leaf	2
13	61787804	Dowel pin (spring)	2
14	61787921	Shocker bush rubber - Boge	2

Item	Part Number	Description	Qty per axle
15	49LNM12	Nyloc nut M12	8
16	61790542	Air bag top plate	2
	61790543031HOLE	Airbag pedestal assy 31mm offset	2
	61790543056	Airbag pedestal assy 56mm offset	2
	61790543106	Airbag pedestal assy 106mm offset	2
	6179054331	Airbag pedestal assy 131mm offset	2
	61790543081	Airbag pedestal assy 81mm offset	2
17	61792342HD	Airbag bottom plate 71mm offset	2
18	49HBM12175065	Hex bolt M12x65	4
19	49HBM12175030	Hex bolt M12x30	4
20	49SWM12	Spring washer M12	4
21	6178780510 †	Hanger pivot boss	2
22	6178780511	Hanger wear plate	4
23	6150622502	Shock absorber boss straight	2
		Shock absorber boss Pre 1995 (shouldered)	2
24	6150630101	Cross brace - 400mm	2
	6150630103	Cross brace - 500mm	2
	6150630104	Cross brace - 600mm	2
#	Refer YORK **	Axle restraint strap (nylon)	1
#		Bolt assembly axle restraint strap (nylon)	1
#	61787806	Shock absorber lug	2
#		Adaptor M22x1/4" NPT	2
#	61791197	M22 seal set	2

### Legend

**	Optional part available for an axle build or spare part only
#	Part available but not shown on spare parts diagram
†	All hangers do not include hanger pivot bosses

# DURATRAC

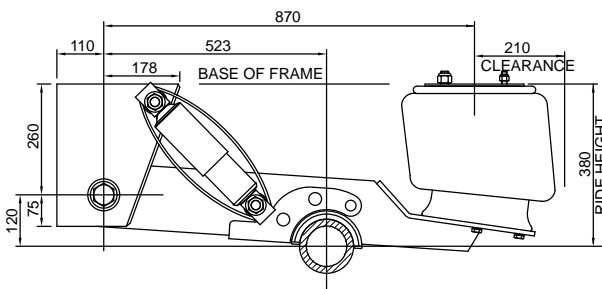
## 10.0 TONNE CAPACITY PER MODULE

Capacity	10 Tonnes Per Module
Standard Ride Height	See charts below Other ride height available on request
Axle Seat	Suits 127mm diameter round 16mm beam
Tare Weight (Without Lift)	From 145kg Dependent on ride height
Options	Axle Lift, Pneumatic Kits, Dump Kit, Raise/Lower/Hold, Pressure Retention Kit, Axle Load Indicator Kit

Axle Lift Kits
<b>Automatic Up and Down (Air Operated)</b>
60791162/07 Auto centre lift one axle
60791166/03 Auto hanger lift one axle

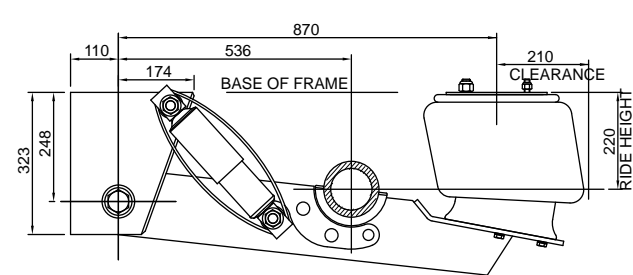
Duratrak Approved ADR No's	Standard	Optional
Single Axles	8163SS	8219SS
Tandem Axle	8164SS	8220SS
Tri-Axle	8162SS	8220SS
Quad-Axle	12567SS	

### OVERSLUNG



Part Number	Description
63630123	360mm Ride Height Overslung
63630124	380mm Ride Height Overslung
63630125	420mm Ride Height Overslung
63630126	460mm Ride Height Overslung
63630160	360mm Ride Height Overslung VMS
63630161	380mm Ride Height Overslung VMS
63630162	420mm Ride Height Overslung VMS

### UNDERSLUNG



Part Number	Description
63630117 *	220mm Ride Height Underslung (Drum)
63630118 *	240mm Ride Height Underslung (Drum)
	260mm Ride Height Underslung (Disc)
63630120	260mm Ride Height Underslung (Drum)
63630121	300mm Ride Height Underslung (Drum)
63630128	300mm Ride Height Underslung (Disc)
63630122	340mm Ride Height Underslung (Drum)
63630151	220mm Ride Height Underslung VMS
63630152	240mm Ride Height Underslung VMS
63630157	300mm Ride Height Underslung VMS

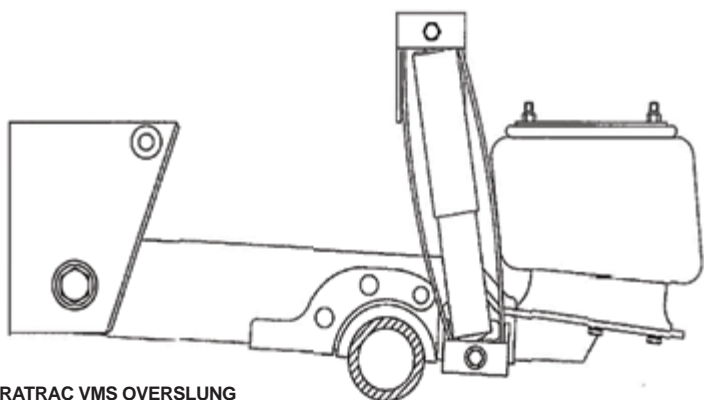
**Notes:**

- 1) Duratrak air suspension – 127mm round axle beam.
- 2) For spring centres and air bag centres please contact YORK engineering department for lay out drawing to suit your specifications.
- 3) All axles are fitted are with long camshaft.
- 4) New version coming with rear mount shocks and 300mm ride height overslung kit.
- 5) For underslung kits with disc brake axles you will require off set booster brackets to the axles.
- 6) Hanger size shown not applicable to all ride heights.

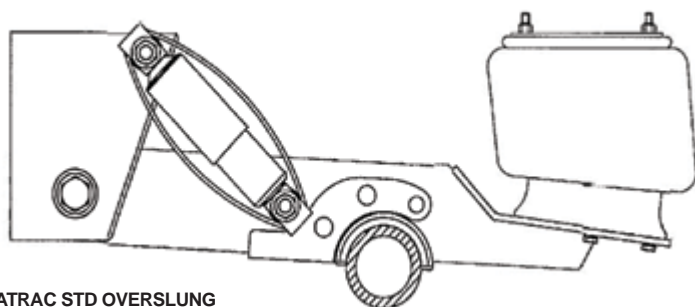


# DURATRAC

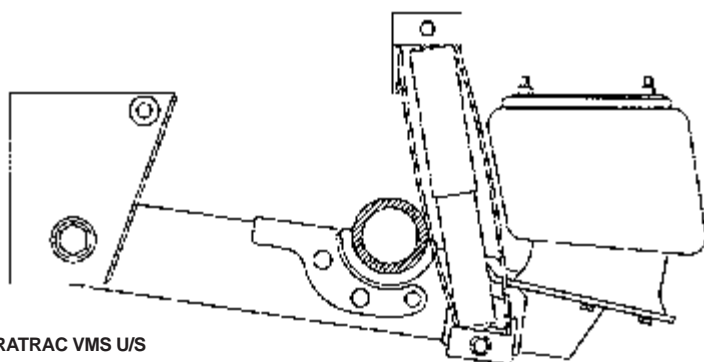
## VERTICAL MOUNT DURATRAC v STANDARD DURATRAC



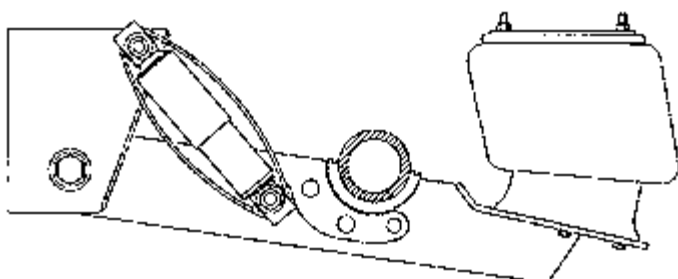
DURATRAC VMS OVERSLUNG



DURATRAC STD OVERSLUNG

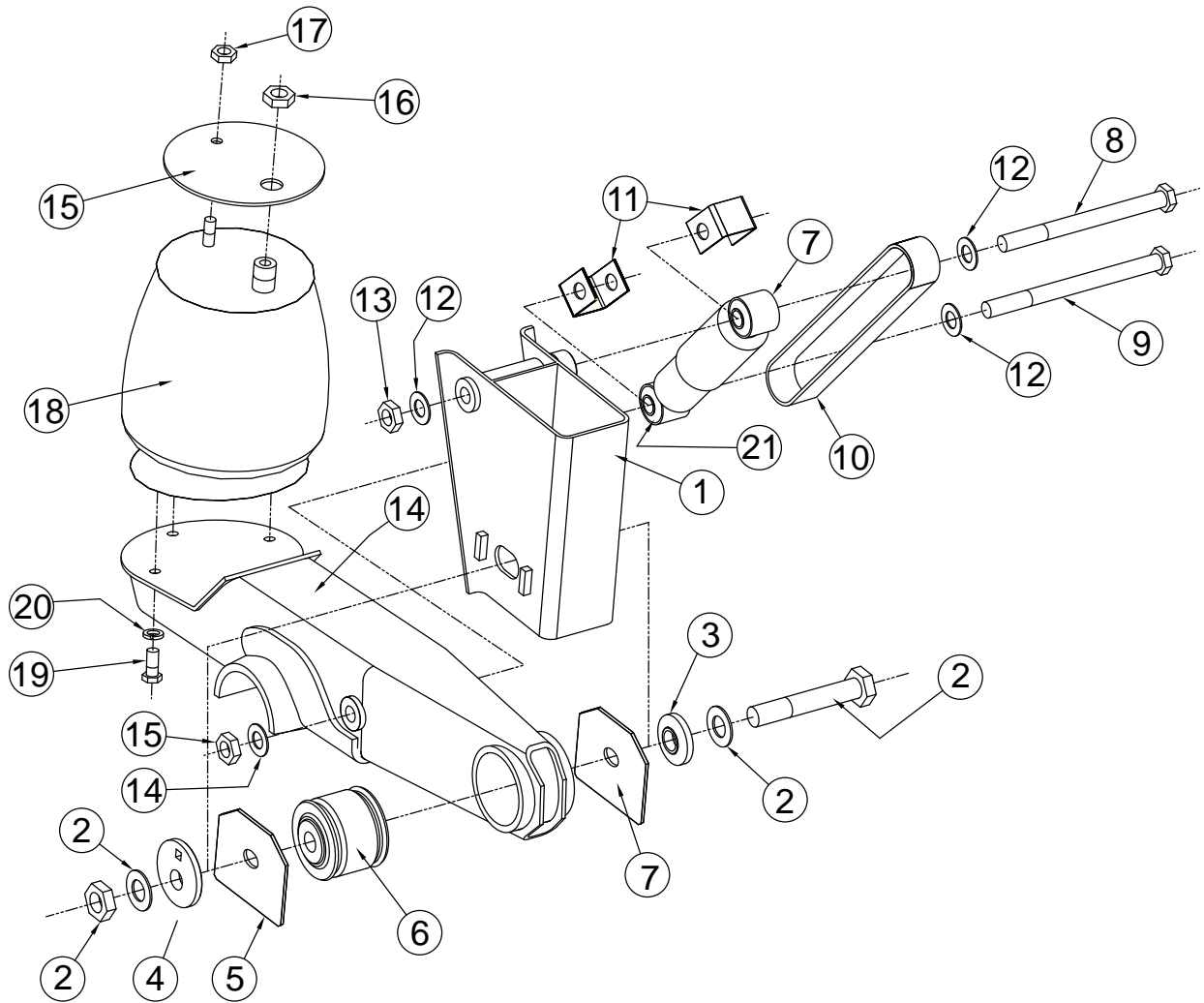


DURATRAC VMS U/S



DURATRAC STD U/S

# DURATRAC



# DURATRAC

Item	Part Number	Description	Qty per axle	
1	61610414101	Front suspension hanger LH 260/380 ride ht	2	
	61610414102	Front suspension hanger RH 260/380 ride ht	2	
	61610414201	Front suspension hanger LH 300/420 ride ht	2	
	61610414202	Front suspension hanger RH 300/420 ride ht	2	
	61610414301	Front suspension hanger LH 340/460 ride ht	2	
	61610414302	Front suspension hanger RH 340/460 ride ht	2	
	61610414401	Front suspension hanger LH 200/220/240/360	2	
	61610414402	Front suspension hanger RH 220/240/360	2	
	2	61SB506247	Pivot bolt assy M30x190	2
			Pivot bolt M30x190	2
		49LNM30	Nyloc nut M30	2
	3	61792123	Inner washer	4
4	61792120	Cam ring	2	
5	6161047801	Thrust (wear) plate	2	
6	61610477	Pivot bush	2	
7	61610442BOGE	Shock absorber	2	
8	49HBM24300280	Top shock absorber bolt M24x280 (hex bolt)	2	
	49HBM24300100 **	Top shock absorber bolt M24x100 (old style)	2	
9	49HBM24300300	Lower shock absorber bolt M24x300 (hex bolt)	2	
	49HBM24300100 **	Lower shock absorber bolt M24x100 (old style)	2	

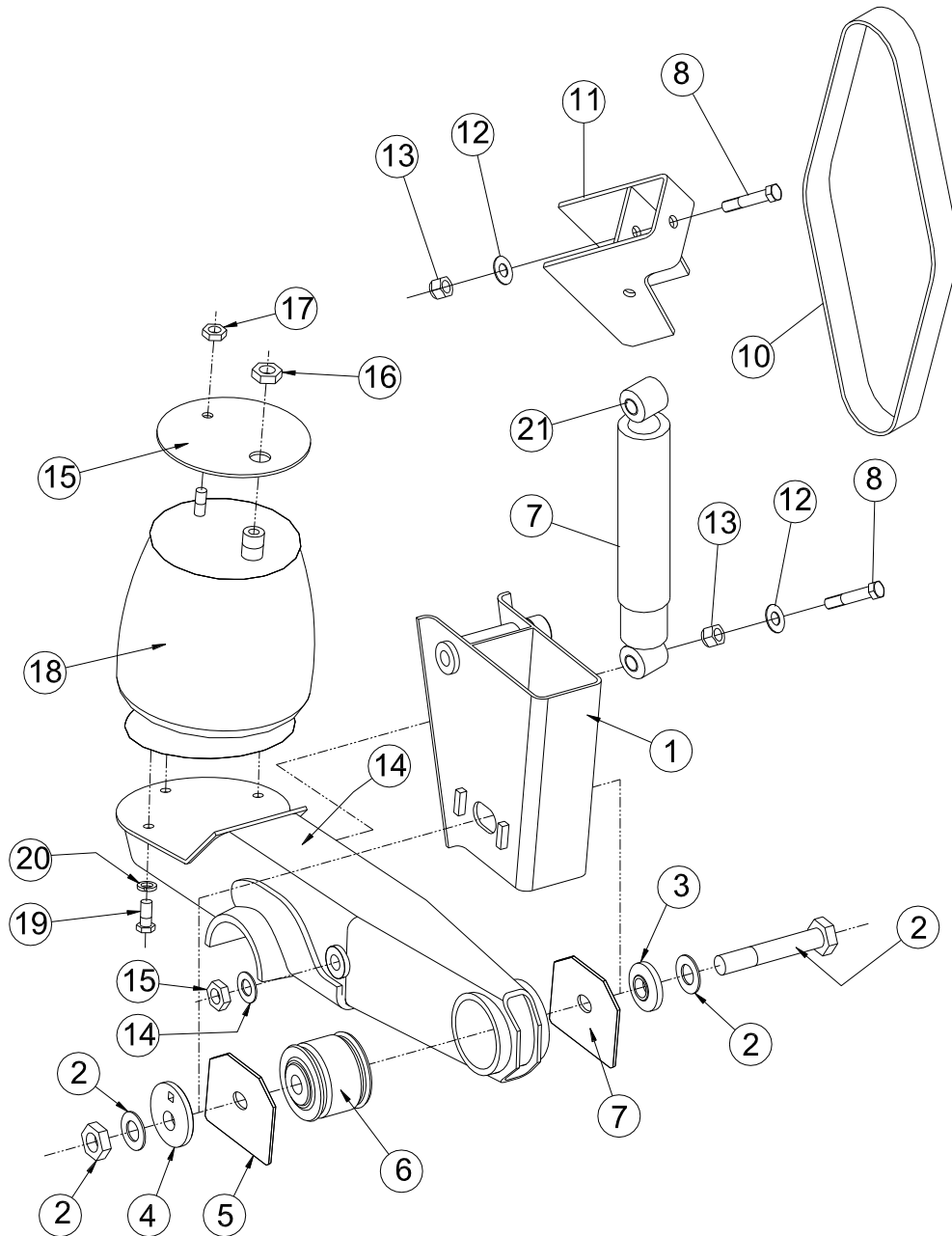
Item	Part Number	Description	Qty per axle
10	6161045701	Restraint strap - black	2
11	61610458	Restraint strap retaining bracket	2
12	61506250	H/D Flat washer M24	6
13	49LNM24	Nyloc nut M24	6
14	6161040001	Beam assy underslung LH	1
	6161040002	Beam assy underslung RH	1
	6161040401	Beam assy overslung LH	1
	6161040402	Beam assy overslung RH	1
15	61610156	Air bag top plate 220/240/260/360/380 ride ht	2
	61790543046	Airbag top plate 300/420 ride ht	2
	61790543086	Airbag top plate 340/460 ride ht	2
16	49LNT34UNF	Nyloc nut 3/4" UNF	2
17	49LNT12UNC	Nyloc nut 1/2" UNC	2
18	61610443GYR	Air Spring - all ride hts	2
19	49HB12UNC150	Hex bolt 1/2" UNCx1.50"	6
20	49SW12	Spring washer 1/2"	6
21	6161048101	Eye bush sleeve - Boge shocker	2
	6161048102	Eye bush rubber - Boge shocker	2
	61610464 **	Eye bush assy - Koni shocker	2
	6161048103	Eye Sleeve	2
	6161048104	Eye Bush	2
#	61SB610477	Pivot Bush Service Kit, includes: 1 x Pivot bush 2 x Thrust plates 2 x H/D washers M30 1 x Pivot bolt M30x190 1 x Nyloc nut M30	2
#	61SB610491	Airbag fitting kit	1
#	6150630101 **	Cross brace - 400mm	2
	6150630103 **	Cross brace - 500mm	
	6150630104 **	Cross brace - 600mm	

### Legend

**	Optional part available for an axle build or spare part only
#	Part available but not shown on spare parts diagram

# DURATRAC

## VMS SUSPENSION



# DURATRAC

## VMS SUSPENSION

Item	Part Number	Description	Qty per axle
1	61610414101	Front suspension hanger LH 260/380 ride ht	1
	61610414102	Front suspension hanger RH 260/380 ride ht	1
	61610414201	Front suspension hanger LH 300/420 ride ht	1
	61610414202	Front suspension hanger RH 300/420 ride ht	1
	61610414301	Front suspension hanger LH 340/460 ride ht	1
	61610414302	Front suspension hanger RH 340/460 ride ht	1
	61610414401	Front suspension hanger LH 220/240/360	1
	61610414402	Front suspension hanger RH 220/240/360	1
	2	61SB506247	Pivot bolt assy M30x190
61506247		Pivot bolt M30x190	2
49LNM30		Nyloc nut M30	2
3	61792123	Inner washer	2
4	61792120	Cam ring	2
5	61610478	Thrust (wear) plate	2
6	61610477	Pivot bush	2
7	61610502	Shock absorber	2
8	49HBM16200110	Top and Lower shock absorber bolt M16x2x110 (hex bolt)	2
10	6161006505	Restraint strap - red	2
11	61610054	Top shocker bracket	2
12	6150647016	H/D Flat washer M16	4
13	49LNM16	Nyloc nut M16	4
14	6161052001	Beam assy underslung LH	1
	6161052002	Beam assy underslung RH	1
	6161053001	Beam assy overslung LH	1
	6161053002	Beam assy overslung RH	1
	6161051101	Beam assy overslung droptail LH	1
	6161051102	Beam assy overslung droptail RH	1

Item	Part Number	Description	Qty per axle	
15	61610156	Air bag top plate 220/240/260/360/380 ride ht (Firestone)	2	
	6161019706	Airbag top plate 300/420 ride ht	2	
	61790543045	Airbag top plate 300/420 ride ht	2	
	6161019707	Airbag top plate 340/460 ride ht	2	
	61790543085	Airbag top plate 340/460 ride ht	2	
	61790542	Air bag top plate 220/240/260/360/380 ride ht (Goodyear)	2	
	16	49LNT34UNF	Nyloc nut 3/4" UNF (Firestone) Supplied in P/N 61SB610491 Airbag fit kit	2
		49LNM12	Nyloc nut M12 (Goodyear)	2
18	61610443	Air Spring - all ride hts (Firestone)	2	
	61610443GYR	Air Spring - all ride hts (Goodyear)	2	
19	49HB12UNC150	Hex bolt 1/2" UNCx1.50" (Fire)	6	
	49HBM12175030	Hex bolt M12x30 (Goodyear)	4	
20	49SW12	Spring washer 1/2"	6	
	49SWM12	Spring washer M12	4	
21	6161048101	Eye bush sleeve - Boge shocker	2	
	6161048102	Eye bush rubber - Boge shocker	2	
	61610464 **	Eye bush assy - Koni shocker	2	
#	61SB610477	Pivot Bush service kit, includes: 1 x Pivot bush 2 x Thrust plates 2 x H/D washers M30 1 x Pivot bolt M30x190 1 x Nyloc nut M30	2	
#	61SB610491	Airbag fitting kit (Imperial)	1	
#	61SB610491M	Airbag fitting kit (Metric)	1	
#	61791197	M22 airbag adaptor	2	
#	6150630101 **	Cross brace - 400mm	2	
#	6150630103 **	Cross brace - 500mm	2	
#	6150630104 **	Cross brace - 600mm	2	

### Legend

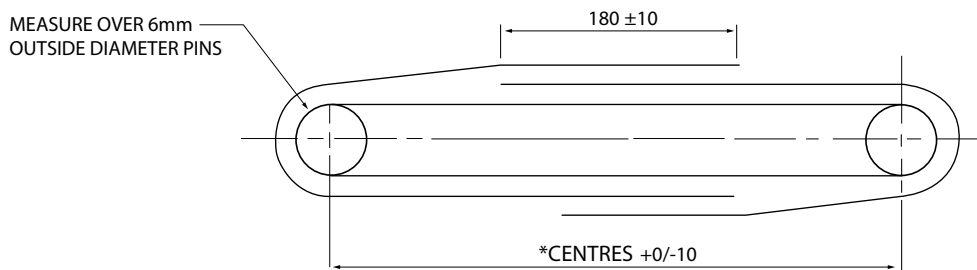
\*\* Optional part available for an axle build or spare part only

# Part available but not shown on spare parts diagram

# TECAIR FB VRH

## SHOCKER RESTRAINT STRAP

Part Number	Internal Circum	Centres	Dye Colour	Application
6161006501	1188 approx	500	Blue	Tecair FB 150/300/370
6161006502	1340 approx	575	Fluro green	Tecair FB 190/400
6161006503	1300 approx	556	Black	Special
6161006504	1130 approx	470	Orange	Special
6161006505	1385 approx	598	Red	Tecair FB VRH Underslung and Overslung (Duratrac VMS)
6161006506	1450 approx	632	Yellow	Tecair FB VRH 255/345 Variable
6161045701	929 approx	373	Black	Duratrac



**Notes:**

- 1) Material 48mm polyester web dyed to colours in suffix table above and heat set.
- 2) Minimum break strength 5800kg.
- 3) Webbing width tolerance ±5%
- 4) Polyester braid B16L thread sewing at 5-6 stitches per 25mm.  
Overlap for sewing 180mm, 8 rows of sewing per overlap.  
1 Row of sewing along each edge to join plys.
- 5) Thread to be in compliance with the requirements of AS/NZS 4380 2001.

# TECAIR FB VRH

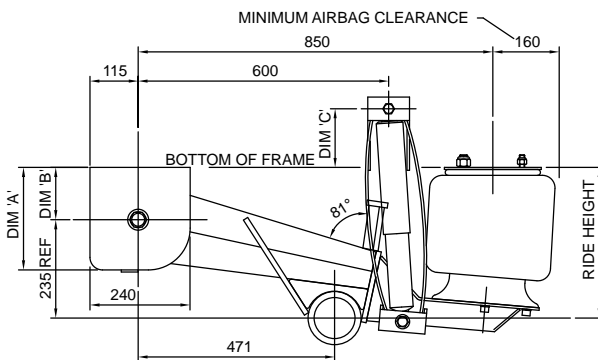
9.0 TONNE CAPACITY PER MODULE

Axle Lift Kits		
Automatic up & down air operated		
6079116207	Auto centre lift	One Axle
	Auto centre lift	Two Axle

Tecair FB VRH Approved ADR No's.	Standard	Optional
Single Axle	8163SS	8219SS
Tandem Axle	8164SS	8220SS
Tri-Axle	8163SS	8221SS

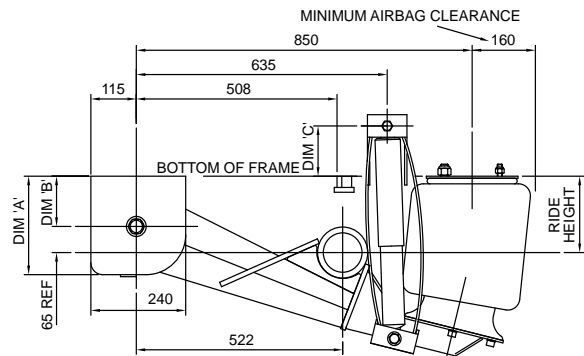
## OVERSLUNG

TARE WEIGHT (WITHOUT LIFT) APPROX. 140 kg  
(depending on ride height)



## UNDERSLUNG

TARE WEIGHT (WITHOUT LIFT) APPROX. 140 kg  
(depending on ride height)



Part Number	Model	Description
63630045	FB VRH 360S KIT	Overslung Sealed A/BAG
63630046	FB VRH 405S KIT	Overslung Sealed A/BAG
63630047	FB VRH 450S KIT	Overslung Sealed A/BAG
63630086	FB VRH 320S KIT	Overslung Sealed A/BAG
	FB VRH 420S KIT	Overslung Sealed A/BAG
63630085	FB VRH 275S KIT	Overslung Sealed A/BAG

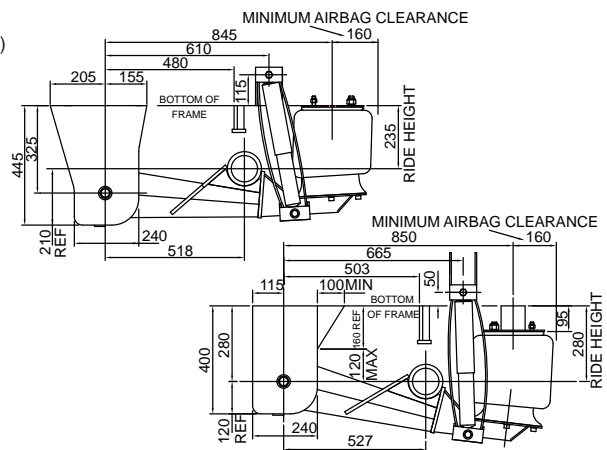
Part Number	Model	Description
	FB VRH 100S KIT	Underslung Sealed A/BAG
63630114	FB VRH 170S KIT	Underslung Sealed A/BAG
63630042	FB VRH 190S KIT	Underslung Sealed A/BAG
	FB VRH 235S KIT	Underslung Sealed A/BAG
63630044	FB VRH 280S KIT	Underslung Sealed A/BAG
63630112	FB VRH 330S KIT	Underslung Sealed A/BAG

Ride Height (m)	Dim 'A' (mm)	Dim 'B' (mm)	Dim 'C' (mm)
360	245	125	140
405	290	170	95
450	335	215	50

Ride Height (m)	Dim 'A' (mm)	Dim 'B' (mm)	Dim 'C' (mm)
190	245	125	125
235	290	170	80
280	335	215	35

## UNDERSLUNG – DISC BRAKE AXLES

TARE WEIGHT (WITHOUT LIFT) APPROX. 150 kg (depending on ride height)



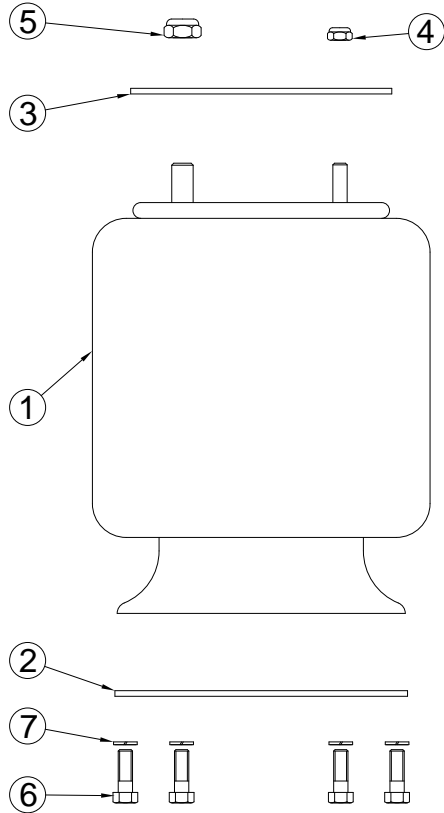
**Notes:**

1) For air and beams centres contact YORK engineering for lay out drawings to suit your specifications.

# TECAIR FB VRH

## AIRBAG CONVERSION KITS

SEALED AIRBAG CONVERSION KITS FROM 3 PIECE AIRBAG INSTALLATIONS



### CONVERSION KIT PART NO: 6161015801

**SUITS:** TECAIR FB VRH ALL RIDE HEIGHTS AND TECAIR FB 190/400 RIDE HEIGHTS

Item	Part No.	Description	Qty
1	61610121	Air Spring (sealed bag)	2
2	61610128	Airbag bottom plate	2
3	61790542	Airbag top plate	2
4	49LNT12UNC	Nyloc nut 1/2" UNC	2
5	49LNT34UNF	Nyloc nut 3/4" UNF	2
6	49HB12UNC150	Hex bolt 1/2" UNC x 1.50"	6
7	49SW12	Spring washer 1/2"	6

### CONVERSION KIT PART NO: 6161015802

**SUITS:** TECAIR FB 150/300/370 RIDE HEIGHTS

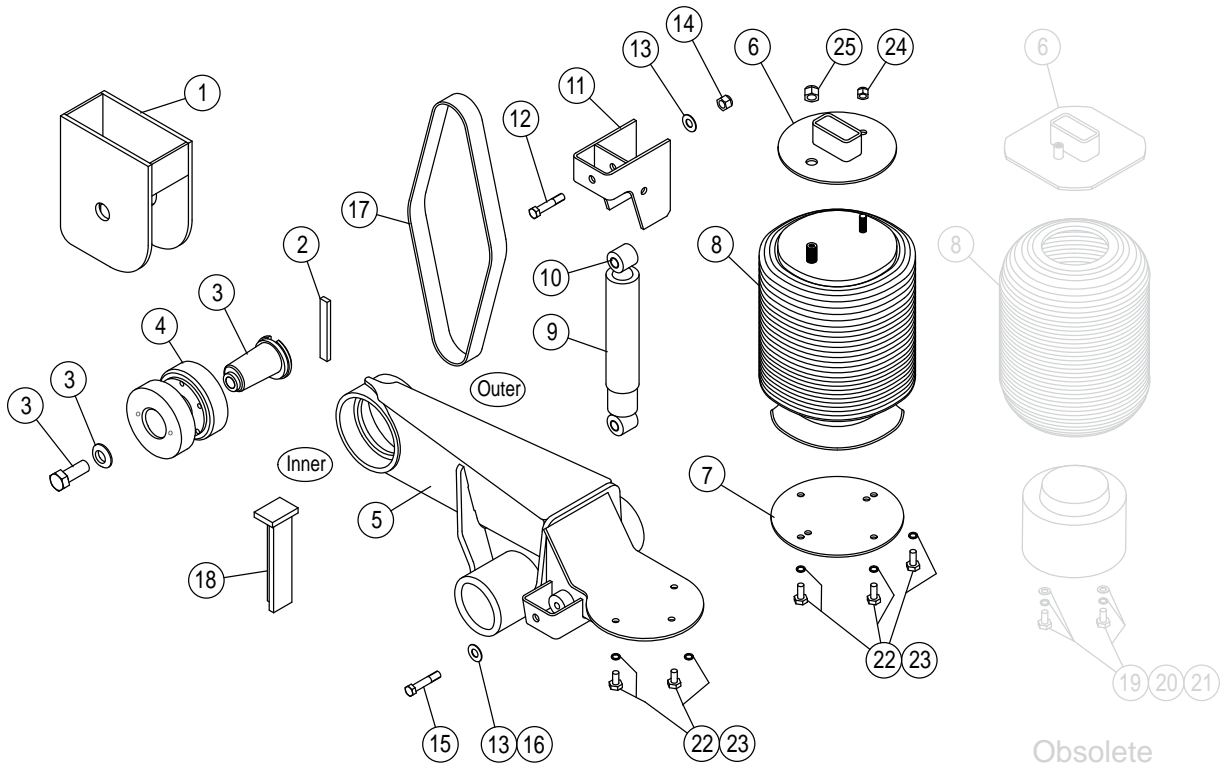
Item	Part No.	Description	Qty
1	61610122	Air Spring (sealed bag)	2
2	61610128	Airbag bottom plate	2
3	61790542	Airbag top plate	2
4	49LNT12UNC	Nyloc nut 1/2" UNC	2
5	49LNT34UNF	Nyloc nut 3/4" UNF	2
6	49HB12UNC150	Hex bolt 1/2" UNC x 1.50"	6
7	49SW12	Spring washer 1/2"	6

**Notes:**

- 1) Airbag bottom plate (2) and airbag top plate (3) required for converting from non sealed airbags to sealed airbags. Refer to the installation requirement for further details.
- 2) Conversion kit is supplied on a per module or axle basis.



# TECAIR FB VRH



# TECAIR FB VRH

Item	Part Number	Description	Qty per axle
1	6161020701	Front suspension hanger LH 170/190/360 ride ht	2
	6161020702	Front suspension hanger RH 170/190/360 ride ht	2
	6161020801	Front suspension hanger LH 235/405/320 ride ht	2
	6161020802	Front suspension hanger RH 235/405/320 ride ht	2
	6161020901	Front suspension hanger LH 280/450/420 ride ht	2
	6161020902	Front suspension hanger RH 280/450/420 ride ht	2
	6161033801	Front suspension hanger LH 235 ride ht disc axle	2
	6161033802	Front suspension hanger LH 235 ride ht disc axle	2
		Front suspension hanger LH 280 ride ht disc axle	2
		Front suspension hanger LH 280 ride ht disc axle	2
6161033101		Front suspension hanger LH 330 ride ht	2
	6161033102	Front suspension hanger RH 330 ride ht	2
2	61610008	Front hanger - locking bar	2
3	61SB610009	Pivot pin assembly	2
4	61SB610366	Pivot bush service kit	2
		Pivot bush - inner	2
		Pivot bush - outer	2
5	6161018601	Beam assy underslung LH	1
	6161018602	Beam assy underslung RH	1
	6161018801	Beam assy overslung LH	1
	6161018802	Beam assy overslung RH	1
	6161032701 **	Beam assy o/slung LH 320	1
	6161032702 **	Beam assy o/slung RH 320	1
6	61610156	Airbag top plate (sealed bag) 170/190/360 ride ht	2
	61790543046	Airbag top plate (sealed bag) 235/405 ride ht	2
	61790543086	Airbag top plate (sealed bag) 280/450 ride ht	2
	61610205 **	Airbag top plate (sealed bag) 190/360 ride ht	2
	6161019601 **	Airbag top plate (non sealed bag) 235/405 ride ht	2
		Airbag top plate (non sealed bag) 280/450 ride ht	2

Item	Part Number	Description	Qty per axle
7	61610128	Airbag bottom plate (sealed bag)	2
8	61610121	Air Spring (sealed bag all ride hts)	2
		Air Spring (non sealed bag)	2
9	61610052	Shock absorber	2
10	6161023402	Eye bush rubber - Boge shocker	2
	6161023401	Eye bush sleeve - Boge shocker	2
11	61610054	Top shocker bracket - standard	2
12	49HB58UNC350	Top shock absorber bolt 5/8" UNC x 3.50" (hex bolt)	2
	61SB786157	Top shocker bolt assy	2
13	49FWH58	Flat washer heavy 5/8"	6
14	49LN58UNC	Nyloc nut 5/8" UNC	6
15	49HB58UNC325L9	Lower shock absorber bolt 5/8" UNC x 3.25" (hex bolt)	2
16	49SWM16	Spring washer M16	4
17	6161006505	Restraint strap - red	2
18	61610067	Chassis stop 170/190/235/280/320/360 ride hts	2
	616100671	Chassis stop 405/450/330/420 ride hts	2
19	49HBM12175030	Hex bolt M12x30 (non sealed bag)	4
20	49SWM12	Spring washer M12 (non sealed)	4
21	49FWM12	Flat washer M12 (non sealed bag)	4
22	49HB12UNC150	Hex bolt 1/2" UNC x 1.50" (sealed bag)	4
23	49SW12	Spring washer 1/2" (sealed bag)	8
24	49LNT12UNC	Nyloc nut 1/2" UNC (sealed bag)	8
25	49LNT34UNF	Nyloc nut 3/4" UNF (sealed (bag)	8
#	61SB610371	Airbag and shocker fitting kit	1
#	61SB610491	Airbag fitting kit	1
#	6150630101 **	Cross brace - 400mm	2
#	6150630103 **	Cross brace - 500mm	2
#	6150630104 **	Cross brace - 600mm	2

### Legend

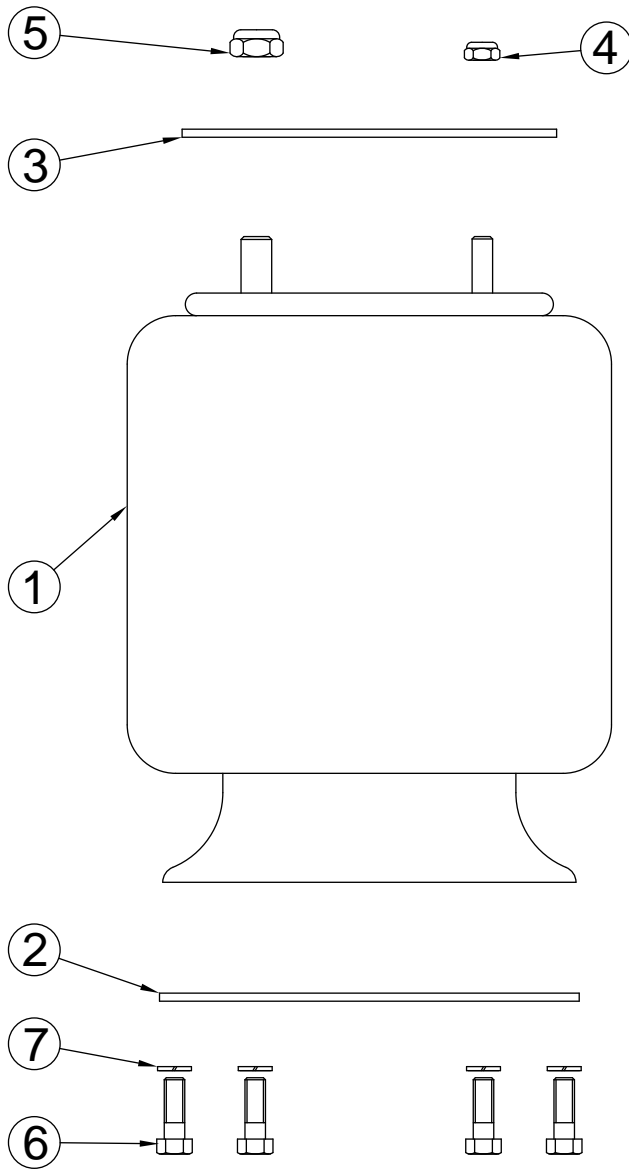
\*\* Optional part available for an axle build or spare part only

# Part available but not shown on spare parts diagram

**NON sealed airbag no longer available**

# CONVERSION KITS – AIRBAG

## 3 PIECE TO SEALED AIRBAG



### CONVERSION KIT PART NO: 6161015801

**SUITS:** Tecair FB VRH (All Ride Heights) & Tecair FB (190/400 Ride Heights)

Item	Part Number	Description	Qty per axle
1	61610121	Air Spring (sealed bag)	2
2	61610128	Airbag bottom plate	2
3	61790542	Airbag top plate	2
4	49LNT12UNC	Nyloc nut 1/2" UNC	2
5	49LNT34UNF	Nyloc nut 3/4" UNF	2
6	49HB12UNC150	Hex bolt 1/2" UNC x 1.50"	6
7	49SW12	Spring washer 1/2"	6

### CONVERSION KIT PART NO: 6161015802

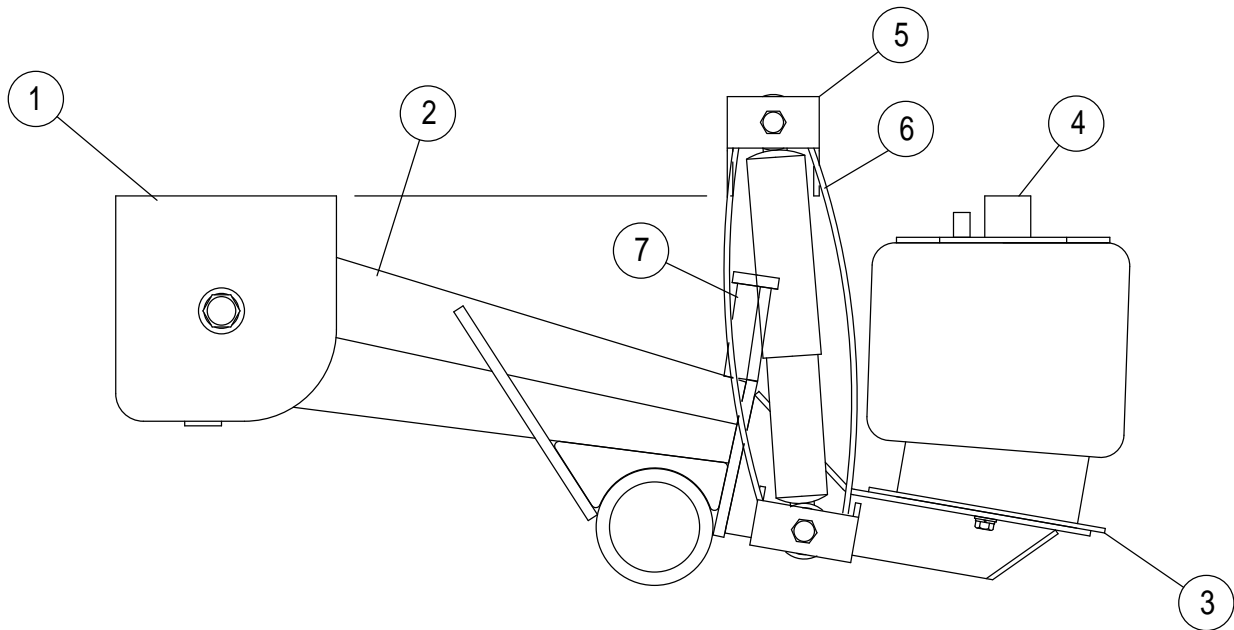
**SUITS:** Tecair FB (150/300/370 Ride Heights)

Item	Part Number	Description	Qty per axle
1	61610122	Air Spring (sealed bag)	2
2	61610128	Airbag bottom plate	2
3	61790542	Airbag top plate	2
4	49LNT12UNC	Nyloc nut 1/2" UNC	2
5	49LNT34UNF	Nyloc nut 3/4" UNF	2
6	49HB12UNC150	Hex bolt 1/2" UNC x 1.50"	6
7	49SW12	Spring washer 1/2"	6

**Notes:**

- 1) Airbag bottom plate (2) and airbag top plate (3) required for converting from non sealed airbags to sealed airbags. Refer to the installation requirement for further details.
- 2) Conversion kit is supplied on a per module or axle basis.

# CONVERSION KITS – TECAIR FB TO FB VRH



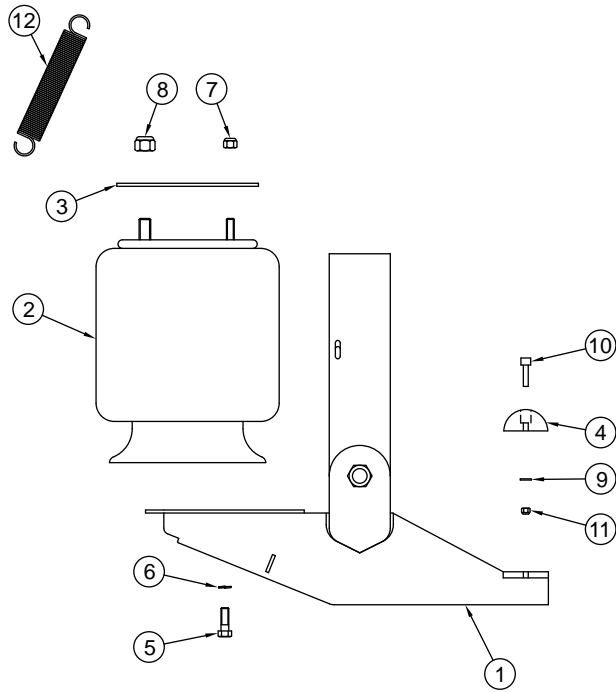
Item	Description	Qty per axle
1	Front hanger LH	1
	Front hanger RH	1
2	Beam assy LH	1
	Beam assy RH	1
3	Airbag bottom plate (note 1)	2
	Airbag top plate	2
5	Top shocker bracket	2
6	Restraint strap	2
7	Chassis stop	2

Kit Part Number	Description	Suits airbag type
	Tec FB 190 to VRH 190 underslung	Sealed airbags
	Tec FB 190 to VRH 190 underslung	Non sealed airbags
61SB61037901	Tec FB 300 to VRH 300 overslung	Sealed airbags
	Tec FB 300 to VRH 300 overslung	Non sealed airbags
61SB61038001	Tec FB 370 to VRH 370 overslung	Sealed airbags
	Tec FB 370 to VRH 370 overslung	Non sealed airbags
61SB61038101	Tec FB 400 to VRH 400 overslung	Sealed airbags
	Tec FB 400 to VRH 400 overslung	Non sealed airbags

**Notes:**

- 1) Non sealed airbag kits no longer available. Replace with sealed option.
- 2) Conversion kit is supplied on a per module or axle basis.

# AXLE LIFT KITS – CENTRE MOUNTED

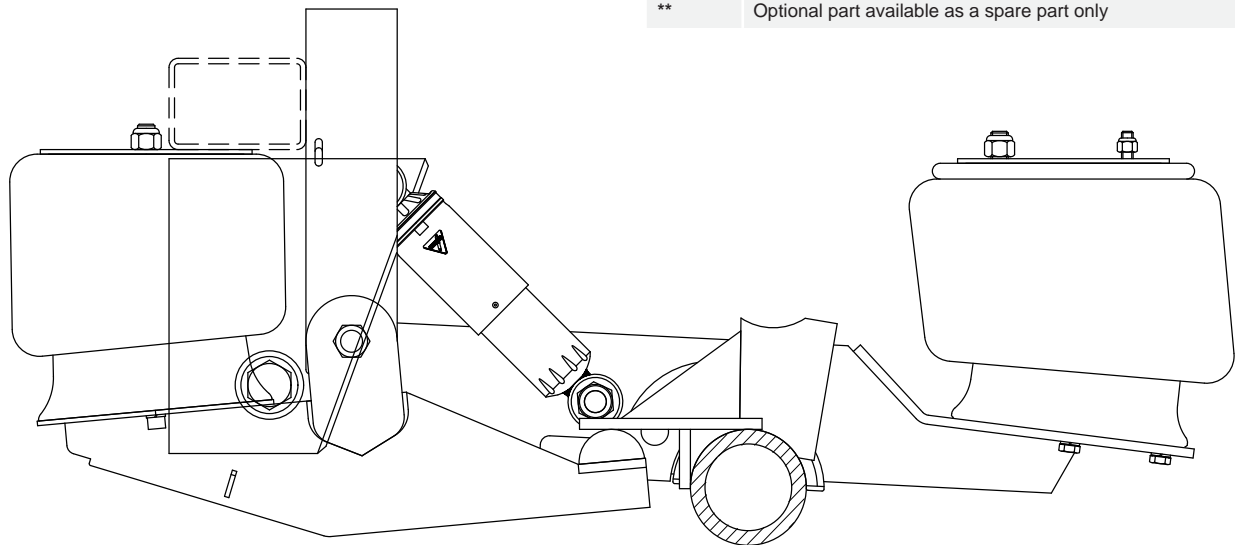


## PART NUMBER 60792116207 (DURATRAC/VRH)

Item	Part Number	Description	Qty per axle
1	61610100	Axle lift arm/pillar assembly	1
2	61610121	Air spring - sealed	1
3	61790542	Airbag top plate	1
4	61610088	Wear block (rub)	1
5	49HB12UNC150	Hex bolt 1/2" UNC x 1.50"	2
6	49SW12	Spring washer 1/2"	2
7	49LNT12UNC	Nyloc nut 1/2" UNC	1
8	49LNT34UNF	Nyloc nut 3/4" UNF	1
9	49FWM08	Flat washer M8	2
10	49CSM08125040	Cap hd set screw M8x40	2
11	49LNM8	Nyloc nut M8	2
12	61610082	Lifter spring	1
#	6079118901	Axle lift pneumatic kit	1
#	61610095 **	Hinge bush - central tube	1
#	61610096 **	Hinge bush - inner tube	1
#	61610081 **	Lifter bolt M24x160	1
#	49LNM24 **	Nyloc nut M24	1
#	49SWM24 **	Spring washer M24	1

### Legend

#	Part available but not shown on spare parts diagram
**	Optional part available as a spare part only



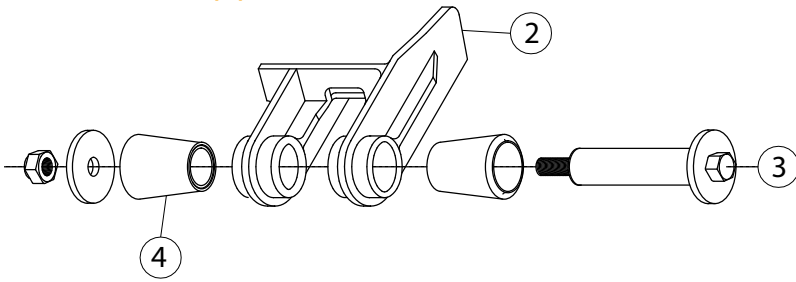
Axle Lift Kit Part Number	Description	Bracket Set Part Number	Pneumatic Kit		Lift Valve
			Part Number	Suits	Part Number
6079116207	Axle lift kit for 1 axle	61610101	6079118902	Duratrak/VRH	61791188 (manual) 617911881 (auto)

### Notes:

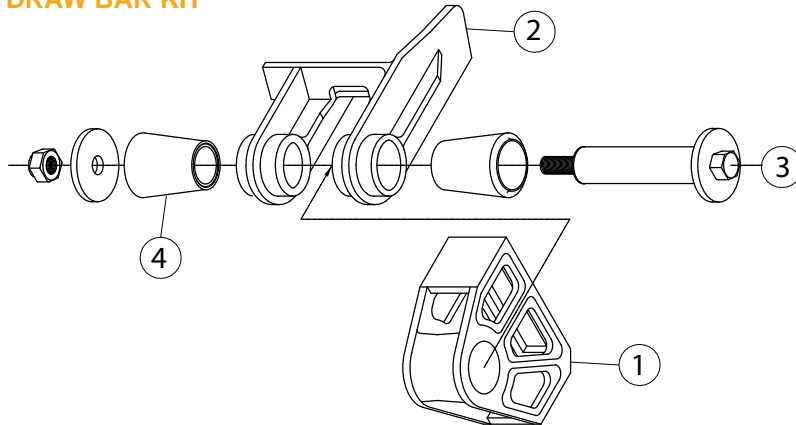
- 1) Axle lift kit to suit 2 axles is available upon request.
- 2) Optional axle lift control boxes can be supplied in lieu of lift control valve part number 61791188/2. Part nos are: electro/pneumatic: 61791186 & pneumatic: 61787775/8.
- 3) Lift bracket part no's: overslung: 61610097 & underslung: 61610098.

# DRAW BAR KITS

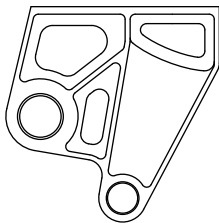
## DRAW BAR KIT (A)



## DRAW BAR KIT

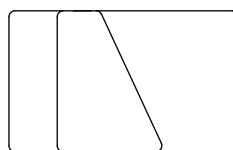
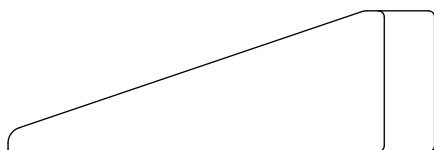


## DRAW BAR - FRONT HANGER



Description	Part Number	Item	Part Number	Includes
Draw Bar Kit (A)	58DBK2	3	59SB900013	2 x Equaliser Shaft / Washer / Nut
		2	59900096	2 x Draw Bar End Housing
		4	59901020	4 x Rubber Bush
Draw Bar Kit	58DBK3	3	59SB900013	2 x Equaliser Shaft / Washer / Nut
		2	59900096	2 x Draw Bar End Housing
		1	59900097	2 x Draw Bar End Pivot Casting
		4	59901020	4 x Rubber Bush
Draw Bar - Front Hanger	59900035			Draw Bar front hanger only

## DRAW BAR LOCK CASTINGS



Description	Part Number
Draw Bar Lock Casting (left hand)	59900126
Draw Bar Lock Casting (right hand)	59900127

# GENERAL TERMS AND CONDITION OF SALES

## 1. INTERPRETATION

"Company" means SAF-HOLLAND (Aust.) Pty. Ltd. "Customer" means the person to or for whom Goods are supplied by the Company. "Delivery Date" has the meaning given in clause 4(b). "Goods" means the goods, which are the subject matter of these terms. "Implied Warranties," mean any term, condition or warranty implied law.

## 2. OPERATION

- (a) All orders for and supply of Goods shall be governed by these conditions of sale.
- (b) A Customer shall be deemed to have accepted these conditions of sale by placing an order with the Company.

## 3. ORDERS

- (a) The Customer may order Goods only by completing the order forms approved by the Company from time to time.
- (b) The Company is not obliged to accept any order for Goods. The Company may accept an order only by notifying the Customer in writing or by delivering the Goods described in the order to the Customer or to a carrier.
- (c) The Customer authorises the Company to complete any uncompleted order form received from the Customer and agrees to be bound by the terms of such a completed order form.
- (d) The Customer cannot cancel an order, which has been accepted by the Company, without prior written consent of the Company. The Customer acknowledges that if the Company accepts the cancellation, the Company may charge a cancellation fee.

## 4. DELIVERY AND RISK

- (a) Delivery of goods is conditional upon availability. The Customer acknowledges that the Company shall be under no liability for late delivery.
- (b) Delivery shall be deemed to take place at the time of physical taking of the Goods by the Customer or by a carrier whether engaged by the Company or by the Customer ("Delivery Date").
- (c) Goods shall be at Customer's risk on and from the Delivery Date.
- (d) Subject to Implied Warranties, which are not capable of exclusion or limitation, the Company's responsibility for damage or shortage ceases on and from the Delivery Date.
- (e) All delivery and return costs shall be borne by the Customer, unless otherwise specified.

## 5. PRICES AND PAYMENT

- (a) The provision of a price list is not to be construed as an offer to sell.
- (b) Prices are subject to withdrawal or change without notice.
- (c) If partial delivery is made proportionate payment shall apply. If the Customer is in breach of any obligation, the Company has the right not to fulfil any unexecuted part orders.
- (d) The prices charged for the Goods will be those ruling at the Delivery Date.
- (e) Unless stated to the contrary, prices do not include taxes, duties, levies, imports or charges for which the Customer will be responsible.
- (f) The Company may recover from the Customer interest on any unpaid amounts at a rate (set out on the invoice).
- (g) Subject to clause 5(h) payment of the full purchase price for the Goods is due and payable within 30 days of the date specified on the invoice.
- (h) The full purchase price for the Goods shall become immediately due and payable if the Customer, takes or has taken or instituted against it any action or proceeding whether voluntary or compulsory which has object or may result in the bankruptcy or winding up of the Customer (other than a voluntary winding up for the purposes of amalgamation or reconstruction) or is placed under official management or a receiver, receiver and manager or administrator is appointed over the whole or any part of its undertaking or the Customer is unable to pay its debts if and when they fall due.

## 6. RETURNS

- (a) Subject to any Implied Warranties which are not capable of exclusion or limitation, credit will not be issued for Goods returned unless the Company believes it appropriate, and:
  - i. Invoice numbers are quoted; and
  - ii. The Customer notifies the Company immediately on receipt of Goods.
- (b) Subject to any Implied Warranties which are not capable of exclusion or limitation, credit will not be issued for Goods made to order.
- (c) The Customer must provide the reasons for return upon request by the Company.
- (d) Subject to any Implied Warranties which are not capable of exclusion or limitation, a penalty restocking fee of 15% of the value of the goods being returned will be charged on all goods returned after the expiration of 30 days from the original delivery date.
- (e) Subject to any Implied Warranties, which are not capable of exclusion or limitation, no goods will be returned without the customer firstly obtaining goods return number from the Company.
- (f) Subject to any Implied Warranties, which are not capable of exclusion or limitation, no goods will be accepted as being returned for credit upon the expiration of six (6) calendar months from the original delivery date.

## 7. RISK AND INSURANCE

- (a) The Customer at its own expense must insure Goods on and from the Delivery Date.



# GENERAL TERMS AND CONDITION OF SALES

## 8. PROPERTY

- (a) Title to Goods remains in the Company until:
  - i. The full purchase price and all other sums payable by the Customer to the Company in respect of the Goods are paid; or
  - ii. The Customer sells or disposes of the Goods to its customers in the ordinary cause of business.
- (b) While title to the Goods remains in the Company, the Customer shall have no ownership or rights in the Goods and shall, while possesses of the same, hold only as a mere bailee for the Company.
- (c) Until the full purchase price and all other sums payable by the Customer to the Company in respect of the Goods are paid the Customer shall store the Goods separately so that they are clearly identifiable and shall label the Goods in a way which clearly manifests the Company's title (and shall not transform the Goods or incorporate the Goods into other products).
- (d) Notwithstanding anything in this clause the Customer may sell or dispose of the Goods to its customers in the ordinary course of business in which case the Customer shall:
  - i. Hold the process of sale for the Company and shall not mix any of the proceeds of sale with its own money but shall ensure that all receipts are kept separate and identifiable; and
  - ii. Where requested by the Company assign to the Customer the benefit of any claim against a third party.
- (e) If the Customer fails to pay the full purchase price for the Goods by the due date and the Goods are in the Customer's possession or control, the Company or its representative may enter the Customer's premises or any premises where the Company reasonably believes the Goods are kept and remove the Goods and the Customer shall assist and indemnify the Company in relation to such removal.

## 9. PACKAGING

The Company recommends that deliveries to country areas be packed in timber crates to prevent transit damage.

## 10. WARRANTIES

- (a) If the liability of the Company to the Customer for any breach of any Implied Warranty is capable of exclusion it is excluded.
- (b) If the liability of the Company to the customer for any breach of any Implied Warranty is capable of limitation it is limited to resupplying or replacing the Goods.
- (c) Subject to any Implied Warranties which are not capable of exclusion or limitation:
  - i. The Company makes no warranties in relation to the Goods;
  - ii. The Company, its servants, agents and contractors shall not be liable for any loss, damage or injury (including without limitation any loss of profit, indirect or consequential loss) arising from the supply or use of the Goods or for any act or omission (including negligence) of the Company;
  - iii. The Customer indemnifies the Company from any loss, damage or injury resulting from any claims or demands by any third party relating in any way to the Goods.
- (d) These conditions of sale supersede and exclude all prior and other discussion and arrangements relating to the supply of the Goods.

## 11. GENERAL

- (a) Special conditions embodied in Customer's orders are not considered binding unless specifically agreed to in writing by the Company.
- (b) These conditions of sale are governed by the law of Victoria and the Customer agrees to submit to the jurisdiction of Victorian courts and tribunals.
- (c) Subject to any Implied warranties which are not capable of exclusion or limitation, the Company reserves the right to charge a restocking fee of 15%.
- (d) The Customer acknowledges that the minimum amount of any order is \$100.00.
- (e) The Customer acknowledges some Goods are not kept as stock lines. It is the Customer's responsibility to check lead times for Goods they have ordered.

CS-1b

# AXLE & SUSPENSION SARNs

## AXLES

ADR 38/05 Compliance  
Beam size - 127mm Round, Wheel Fitting - M22 ISO

SARN No.	Axle Model	Brake Size	Application	GALR Capacity
39738	2782, 2785 & R/B	420 x 180	Drum Brake TN Axles to suit 22.5" Dual Wheels	11.5 Tonne
39738	2784	420 x 180	Drum Brake TN Axles to suit 22.5" Supersingle Wheels	11.5 Tonne
39738	2682, 2685 & R/B	420 x 180	Drum Brake TP Outback Axles to suit 22.5" Dual Wheels	12.0 Tonne
39738	2582	420 x 180	MFL Drum Brake Axles to suit 22.5" Dual Wheels	11.5 Tonne
10787 FB	2950 & 2955	335 x 210	Drum Brake TN Axles to suit 17.5" and 19.5" Dual Wheels	10.5 Tonne
6900 FB	2783, 2953	311 x 178	Drum Brake TN Axles to suit 15" and 17.5" Dual Wheels	10.0 Tonne
No SARN	2954	311 x 127	Drum Brake TN Axles to suit 15" and 17.5" Dual Wheels	7.0 Tonne
27571	2980 & 2985 (P19)	375 rotor	Disc Brake TN Axles to suit 19.5" and 22.5" Dual Wheels	11.5 Tonne
33991	2970 & 2975 (P22)	430 rotor	Disc Brake TN Axles to suit 22.5" Dual Wheels	12.0 Tonne
33991	2570 & 8970 (P22)	430 rotor	MFL Disc Brake Axles to suit 22.5" Dual Wheels	12.0 Tonne

## HEAVY DUTY AXLES

Beam size - 127mm and 152mm Round, Wheel Fitting - M22 and M24 ISO

SARN No.	Axle Model	Brake Size	Application	GALR Capacity
16491 FB	2800	420 x 220	Heavy Duty Drum Brake Axles to suit 20", 22.5" and 24" Dual Wheels	15.0 Tonne 17.5 Tonne 20.0 Tonne

## SUSPENSIONS

### TECAIR 1 AND TECAIR 2 AIR SUSPENSIONS

ADR 38/05 Compliance  
Tecair 1 Ride Heights - 200mm to 600mm  
Tecair 2 Ride Heights - 165mm, 235mm to 600mm  
Beam size - 127mm Round

SARN No.	Application	GALR Capacity
8163 SS	Single Axle Air Suspension - Overslung/Underslung	11.0 Tonne
8164 SS	Tandem Axle Air Suspension - Overslung/Underslung	22.0 Tonne
8162 SS	Tri Axle Air Suspension - Overslung/Underslung	33.0 Tonne
12567 SS	Quad Axle Air Suspension - Overslung/Underslung	44.0 Tonne

(11 tonne per axle capacity springs are standard in Tecair 1 suspensions. 9 tonne per axle capacity springs are obsolete)

### DURATRAC AIR SUSPENSIONS

ADR 38/05 Compliance  
Duratrac Ride Heights - 200mm to 460mm  
Beam size - 127mm Round

SARN No.	Axle Model	Application	GALR Capacity
8163 SS	8219 SS	Single Axle Air Suspension - Overslung/Underslung	11.0 Tonne
8164 SS	8220 SS	Tandem Axle Air Suspension - Overslung/Underslung	22.0 Tonne
8162 SS	8221 SS	Tri Axle Air Suspension - Overslung/Underslung	33.0 Tonne
12567 SS		Quad Axle Air Suspension - Overslung/Underslung	44.0 Tonne

## AXLE & SUSPENSION SARNs

### TECAIR FB VRH AND TECAIR FB AIR SUSPENSIONS

ADR 38/05 compliance

Tecair FB VRH Ride Heights - 170mm to 450mm

Tecair FB Ride Heights - 150mm to 420mm

Beam size - 127mm Round

SARN No.	Axle Model	Application	GALR Capacity
8163 SS	8219 SS	Single Axle Air Suspension - Overslung/Underslung	11.0 Tonne
8164 SS	8220 SS	Tandem Axle Air Suspension - Overslung/Underslung	22.0 Tonne
8162 SS	8221 SS	Tri Axle Air Suspension - Overslung/Underslung	33.0 Tonne
12567 SS		Quad Axle Air Suspension - Overslung/Underslung	44.0 Tonne

### MT 75MM MECHANICAL SUSPENSION

ADR 38/05 Compliance

Single Axle - Overslung and Underslung

Tandem Axle - 4'0", 4'6" and 5'0" - Overslung and Underslung

Tri Axle - 4'0", 4'6" and 5'0" - Overslung and Underslung

Beam size - 127mm Round, 120mm Square and 150mm Square

SARN No.	Axle Model	Application	GALR Capacity
6306 SS	6224 SS	Single Axle Suspension - Overslung	10.0 Tonne
6306 SS	6223 SS and 6360 SS	Single Axle Suspension - Underslung	10.0 Tonne
6307 SS	9076 SS	Tandem Axle Suspension - Overslung	20.0 Tonne
6307 SS	9073 SS and 9132 SS/02	Tandem Axle Suspension - Underslung	20.0 Tonne
6305 SS	9074 SS	Tri Axle Suspension - Overslung	30.5 Tonne
6305 SS	9075 SS and 9130 SS/02	Tri Axle Suspension - Underslung	30.5 Tonne
12577 SS		Quad Axle Suspension - Overslung/Underslung	37.0 Tonne

### YTB 90MM / YTE 90MM MECHANICAL SUSPENSION

ADR 38/05 Compliance

Single Axle - Overslung and Underslung

Tandem Axle - 1300mm and 1550mm - Overslung and Underslung

Tri Axle - 1300mm and 1550mm - Overslung and Underslung

Quad Axle - 1300mm and 1550mm - Overslung and Underslung

Beam size - 152mm Round and 150mm Square

SARN No.	Application	GALR Capacity
12166 SS	Single Axle Suspension - Overslung/Underslung	20.0 Tonne
12217 SS	Tandem Axle Suspension - Overslung/Underslung	40.0 Tonne
12218 SS	Tri Axle Suspension - Overslung/Underslung	60.0 Tonne
12219 SS	Quad Axle Suspension - Overslung/Underslung	80.00 Tonne

RFS2001 Road Friendly Certification No. (Shocker)

# WARRANTY STATEMENT

This York warranty statement is to be read in conjunction with the warranty clause in the York general terms and conditions of sale. This will apply only when Warranty Registration is completed, otherwise the std. 1 year/100,000km will apply as per York's general terms and conditions of sale.

	YEARS	KILOMETERS	PARTS	LABOUR as per Annexure 4
<b>Axle Beam</b> (includes axle tube, spider, spindle & booster brackets)	1 to 3	Unlimited	100%	100%
	4 & 5	Unlimited	100%	0%
<b>Bearings (TN &amp; TP)</b>	2	Unlimited	100%	100%
<b>Bearing (Unitised) / MFL Hub</b>	5	1,000,000	100%	100%
<b>Hub Seal</b>	2	Unlimited	100%	100%
<b>Drum Brake Hardware</b>	2	Unlimited	100%	100%
<b>Hub/Drum Assembly</b>	2	Unlimited	100%	100%
<b>Conmet Preset Alum Hub Assy</b>	3	1,000,000 (4a)	100%	100%
<b>Conmet Preset Alum Hub Assy</b>	2	500,000 (4b)	100%	100%
<b>Camshaft</b>	2	Unlimited	100%	100%
<b>Enclosed Tube &amp; Cam Bush</b>	2	Unlimited	100%	100%
<b>Automatic Slack Adjuster</b>	1	Unlimited	100%	100%
<b>Manual Slack Adjuster</b>	2	Unlimited	100%	100%
<b>Wheel Stud &amp; Nut</b>	2	Unlimited	100%	100%
<b>Axle Spindle Nut &amp; Washer</b>	2	Unlimited	100%	100%
<b>Brake Caliper &amp; Rotor</b>	1	Unlimited	100%	100%
<b>Brake Chamber</b>	1	Unlimited	100%	100%
<b>Air Suspension (Structural)</b>	2	Unlimited	100%	100%
<b>Spring Seat to Axle Weld Conn</b>	2	Unlimited	100%	100%
<b>Pivot Bush</b>	2	Unlimited	100%	100%
<b>Shock Absorber</b>	1	Unlimited	100%	100%
<b>Air Spring</b>	1	Unlimited	100%	100%
<b>Hanger</b>	2	Unlimited	100%	100%
<b>Air Controls</b>	1	Unlimited	100%	N/A
<b>Cast Steel Components</b>	2	Unlimited	100%	100%
<b>Torque Arm/Equaliser Bush</b>	1	Unlimited	100%	100%

1. The above warranty period covers product used in highway trailers which must travel for a minimum of 80% of the time on paved highways and maintained road surfaces.
2. For units operating outside this parameter (i.e more extensive off road use), then a warranty period of 1 year is applicable.
3. Warranty will not be covered for:
  - a) All fasteners, clips, and non York components;
  - b) Units operating under submerged water conditions;
  - c) Items that void the general terms and conditions.
4. a) Applicable for use with semi fluid grease; b) Applicable for use with lithium complex grease (std).





TRAILER AXLES AND  
SUSPENSION SYSTEMS



COUPLING AND LIFTING  
TECHNOLOGIES



SUSPENSIONS FOR  
TRUCKS AND BUSES



SUSPENSIONS AND COMPONENTS  
FOR COMMERCIAL VEHICLES



BUS AIR SUSPENSION  
SYSTEMS



V.ORLANDI

COUPLING AND LIFTING  
TECHNOLOGIES



TRAILER AXLES AND  
SUSPENSION SYSTEMS