

EN



HOLLAND Fifth Wheels

For MAN Trucks



SK-S 36.20 SERIES SPHEROIDAL GRAPHITE CAST IRON 20T FIFTH WHEEL



All of the fifth wheels in the SK-S 36.20 range from HOLLAND are particularly light thanks to their design and the use of spheroidal graphite cast iron, and are equipped with a safety latch that allows coupling or uncoupling with one hand.

The safety latch ensures at first glance a clear visual indication, whether the fifth wheel is securely locked or not: if the latch is in the „raised“ or „lowered“ position. Hence easily and safely avoiding mis-couples.

SIMPLE AND DECISIVE VISUAL SAFETY INDICATION!

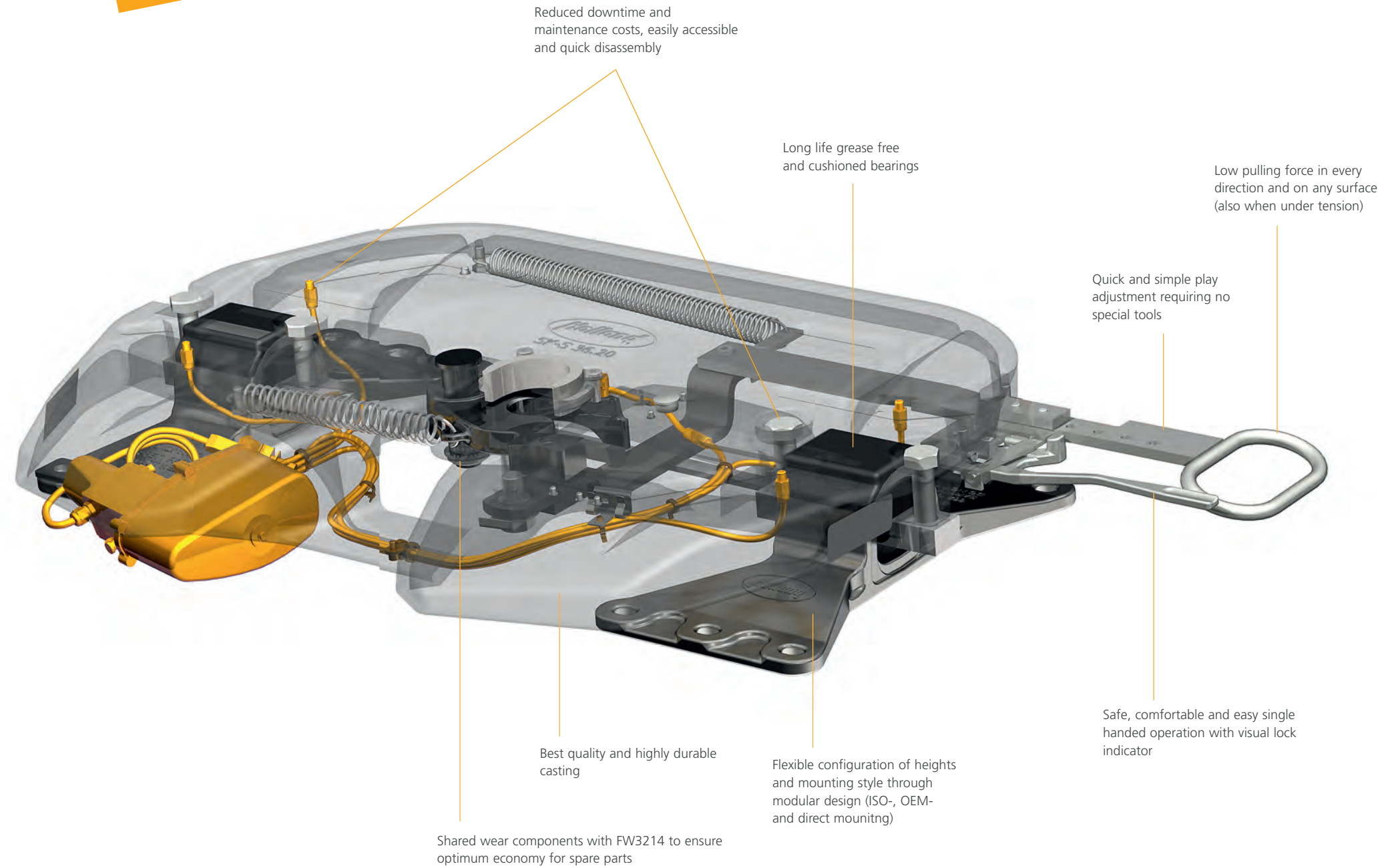


Latch raised –
Fifth Wheel locked and
secured = **OK**



Latch lowered –
Fifth Wheel open = **DANGER**

LIGHTWEIGHT
117 KG
(150 MM)





ALWAYS A SAFE COUPLE – MAN AND SAF-HOLLAND

You must always be able to 100% rely on your fifth wheel, as it belongs to the most important components on a truck. According to MAN's customer specific requirements, SAF-HOLLAND develops and manufactures innovative and safe premium quality products. Precise manufacturing processes and stringent controls ensure that the demanding quality standards of both partners are fulfilled.

Together with MAN, SAF-HOLLAND individually caters for the most diverse customer requirements. Whether for light commercial, armoured, or special transport vehicle – SAF-HOLLAND fifth wheels provide the perfect solution for every transport task. The exceptional low system weight convinces with a correspondingly long service life and exemplary low maintenance costs.

SK-S 36.20 RECOLUBE

20 T



The lightweight, automatically greased spheroidal graphite cast iron 20t fifth wheel

- Up to 33 kg lighter, reliable and robust
- Safe single-handed operation, automatic safety lock
- Simple wear adjustment
- Permanent, maintenance-free bearings
- Optimised lubrication channels for effective grease flow
- Approved for forced steering
- Five independent high pressure pump elements
- Controlled from truck ECU
- Compatible with vehicles manufactured from 01.04.2017 and equipped with electronic control unit version ZBR E8
- Connections for central lubrication
- Function and level monitoring in vehicle display
- Mounting on the fifth wheel pedestal
- Optionally available with direct or angle bracket mounting

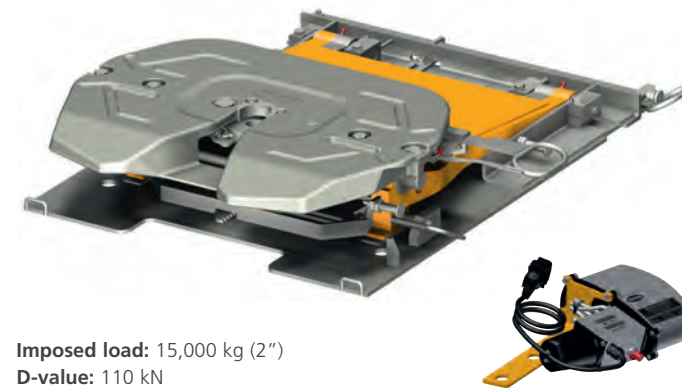
Imposed load: 20,000 kg (2")
D-value: 152 kN
Overall heights: 128*, 150, 185, 225, 250 mm
ECE test no.: E1 55R-01 0218

*Angle of articulation according to ISO 1726 with 128 mm pedestals only guaranteed in conjunction with the MP 525, 12 mm mounting plate from SAF-HOLLAND

Part	MAN Order Code			MAN Part No.	Weight kg Fifth Wheel	SAF-HOLLAND Order No.
	Type	Version	Height			
SK-S 36.20 128 RecoLube*	Available on request			–	119	662 129 550
SK-S 36.20 150 RecoLube	0P1RK	0P1Q7	0P1PO	81.42710-6317	120	662 129 551
SK-S 36.20 185 RecoLube	0P1RK	0P1Q7	0P1PS	81.42710-6301	125	662 129 552
SK-S 36.20 225 RecoLube	Available on request			–	124	662 129 553
SK-S 36.20 250 RecoLube	0P1RK	0P1Q7	0P1PX	81.42710-6318	135	662 129 554

SK-S 36.20 H RECOLUBE (HEIGHT ADJUSTABLE)

15 T



The established and proven 15t dual height fifth wheel, cast from ductile iron and with automatic lubrication

- Extremely robust and user friendly
- Weight optimised model
- Simple wear adjustment
- Automatic safety lock
- Approved for forced steering
- Combined with RECOLUBE
- Controlled from truck ECU
- Connections for central lubrication
- Electronic level indication in the vehicle display

Imposed load: 15,000 kg (2")
D-value: 110 kN
Overall heights: 167-267*, 167-317, 167-367 mm*
ECE test no.: E11 55R-01 1381

* Overall heights on request

Part	MAN Order Code			MAN Part No.	Weight kg Fifth Wheel	SAF-HOLLAND Order No.
	Type	Version	Height			
SK-S 36.20 H BH 167-267 mm RecoLube*	Available on request			–	–	–
SK-S 36.20 H BH 167-317 mm RecoLube	0P1R1	0P1Q7	–	81.42710-6270	330	662 132 693
SK-S 36.20 H BH 167-367 mm RecoLube*	Available on request			–	–	–

SK-S 36.20 W (LOW MAINTENANCE)

20 T



The lightweight, low maintenance spheroidal graphite cast iron 20t fifth wheel

- Up to 33 kg lighter, designed for highway application
- Less grease consumption
- Easily replaceable low friction wear plates
- Safe single-handed operation, automatic safety lock
- Simple wear adjustment
- Permanent, maintenance-free bearings
- Approved for forced steering
- Available with 1-point automatic grease cartridge for lubrication of the safety lock

Imposed load: 20,000 kg (2")
D-value: 152 kN
Overall heights: 128*, 150, 185, 225, 250 mm
ECE test no.: E1 55R-01 0218

*Angle of articulation according to ISO 1726 with 128 mm pedestals only guaranteed in conjunction with the MP 525, 12 mm mounting plate, from SAF-HOLLAND

Part	MAN Order Code			MAN Part No.	Weight kg Fifth Wheel	SAF-HOLLAND Order No.
	Type	Version	Height			
SK-S 36.20 W BH 128*	Available on request			-	117	662 131 011
SK-S 36.20 W BH 150	OP1RK	OP1Q8	OP1PO	81.42710-6166	119	662 131 088
SK-S 36.20 W BH 185	OP1RK	OP1Q8	OP1PS	81.42710-6167	124	662 131 085
SK-S 36.20 W BH 225	Available on request			-	124	662 131 042
SK-S 36.20 W BH 250	OP1RK	OP1Q8	OP1PX	81.42710-6168	134	662 131 014

SK-S 36.20 WITH RECOLUBE AND MOUNTING PLATE

20 T



The lightweight, spheroidal graphite cast iron 20t fifth wheel with automatic lubrication

- Significantly reduced system weight, reliable and robust
- Safe single-handed operation, automatic safety lock
- Simple wear adjustment
- Permanent, maintenance-free bearings
- Optimised lubrication channels for effective grease flow
- Controlled from truck ECU
- Electronic level indication in the vehicle display

Imposed load: 20,000 kg (2")
D-value: 152 kN
Overall height: 163 mm
ECE test no.: E1 55R-01 0218



Part	MAN Order Code			MAN Part No.	Weight kg Fifth Wheel (incl. MP)	SAF-HOLLAND Order No.
	Type	Version	Height			
SK-S 36.20 + MP30 RecoLube (BH 163)	OPFZI	OP1PP	-	81.42710-6319	170	662 129 541

SK-S 36.20

20 T



The lightweight, spheroidal graphite cast iron 20t fifth wheel

- Up to 33 kg lighter, reliable and robust
- Safe single-handed operation, automatic safety lock
- Simple wear adjustment
- Permanent, maintenance-free bearings
- Optimised lubrication channels for effective grease flow
- Connections for central lubrication
- Approved for forced steering

Imposed load: 20,000 kg (2")
D-value: 152 kN
Overall heights: 128*, 150, 185, 225, 250 mm
ECE test no.: E1 55R-01 0218

*Angle of articulation according to ISO 1726 with 128 mm pedestals only guaranteed in conjunction with the MP 525, 12 mm mounting plate, from SAF-HOLLAND

Part	MAN Order Code			MAN Part No.	Weight kg Fifth Wheel	SAF-HOLLAND Order No.
	Type	Version	Height			
SK-S 36.20 BH 128*	Available on request			-	116	662 129 046
SK-S 36.20 BH 150	OP1RK	OP6XR	OP1PO	81.42710-6162	117	662 129 038
SK-S 36.20 BH 185	OP1RK	OP6XR	OP1PS	81.42710-6163	123	662 129 085
SK-S 36.20 BH 225	Available on request			-	121	662 129 031
SK-S 36.20 BH 250	OP1RK	OP6XR	OP1PX	81.42710-6164	132	662 129 049

SK-HD 38.36 WITH RECOLUBE

36 T



The robust cast steel 36t fifth wheel for heavy duty transport with automatic lubrication

- Permanent, maintenance-free bearings
- Conversion from 3.5" to 2" and vice versa possible
- Suitable for steering wedge applications
- Controlled from truck ECU
- Electronic level indication in the vehicle display

Imposed load: 23,000 kg (2"), 36,000 kg (3.5")
D-value: 162 kN (2"), 260 kN (3.5")
Overall height: 190 mm
ECE test no.: E11 55R-01 8550 (2"), E11 55R-01 8549 (3.5")



Part	MAN Order Code			MAN Part No.	Weight kg Fifth Wheel	SAF-HOLLAND Order No.
	Type	Version	Height			
SK-HD 38.36 2" BH 190 RecoLube	OP1RN	OP1Q7	-	81.42710-6321	194	662 111 034
SK-HD 38.36 3.5" BH 190 RecoLube	OP1RO	OP1Q7	-	81.42710-6320	193	662 111 032



The robust cast steel 36t fifth wheel for heavy duty transport

- Permanent, maintenance-free bearings
- Conversion from 3.5" to 2" and vice versa possible
- Suitable for steering wedge applications

Imposed load: 23,000 kg (2"), 36,000 kg (3.5")

D-value: 162 kN (2"), 260 kN (3.5")

Overall heights: 150, 190 mm

ECE test no.: E11 55R-01 8550 (2"), E11 55R-01 8549 (3.5")

Part	MAN Order Code			MAN Part No.	Weight kg Fifth Wheel	SAF-HOLLAND Order No.
	Type	Version	Height			
SK-HD 38.36 2" BH 150	Available on request			–	185	662 111 085
SK-HD 38.36 3.5" BH 150	Available on request			–	185	662 111 065
SK-HD 38.36 2" BH 190	OP1RN	OP6XR	–	81.42710-6169	191	662 111 074
SK-HD 38.36 3.5" BH 190	OP1RO	OP6XR	–	81.42710-6170	190	662 111 066

COMPATIBLE WITH VEHICLES
MANUFACTURED FROM 01.04.2017
AND EQUIPPED WITH ELECTRONIC
CONTROL UNIT VERSION ZBR E8



BENEFITS OF THE LUBRICATION PUMP

- Eliminates regular greasing by hand
- **Environmentally friendly, optimal grease quantity** through automatic dosing
- **High performance pump** ensures continued lubrication also under low temperatures and difficult conditions
- Grease reservoir sufficient for **1 year operation** or **100,000 km**
- **Re-fillable through grease nipple** using standard grease gun cartridge
- **Function and level monitoring** in vehicle display



RECOLUBE POWER SKX 372

This high-performance lubricant is ideal for the automatic lubrication of fifth wheels – both at very low and very high temperatures. The special lubricant is capable of withstanding extreme loads, is exceptionally resistant to water and at the same time offers excellent protection against corrosion..

Type	Name	Contents	SAF-HOLLAND Order No.
SK-S 36.20 SK-HD 38.36	Lubrication pump RECOLUBE	Lubrication pump RECOLUBE with lubrication lines without holder	662 101 781
SK-S 36.20 H	Lubrication pump RECOLUBE	Lubrication pump RECOLUBE without lubrication lines without holder	662 101 783
SK-S 36.20	Bracket	with bolts and washers, 3 x M4 x 20, 2 x M6 x 20	662 101 784
SK-HD 38.36	Bracket	with bolts and washers, 3 x M4 x 20, 2 x M6 x 20	662 101 785
SK-S 36.20 H	Bracket and bolt kit	1 x bracket + 2 x M10 x 20 + 2 x washers	662 101 787
SK-S 36.20 SK-HD 38.36 SK-S 36.20 H	Lubrication tube pre-filled	2 m tube + 3 quick connectors	662 101 786
SK-S 36.20 SK-HD 38.36 SK-S 36.20 H	Holland RECOLUBE POWER SKX 372 refill kit grease	2 x 400 g grease cartridges	662 101 788
SK-S 36.20 SK-HD 38.36 SK-S 36.20 H	Holland RECOLUBE POWER SKX 372 bulk container grease	25 kg tub	662 101 789
SK-S 36.20 H	Grease manifold (only for RECOLUBE)	Grease manifold including tubes	662 132 043

YOUR CONTACT



Technical Sales
Europe, Middle East and Africa
Rainer Junker

+49 171 518 4072
rainer.junker@safholland.com



Technical Sales
Europe, Middle East and Africa
Holger Krell

+49 171 810 4741
holger.krell@safholland.com

Engineering Your Road to Success

The SAF-HOLLAND Group is one of the leading international manufacturers of suspension-related assemblies and components for trailers, trucks and buses. Our innovative products increase the efficiency, safety and environmental friendliness of commercial vehicles, contribute to the success of our customers. With around 3,000 employees worldwide, we are at the forefront of shaping the future of the transportation industry..



Trailer Axles and
Suspension Systems



Coupling and Lifting
Technologies



Coupling and Lifting
Technologies



Trailer
Telematics



Suspensions for
Trucks and Buses



Suspensions and Components
for Commercial Vehicles



Trailer Axles and
Suspensions Systems

safholland.com

SAF-HOLLAND GmbH

Hauptstraße 26 - 63856 Bessenbach - Germany
Tel +49 6095 301-0 - info@safholland.de