



NSE SERIES

SERVICE REPAIR KITS AND SPARES

SUSPENSION

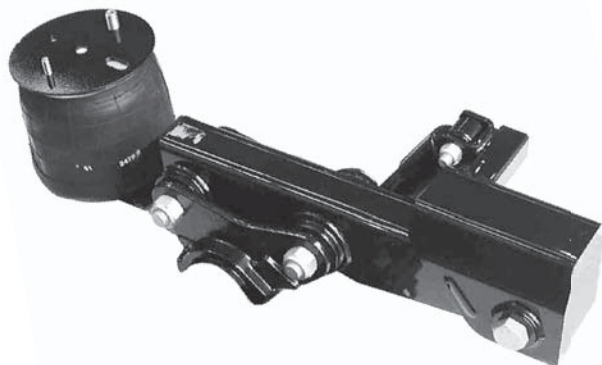


Trailer Air Suspension

NSE 90 - 9 tonne with Overslung Beam

NSE 110 - 11 tonne with Overslung Beam

NSEU 110 - 11 tonne with Underslung Beam



NSE 90

- SRK-508** RH (fixed) Pivot Connection
- SRK-509** LH (adjustable) Pivot Connection
- SRK-506** Axle Connection (both sides)

NSE 110

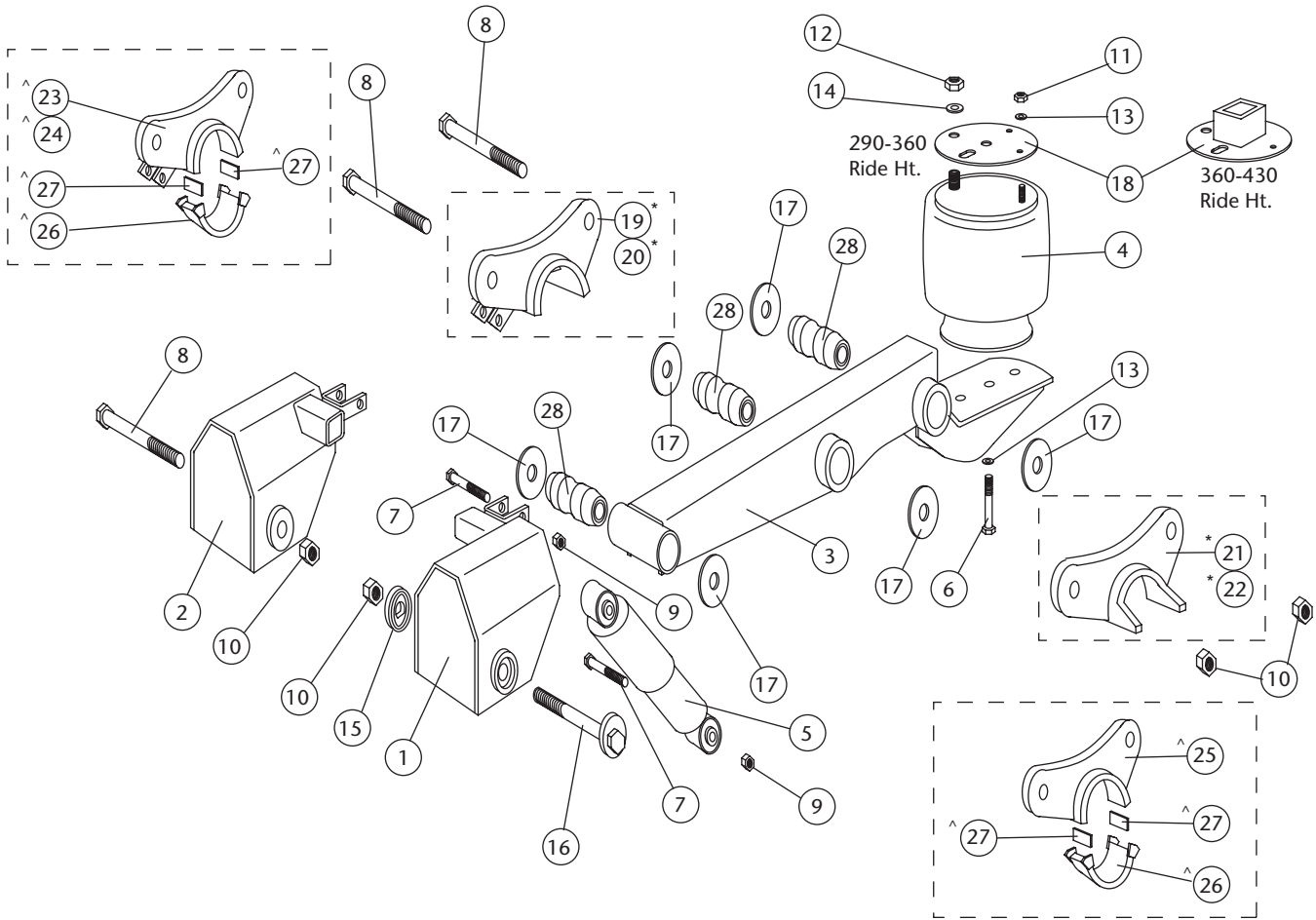
- SRK-508** RH (fixed) Pivot Connection
- SRK-509** LH (adjustable) Pivot Connection
- SRK-506** Axle Connection (both sides)

NSEU 110

- SRK-508** RH (fixed) Pivot Connection
- SRK-509** LH (adjustable) Pivot Connection
- SRK-507** Axle Connection (both sides)

See inside for full parts lists

NSE 90 SERIES AIR SUSPENSION - SPARE PARTS



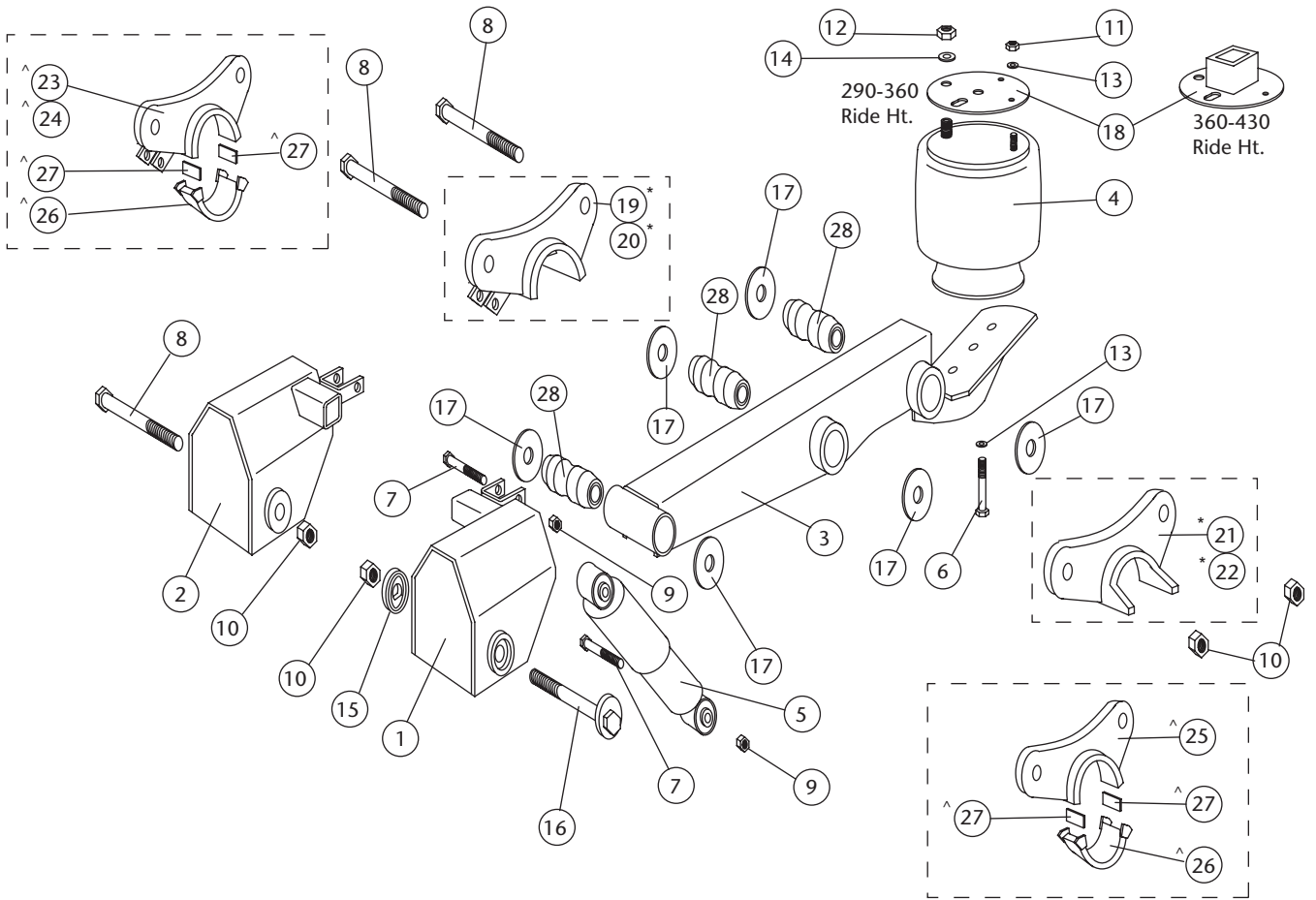
Item	Part No.	Qty	Description	Item	Part No.	Qty	Description	
1	90521191	1	Frame Bracket LH (NSE90 290-360)	16	90508015	1	Alignment Block Assembly	
	90521193	1	Frame Bracket LH (NSE90 360-430)	17	90036223	12	Wear Washer	
2	90521179	1	Frame Bracket RH (NSE90 290-360)	18	90034237	2	Air Spring Mtg Plate (NSE90 290-360)	
	90521180	1	Frame Bracket RH (NSE90 360-430)		90554671	2	Air Spring Mtg Plate (NSE90 360-430)	
3	xx 90516850	2	Equalising Beam Assembly	19	*	90501383	1	Adapt. & Shock Brkt RH (127mm axle)
4	90557233	2	Air Spring		90501408	1	Adapt. & Shock Brkt RH (146mm axle)	
5	M0044020	2	Shock Absorber (290-360)	20	*	90501382	1	Adapt. & Shock Brkt LH (127mm axle)
	M0044023	2	Shock Absorber (360-430)		90501409	1	Adapt. & Shock Brkt LH (146mm axle)	
6	20000083	2	Bolt Hex M12 x 1.75 x 100G	21	*	90001280	1	Adapter Plain LH (127mm axle)
7	20000120	4	Bolt M20 x 2.5 x 100		90001304	1	Adapter Plain LH (146mm axle)	
8	20000170	5	Bolt Hex M30 x 3.5 x 210	22	*	90001279	1	Adapter Plain RH (127mm axle)
9	20003005	4	Nut Lock M20 x 2.5		90001303	1	Adapter Plain RH (146mm axle)	
10	20003007	6	Nut Hex lock M30 x 3.5	23	^	90501367	1	Adapter & Shock Brkt RH
11	20003015	2	Nut Hex M12 x 1.75	24	^	90501368	1	Adapter & Shock Brkt LH
12	20003022	2	Nut M20 x 1.5 Fine Pitch	25	^	90001275	2	Adapter Plain
13	20004020	4	Lock Washer M12	26	^	90001272	4	Wrapper
14	20004022	2	Lock Washer 20mm	27	^	90034223	8	Backing Plate
15	90008209	1	Alignment Block (D-hole)	28		90008207	6	Rubber Bush with Inner Sleeve
xx	Includes bush (item 28) - 3 per beam (Bush also available seperately)			*	Parts for welded axle connection (for 127mm or 146mm dia axles)			
				^	Parts for clamped/non welded axle connection (127mm axle only)			

SERVICE REPAIR KITS

Kit no.	Part Number	Description	Contents of Kit
SRK-508	48100372	RH (fixed) Pivot Connection	1 x Item 28, 2 x Item 17, 1 x Item 8, 1 x Item 10
SRK-509	48100373	LH (adjustable) Pivot Connection	1 x Item 28, 2 x item 17, 1 x Item 16, 1 x Item 10, 1 x Item 15
SRK-506	48100370	Axle Connection (both sides)	4 x Item 28, 8 x Item 17, 4 x Item 8, 4 x Item 10

Note : It is recommended that both pivot connections are replaced at the same time

NSE 110 SERIES AIR SUSPENSION - SPARE PARTS



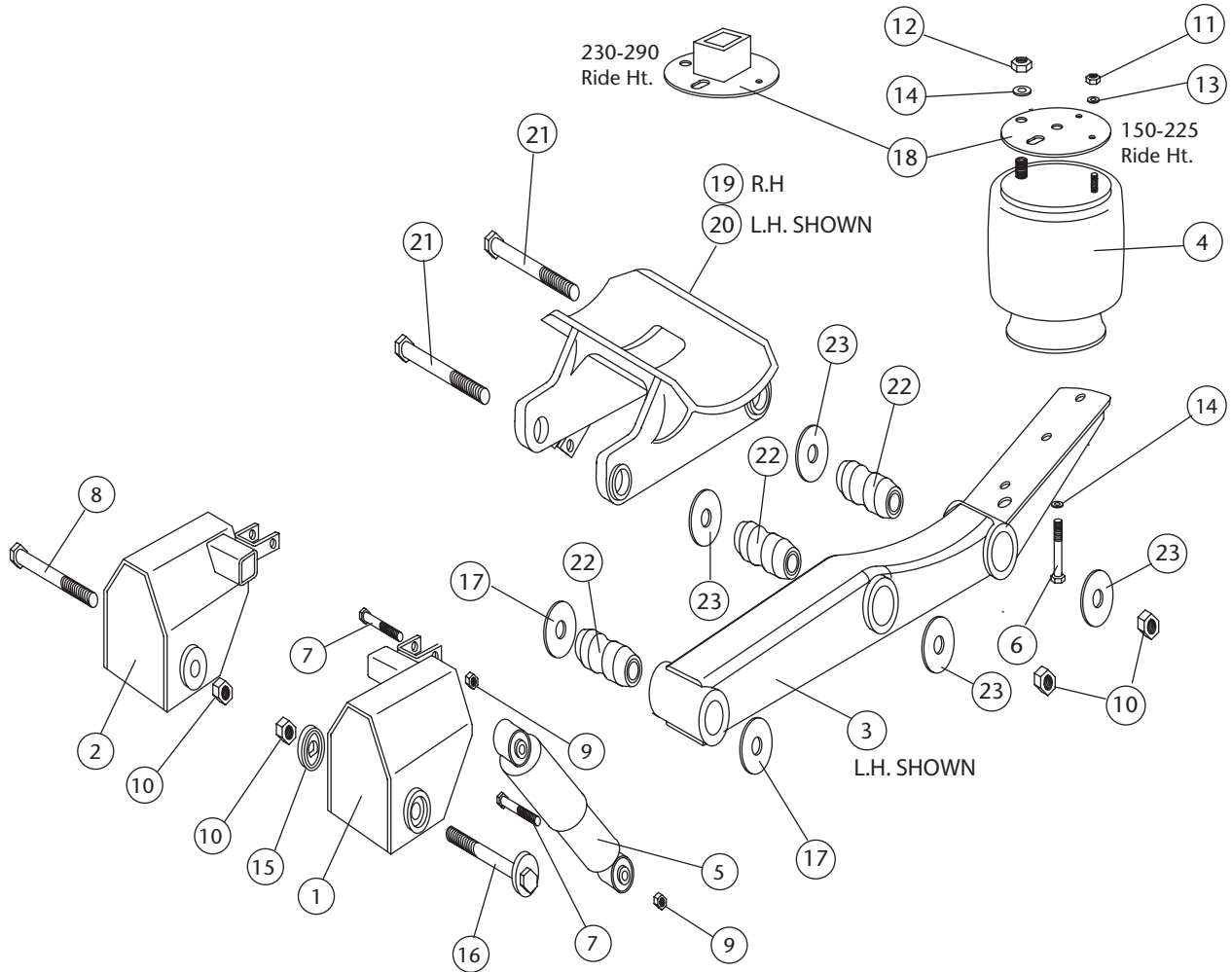
Item	Part No.	Qty	Description	Item	Part No.	Qty	Description
1	90521191	1	Frame Bracket LH (NSE110 290-360)	15	90008209	1	Alignment Block (D-hole)
	90521193	1	Frame Bracket LH (NSE110 360-430)	16	90508015	1	Alignment Block Assembly
2	90521179	1	Frame Bracket RH (NSE110 290-360)	17	90036223	12	Wear Washer
	90521180	1	Frame Bracket RH (NSE110 360-430)	18	90034237	2	Air Spring Mtg Plate (NSE110 290-360)
3	xx 90516932	1	Equalising Beam Assembly LH		90554671	2	Air Spring Mtg Plate (NSE110 360-430)
	xx 90516933	1	Equalising Beam Assembly RH	19	* 90501383	1	Adapt. & Shock Brkt RH (127mm axle)
4	90557251	2	Air Spring		90501408	1	Adapt. & Shock Brkt RH (146mm axle)
	90557233	2	Air Spring - 9 tonne NSE110(V) only	20	* 90501382	1	Adapt. & Shock Brkt LH (127mm axle)
5	M0044020	2	Shock Absorber (290-360)		90501409	1	Adapt. & Shock Brkt LH (146mm axle)
	M0044023	2	Shock Absorber (360-430)	21	* 90001280	1	Adapter Plain LH (127mm axle)
6	20000083	2	Bolt Hex M12 x 1.75 x 100G		90001304	1	Adapter Plain LH (146mm axle)
7	20000120	4	Bolt M20 x 2.5 x 100	22	* 90001279	1	Adapter Plain RH (127mm axle)
8	20000170	5	Bolt Hex M30 x 3.5 x 210		90001303	1	Adapter Plain RH (146mm axle)
9	20003005	4	Nut Lock M20 x 2.5	23	^ 90501367	1	Adapter & Shock Brkt RH
10	20003007	6	Nut Hex lock M30 x 3.5	24	^ 90501368	1	Adapter & Shock Brkt LH
11	20003015	2	Nut Hex M12 x 1.75	25	^ 90001275	2	Adapter Plain
12	20003022	2	Nut M20 x 1.5 Fine Pitch	26	^ 90001272	4	Wrapper
13	20004020	4	Lock Washer M12	27	^ 90034223	8	Backing Plate
14	20004022	2	Lock Washer 20mm	28	90008207	6	Rubber Bush with Inner Sleeve
xx	Includes bush (item 28) - 3 per beam (Bush also available separately)			*	Parts for welded axle connection (for 127mm or 146mm dia axles)		
				^	Parts for clamped/non welded axle connection (127mm axle only)		

SERVICE REPAIR KITS

Kit no.	Part Number	Description	Contents of Kit
SRK-508	48100372	RH (fixed) Pivot Connection	1 x Item 28, 2 x Item 17, 1 x Item 8, 1 x Item 10
SRK-509	48100373	LH (adjustable) Pivot Connection	1 x Item 28, 2 x item 17, 1 x Item 16, 1 x Item 10, 1 x Item 15
SRK-506	48100370	Axle Connection (both sides)	4 x Item 28, 8 x Item 17, 4 x Item 8, 4 x Item 10

Note : It is recommended that both pivot connections are replaced at the same time

NSEU SERIES AIR SUSPENSION - SPARE PARTS



Item	Part No.	Qty	Description	Item	Part No.	Qty	Description
1	90521437	1	Frame Bracket LH (NSEU110 150-225)	11	20003015	2	Nut Hex Lock M12 x 1.75
	90521435	1	Frame Bracket LH (NSEU110 230-290)	12	20003022	2	Nut M20 x 1.5 Fine Pitch
2	90521434	1	Frame Bracket RH (NSEU110 150-225)	13	20004020	4	Lock Washer M12
	90521432	1	Frame Bracket RH (NSEU110 230-290)	14	20004022	2	Lock Washer 20mm
3	xx 90516924	1	Equalising Beam Assembly LH	15	90008209	1	Alignment Block (D-hole)
	xx 90519925	1	Equalising Beam Assembly RH	16	90508015	1	Alignment Block Assembly
4	90557251	2	Air Spring	17	90036223	4	Wear Washer
5	M0044020	2	Shock Absorber (150-225)	18	90034237	2	Air Spring Mtg Plate (NSEU110 150-225)
	M0044023	2	Shock Absorber (230-290)	19	90554671	2	Air Spring Mtg Plate (NSEU110 230-290)
6	20000083	2	Bolt Hex M12 x 1.75 x 100	20	90501399	1	Adapt. & Shock Brkt RH (127mm axle)
7	20000134	4	Bolt M20 x 2.5 x 107	21	90501398	1	Adapt. & Shock Brkt LH (127mm axle)
8	20000170	1	Bolt Hex M30 x 3.5 x 210	22	20000166	4	Bolt Hex M30 x 3.5 x 220
9	20003005	4	Nut Lock M20 x 2.5	23	90008207	6	Rubber Bush with Inner Sleeve
10	20003007	6	Nut Hex Lock M30 x 3.5	23	90036232	8	Wear Washer
xx	Includes bush (item 22) - 3 per beam (Bush also available seperately)						

SERVICE REPAIR KITS

Kit no.	Part Number	Description	Contents of Kit
SRK-508	48100372	RH (fixed) Pivot Connection	1 x Item 22, 2 x Item 17, 1 x Item 8, 1 x Item 10
SRK-509	48100373	LH (adjustable) Pivot Connection	1 x Item 22, 2 x item 17, 1 x Item 16, 1 x Item 10, 1 x Item 15
SRK-507	48100371	Axle Connection (both sides)	4 x Item 22, 8 x Item 17, 4 x Item 21, 4 x Item 10

Note : It is recommended that both pivot connections are replaced at the same time

Copyright © June 2004 • The Holland Group Inc.



The Holland Group, Inc.
Holland, MI 49423
United States
Phone: (616) 396-6501
Fax: (616) 396-1511

EN ISO
9001:2000



DNV
Certified
Company

Holland Europe GmbH

Altenkamp 9
D-33758
Schloss Holte-Stukenbrock
Germany
Phone: +49 (0) 5207-89560
Fax: +49 (0) 5207-895656

Holland Eurohitch Ltd.

Hoo Farm Industrial Estate
Worcester Road
Kidderminster
Worcestershire
DY11 7RA
Phone: +44 (0) 1562-732010
Fax: +44 (0) 1562-732020

Holland Hitch (Aust.) Pty. Ltd.

Melton, Victoria, Australia
Phone: 61-(0)3-9743-6799
Fax: 61-(0)3-9747-9617

Holland Transtrade

(Thailand) Company, Ltd.
Bangkok, Thailand
Phone: 66 (0)2-513-8758
Fax: 66 (0)2-513-8757

Nippon Holland, Ltd.

Tokyo, Japan
Phone: 81-(0)3-3461-9130
Fax: 81-(0)3-3463-1407

Holland Transtrade

Far East SDN BHD
Shah Alam, Malaysia
Phone: 60 (0)3 734-2888
Fax: 60 (0)3 736-5588