



# FW17EK

## FW17EK SPECIFICATIONS



### NoLube Fifth Wheel

65000 kg Gross Combination Weight  
20000 kg Vertical Load

Type Approval e11\*94/20\*0052  
D-Value 150 kN

### FEATURES

- All lock system components are protected with a low friction coating providing long wear life and superior corrosion protection
- Thin walled steel casting and heat treating process gives exceptional performance and outstanding fatigue characteristics along with a 23% reduction in weight
- Patented surface alloy on the king pin contact surfaces of the lock jaws provides lubrication-free operation, high wear resistance and eliminates the need to grease the locks
- Operating handle fitted with automatic secondary locking device, eliminating the need for a clip and chain
- Suitable for all types of rear axle steering



### WARNING

Mounting must be carried out in accordance with Holland instructions

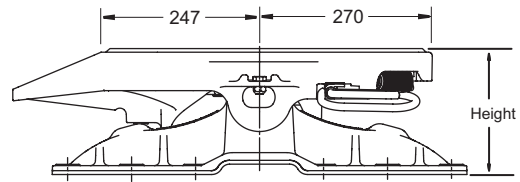


### WARNING

The load limits given are valid for operation on paved roads and under conditions prevailing in Europe. For alternative conditions please consult Holland

### LIGHTWEIGHT BRACKET MOUNT

Lightweight bracket system giving the lightest fifth wheel installation weight available



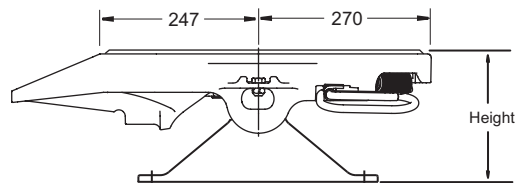
Part Number*	Height	Weight
FW17EK-DM-200	199mm	142 kg

### WEIGHTSAVER MOUNTING (Not Shown)

FW17EK-W(*)-150	151mm	134 kg
FW17EK-W(*)-175	175mm	136 kg
FW17EK-W(*)-200	200mm	139 kg
FW17EK-W(*)-240	238mm	143 kg

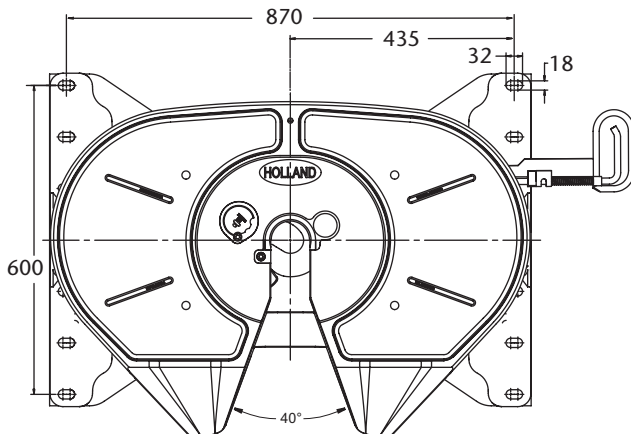
(\*) - Width of weightsaver plate : 1 = 965 mm, 2 = 1050 mm

### ISO BRACKET MOUNTING



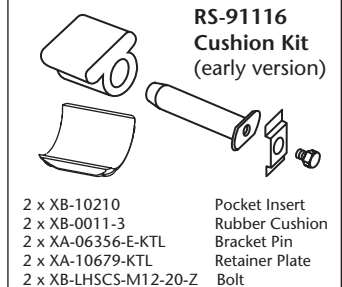
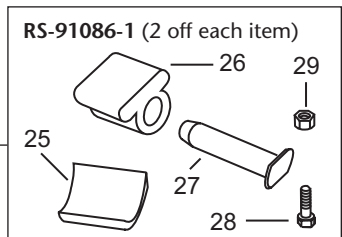
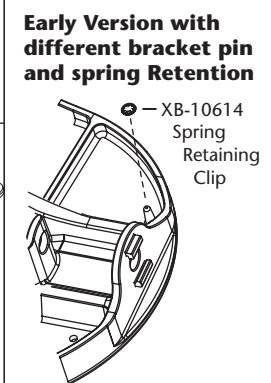
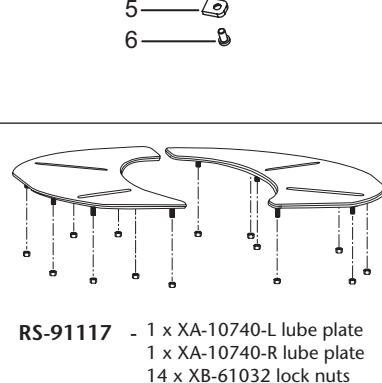
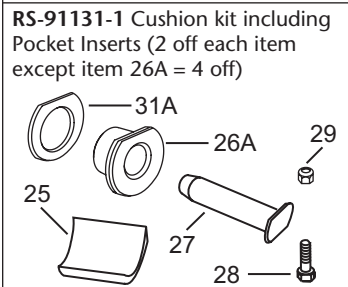
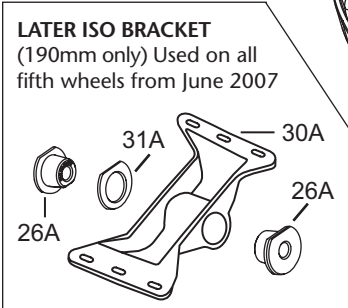
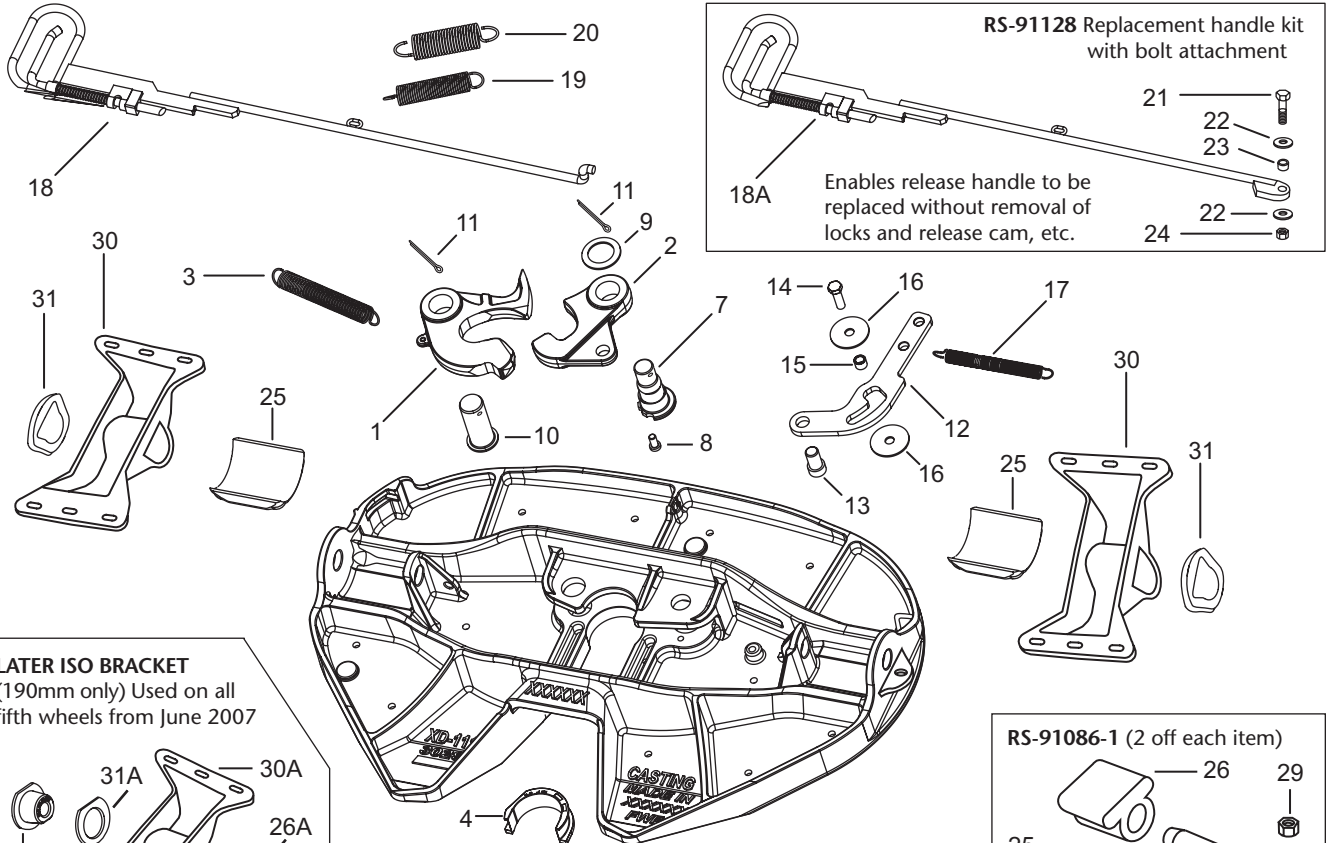
Part Number*	Height	Weight
FW17EK-IS-160	162mm	115 kg
FW17EK-IS-190	192mm	117 kg
FW17EK-IS-215	214mm	119 kg

Lightweight bracket mounting shown



Holland reserves the right, without prior notice, to change specifications and dimensions

# FW17EK NoLube FIFTH WHEEL - SPARE PARTS



Item	Part No.	Qty	Description	Item	Part No.	Qty	Description
1	* ^ XA-10486-E-KTL	1	Lock	19	* XB-10489-KTL	1	Spring - Inner
2	* ^ XA-10487-KTL	1	Hook	20	* XB-10490-KTL	1	Spring - Outer
3	* ^ XB-05843-1-KTL	1	ExtensionSpring	21	XB-76027	1	Bolt
4	* ^ XD-10680-1-KTL	1	Front Lock Insert	22	33023	2	Washer
5	* ^ XA-10706-1-KTL	1	Insert Keeper	23	XA-10974	1	Bushing
6	* ^ XB-02724-M	1	Keeper Bolt	24	32008	1	Lock Nut
7	* ^ XA-10364-3-KTL	1	Adjuster Pin	25	XB-10210	2	Pocket Insert
8	* ^ XB-02724-M	1	Location Bolt	26	XB-0011-3	2	Rubber Cushion
9	* ^ XB-05859	As Req'd	Shim Washer	26A	XB-10605	4	Rubber Cushion (see 30A)
10	* ^ XA-06344-KTL	1	Lock Pin	27	XE-06356-KTL	2	Bracket Pin
11	* ^ XB-5	2	Cotter Pin	28	31041	2	Bolt
12	* XA-10483-E1	1	Cam, Release	29	32001	2	Nut
13	* XA-10485-1-KTL	1	Pin, Hook	30	XD-04942-KTL	2	ISO Bracket - 160mm
14	* XB-HCS-M12-40-Z	1	Bolt		XD-04943-KTL	2	ISO Bracket - 190mm
15	* XA-10810	1	Bush		XD-04944-KTL	2	ISO Bracket - 215mm
16	* XB-10294	2	Washer	30A	XD-04943-S-KTL	2	ISO Bracket - 190mm (new type)
17	* XB-10563-KTL	1	Spring	31	XB-60144	2	Rubber Washer
18	* XA-10681	1	Release Handle	31A	XB-10605-RW	2	Rubber Washer (see 30A)
18A	XA-10681-A	1	Release Handle (bolt on)				
*	RS-91112		Full Overhaul Kit	RS-91086-1			Cushion Kit (July 2006 on)
^	RS-91111		Lock Repair Kit	RS-91116			Cushion Kit (Early Version)
	RS-91117		Replacement Pad Set	RS-91131-1			Cushion Kit (see 30A)



**SAF-HOLLAND GmbH**  
Hauptstraße 26  
D-63856 Bessenbach, Germany  
Phone: +49 (0) 6095-301302  
Fax: +49 (0) 6095-301200

**HOLLAND EUROHITCH Ltd.**  
Hoo Farm Ind. Est. Worcester Rd.  
Kidderminster, Worcs. DY11 7RA, UK  
Phone: +44 (0) 1562-732010  
Fax: +44 (0) 1562-732020

**HOLLAND EUROPE GmbH**  
Altenkamp 9, D-33758  
Schloss Holte-Stukenbrock, Germany  
Phone: +49 (0) 5207-89560  
Fax: +49 (0) 5207-895656