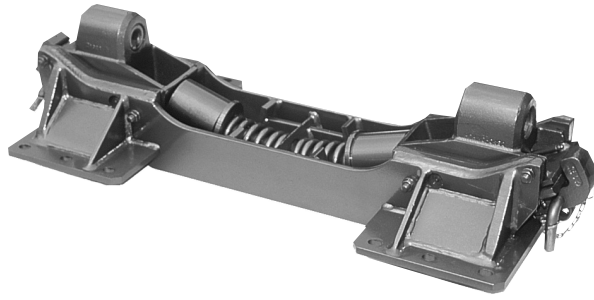




FW7E40

FW7E40 SPECIFICATIONS



Heavy Duty Kompensator® Fifth Wheel

34000 kg maximum Vertical Load

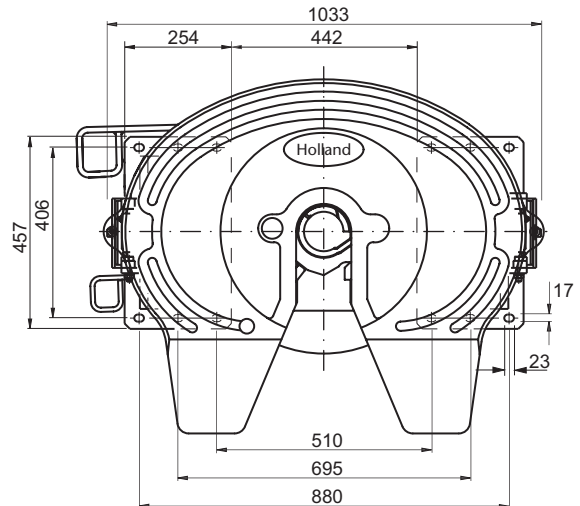
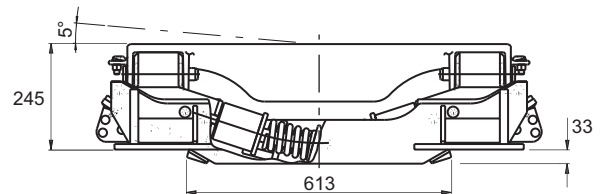
For Gross Combination Weight and D-Value see table below

FEATURES OF THE FW7E40

- Patented construction for applications where torsional relief between tractor / trailer is desired, e.g. tank trailers
- Considerable stress reduction in the trailer plate, in the cargo tank and in the tractor frame
- Incorporates the rugged cast steel top plate from the FW0E70 Fifth Wheel for long life and high strength capabilities
- The FW7E40 Fifth Wheel improves stability, axle-weight distribution and tyre life
- This Fifth Wheel is recommended for use where trailer centre of gravity is at or below max. 1 m above the top surface of the Fifth Wheel
- Lock system manufactured from high quality forged and heat-treated components for strength and durability
- Manufactured in accordance with DIN 74081 and ISO 3842 standards



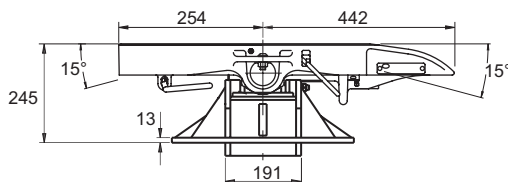
The load limits given are valid for operation on paved roads and under conditions prevailing in Europe. For alternative conditions please consult Holland



Note : Gross Combination Weight and D-Value limited according to maximum operating speed - see table below for details



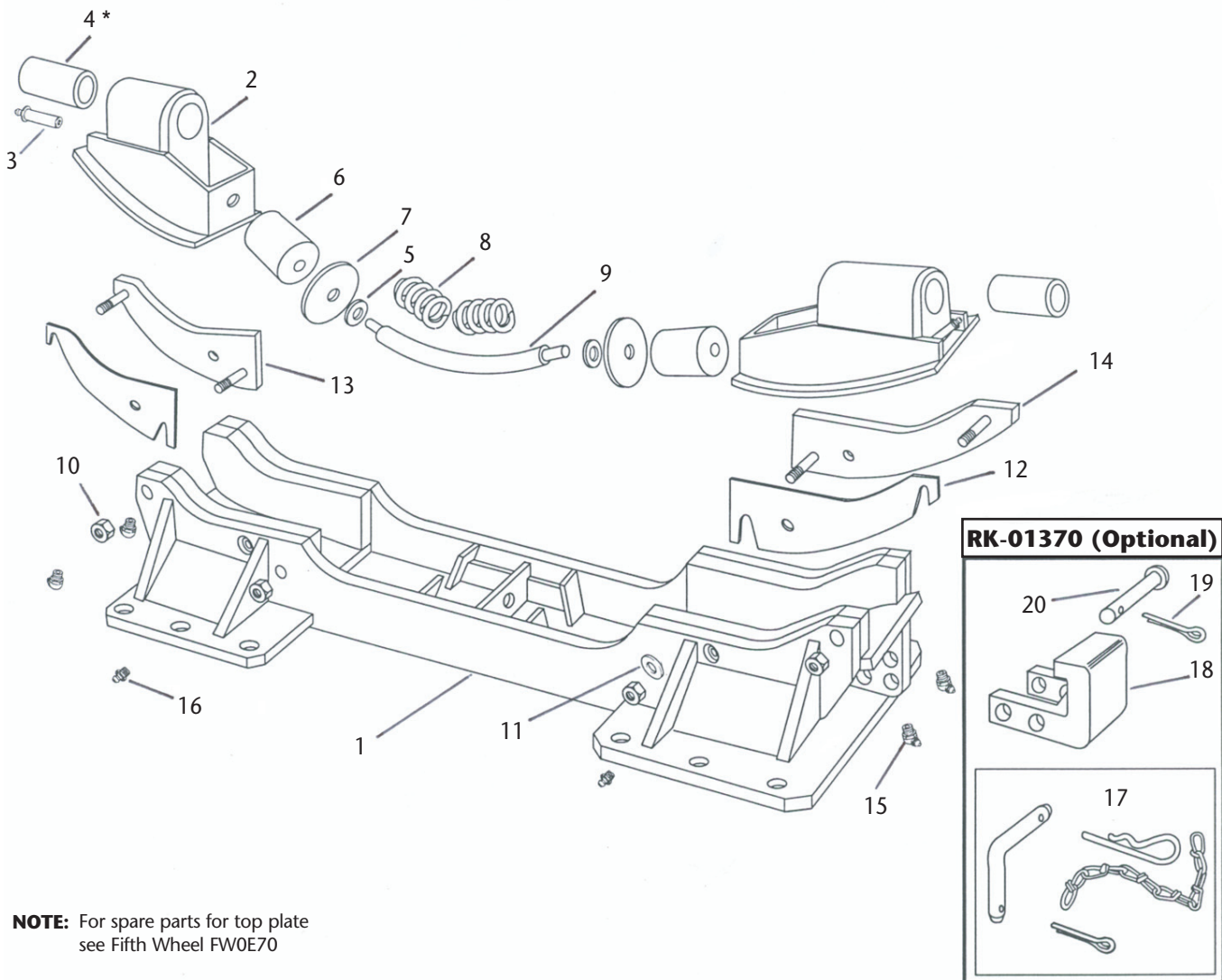
Mounting must be carried out in accordance with Holland instructions



Part Number	Weight	Locks	Gross Combination Weight	Vertical Load	D-Value	Max. Speed
FW7E40-A-2	240 kg	2"	80000 kg	34000 kg	165 kN	85 km/h
FW7E40-A	240 kg	3.5"	80000 kg	34000 kg	200 kN	85 km/h
FW7E40-A	240 kg	3.5"	80000 kg	34000 kg	240 kN	70 km/h
FW7E40-A	240 kg	3.5"	100000 kg	34000 kg	240 kN	60 km/h
FW7E40-A	240 kg	3.5"	110000 kg	34000 kg	240 kN	45 km/h

Holland reserves the right, without prior notice, to change specifications and dimensions.

KOMPENSATOR® SUB-ASSEMBLY - PARTS BREAKDOWN



NOTE: For spare parts for top plate see Fifth Wheel FWOE70

Item	Part No.	Qty.	Description	Item	Part No.	Qty.	Description
	XA-40-7743-1		Kompensator® Frame cpl. **				
1	XA-45-7743-1	1	Kompensator® Frame	12	XA-0014	2	Shim (as required)
2	XA-0024	2	Shoe Subassembly – incl. part no. 3	13	XA-01998	1	Bearing Plate – Right Hand
3	XB-H-38-F	2	Grease Fitting	14	XA-01997	1	Bearing Plate – Left Hand
4	XB-0012	2	Rubber Cushion	15	XB-H-38-C	4	45° Grease Fitting
5	^ XB-PW-1316-112	2	Washer	16	XB-H-38	4	Grease Fitting
6	XB-0009	2	Cushion	17 *	XA-01429	2	"L" Pin Subassembly
7	XA-1284-2	2	Washer	18 *	XA-01427	2	Lockout Stop
8	XB-01923	2	Compression Spring	19 *	XB-382	2	Cotter Pin .19" x 1,25"
9	XA-39	1	Tie Bar	20 *	XB-847	2	Shackle Pin
10	XB-C-59	4	Hex Lock Nut ½" -13	21	^ XA-0128-L	1	Dust Cover - Left Hand
11	XB-T-45-1	4	Lock Washer ½"	22	^ XA-0128-R	1	Dust Cover - Right Hand
^ Not fitted on later units ** Item 4 Rubber Cushion not included				* Parts are included with Kompensator® Lockout Kit RK-01370 ^ Optional - not shown			



SAF-HOLLAND GmbH
 Hauptstraße 26
 D-63856 Bessenbach, Germany
 Phone: +49 (0) 6095-301302
 Fax: +49 (0) 6095-301200

HOLLAND EUROHITCH Ltd.
 Hoo Farm Ind. Est. Worcester Rd.
 Kidderminster, Worcs. DY11 7RA, UK
 Phone: +44 (0) 1562-732010
 Fax: +44 (0) 1562-732020

HOLLAND EUROPE GmbH
 Altenkamp 9, D-33758
 Schloss Holte-Stukenbrock, Germany
 Phone: +49 (0) 5207-89560
 Fax: +49 (0) 5207-895656