



LGE SERIES

LGE SERIES SPECIFICATIONS



Landing Gear

55000 kg Static Load

27000 kg Lifting Capacity

Standard Landing Gear for General Road Transport Applications

Weight from 90 kg per set

FEATURES

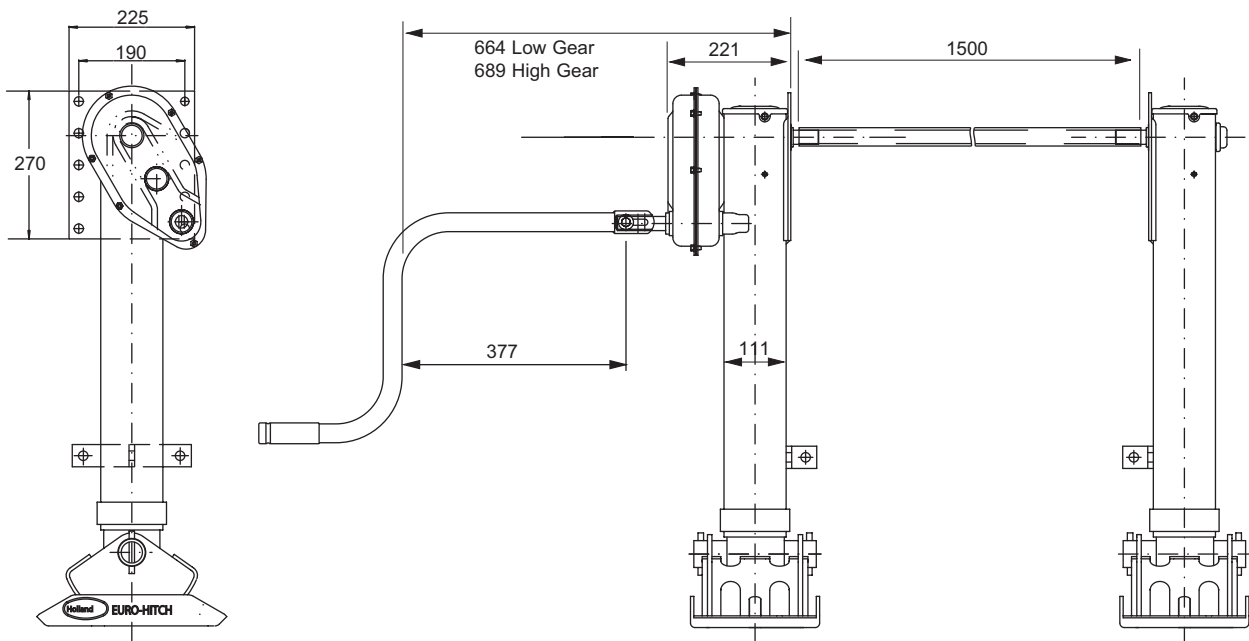
- 3 shaft heavy duty gearbox for smooth and efficient operation
- Standard low maintenance design
- Six standard travel lengths
- With Kompensating or Rocking foot for air suspension trailer applications, other footgroups also available
- Standard DIN-Mounting plate, special mounting plates available on request



WARNING

Mounting must be carried out in accordance with Holland instructions

DIMENSIONS



Lift per one revolution of handle :

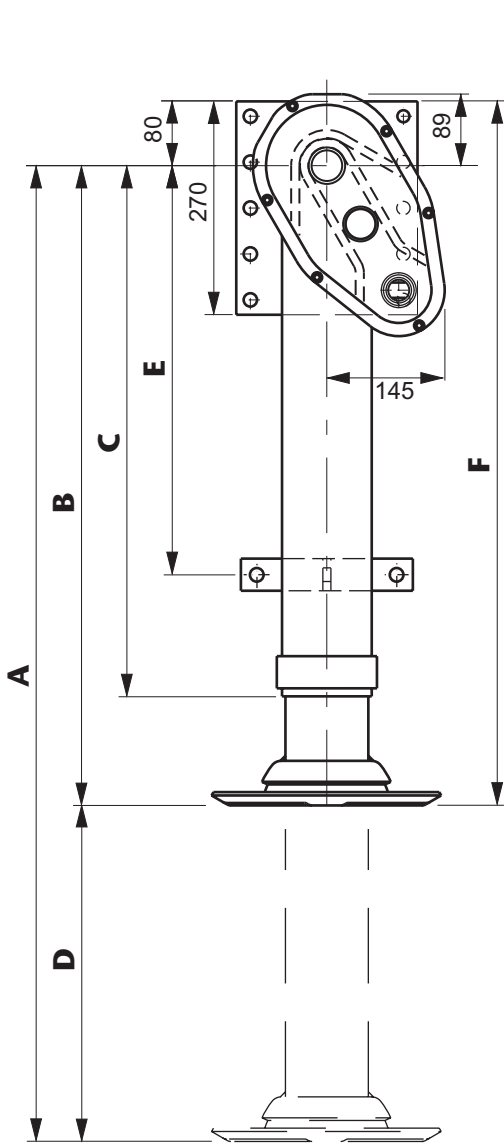
Low Gear	0.8mm
High Gear	10.5mm

Crank force per handle :

at 20t Lifting Capacity	30 kg
at 27t Lifting Capacity	37 kg

Holland reserves the right, without prior notice, to change specifications and dimensions.

LGE SERIES LANDING GEAR - DIMENSION TABLE

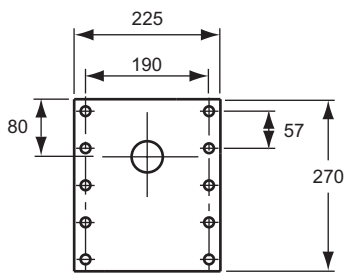


	A	B	C	D	E	F	
Self Level Foot							
LGE-0001	940	622	564	318	423	695	
LGE-1001	1062	719	584	343	443	792	
LGE-2001	1138	757	622	381	481	830	
LGE-3001	1214	795	660	419	519	868	
LGE-4001	1272	824	689	447	547	897	
LGE-5001	1329	852	716	476	575	925	
Wheel							
LGE-0103	947	709	564	239	423	782	
LGE-1103	1072	729	584	343	443	802	
LGE-2103	1148	767	622	381	481	840	
LGE-3103	1224	805	660	419	519	878	
LGE-4103	1281	834	689	447	547	907	
LGE-5103	1338	862	716	476	575	935	
Skid Foot							
LGE-0105	957	718	564	239	423	791	
LGE-1105	1081	738	584	343	443	811	
LGE-2105	1158	777	622	381	481	850	
LGE-3105	1234	815	660	419	519	888	
LGE-4105	1291	843	689	447	547	916	
LGE-5105	1348	872	716	476	575	945	
Rocking Foot							
LGE-0107	990	751	564	239	423	824	
LGE-1107	1114	771	584	343	443	844	
LGE-2107	1190	810	622	381	481	883	
LGE-3107	1266	847	660	419	519	920	
LGE-4107	1323	876	689	447	547	949	
LGE-5107	1380	904	716	476	575	977	
Kompensating Foot							
LGE-0109	996	727	564	239	423	800	
LGE-1109	1088	745	584	343	443	818	
LGE-2109	1164	783	622	381	481	856	
LGE-3109	1240	821	660	419	519	894	
LGE-4109	1298	851	688	447	547	924	
LGE-5109	1354	879	716	475	575	952	

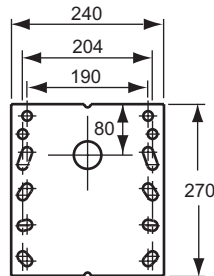
MOUNTING PLATE

To complete part number add suffix to indicate type of mounting plate required
For example LGE-5107-D for DIN standard mounting plate

DIN Standard Mounting Plate
Part Number Suffix -D

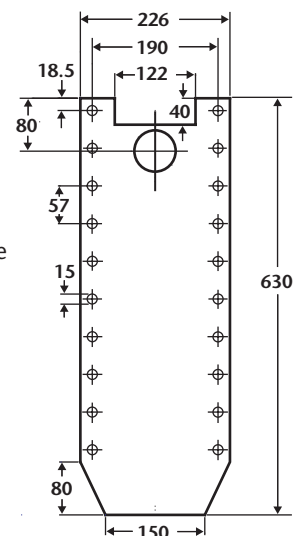


Universal Mounting Plate
Part Number Suffix -U



Full Length
Mounting Plate

Part Number
Suffix -W



Special mounting plates available on request - contact Holland with your requirements



SAF-HOLLAND GmbH
Hauptstraße 26
D-63856 Bessenbach, Germany
Phone: +49 (0) 6095-301302
Fax: +49 (0) 6095-301200

HOLLAND EUROHITCH Ltd.
Hoo Farm Ind. Est. Worcester Rd.
Kidderminster, Worcs. DY11 7RA, UK
Phone: +44 (0) 1562-732010
Fax: +44 (0) 1562-732020

HOLLAND EUROPE GmbH
Altenkamp 9, D-33758
Schloss Holte-Stukenbrock, Germany
Phone: +49 (0) 5207-89560
Fax: +49 (0) 5207-895656