



FW67-16B

FW67-16B SPECIFICATIONS



2" Air-Lift Fifth Wheel

18000 kg Lift Capacity

Lifting Height 387mm


108 kN D-Value

FEATURES OF THE FW67-16B

- Lift and lowers 18 t in seconds
- Low cost solution to your trailer spotting problem
- Lifts load straight up - minimum lift swing
- Operates efficiently in all climates
- Uses a special air release US-Version of the rugged FW3510 Fifth Wheel
- Utilizes air system already on vehicle
- Lower maintenance cost - simplicity of pneumatic lift system, no p.t.o or hydraulics

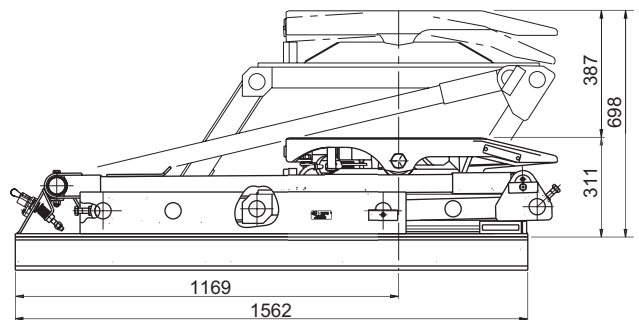
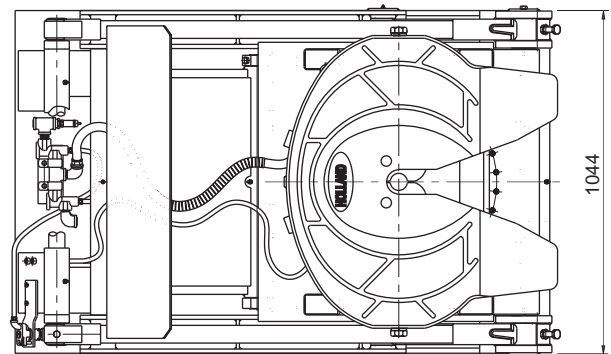

TRACTOR UNIT REQUIREMENTS

- Can be installed on almost any conventional tractor unit using the "T" style mounting angle supplied
- Recommended compressor output 680 litres/min. Minimum working pressure 8 bar
- Minimum compressor output 400 litres/min. Minimum working pressure 8 bar



WARNING

The load limits given are valid for operation on well maintained roadways and yards within distribution depots and dockyard areas. This unit is not intended for use on public highways

WARNING

Mounting must be carried out in accordance with Holland instructions

Part-Number	Height	Lift Height	Lift Capacity	D-Value	Weight	Tank
FW67-16B ¹	311-698 mm	387 mm	18000 kg	108 kN	902 kg	255 l
FW67-16B-2 ²	311-698 mm	387 mm	18000 kg	108 kN	745 kg	-
FW67-16B-6 ³	311-698 mm	387 mm	18000 kg	108 kN	665 kg	-

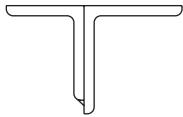
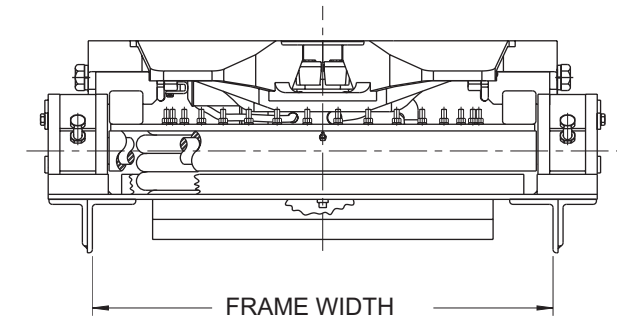
¹ Mounting angles XA-6755, Tank and Bracket Kit RK-6813 and Fitting Kit RK-6811 are included with unit.

² Mounting angles XA-6755 and Fitting Kit RK-6811 are included with unit.

³ Mounting Kit RK-6811 is included with unit.

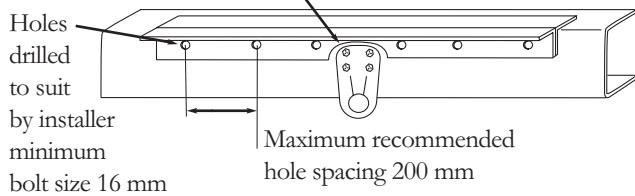
Holland reserve the right, without prior notice, to change specifications and dimensions.

MOUNTING ANGLE DETAIL

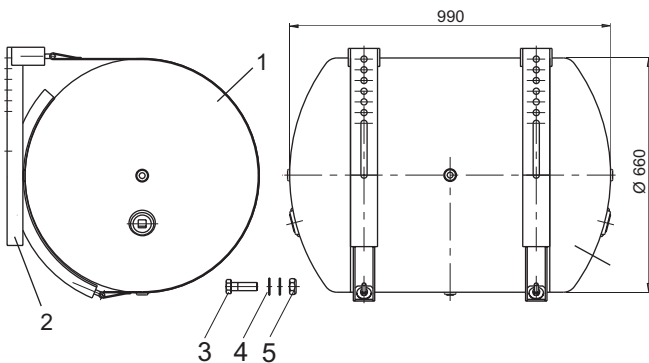


Mounting angle can be positioned to suit different widths of chassis frame and unequal 'T' design allows angle to be reversed for narrow frame width

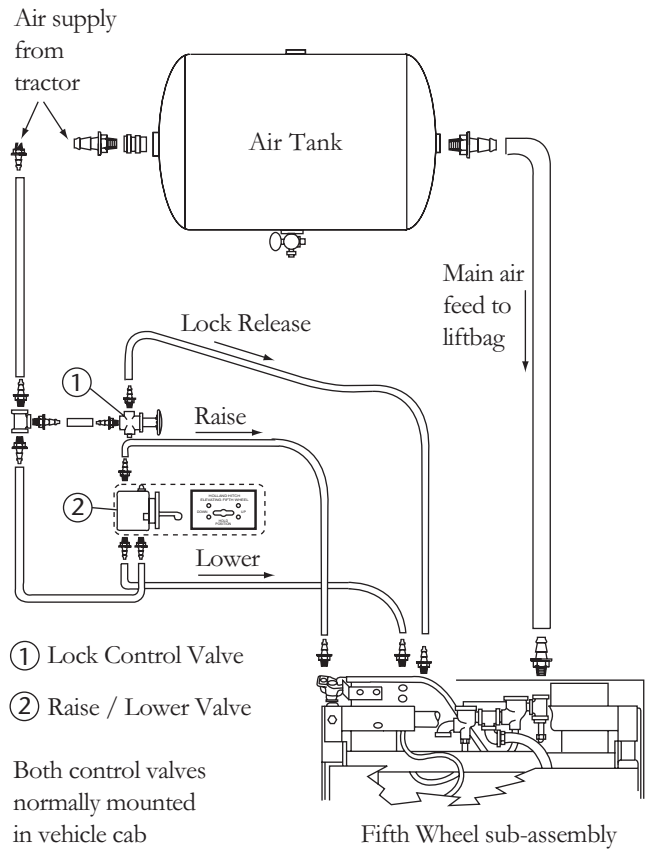
Angles can be profiled to suit chassis fittings such as spring hangers, etc.



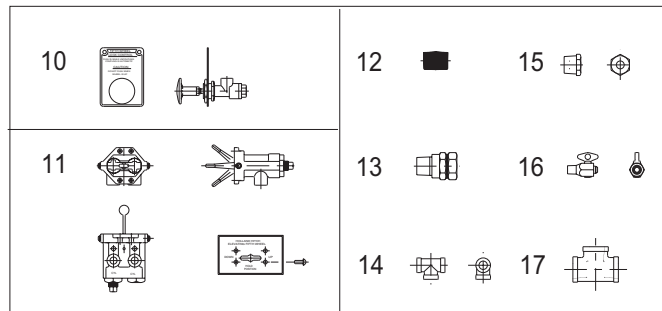
RK-6813 TANK AND BRACKET KIT



AIR SYSTEM



RK-6811 FITTING KIT



Item	Part No.	Qty.	Description	Item	Part No.	Qty.	Description
RK-6813 Tank and Bracket Kit				RK-6811 Fitting Kit			
1	XB-6773	1	Air Tank	10	XB-2556	1	Lock Control Valve
2	XA-03504	2	Tank Brackets	11	XB-4530-5	1	4 Way (Raise/Lower) Valve
3	XB-03553	4	Hex. Head Cap Screw 5/8" -11 x 2"	12	XB-0148	1	3/4" Barrel Nipple
4	XB-T-199	8	Washer 5/8"	13	XB-4579	1	Check Valve
5	XB-HNH-58-C	4	Locknut 5/8" -11	14	XB-6809	1	Pipe Tee 1/4" x 1/4" x 1/4"
				15	XB-0111	2	Reducer 3/4"-Male to 1/4"-Female
				16	XB-0143	1	Drain Cock
				17	XB-0144	1	3/4" Pipe Tee

NOTE: For complete installation instructions, spare parts and maintenance instructions see XL-FW152-3 - available on request.



SAF-HOLLAND GmbH
Hauptstraße 26
D-63856 Bessenbach, Germany
Phone: +49 (0) 6095-301302
Fax: +49 (0) 6095-301200

HOLLAND EUROHITCH Ltd.
Hoo Farm Ind. Est. Worcester Rd.
Kidderminster, Worcs. DY11 7RA, UK
Phone: +44 (0) 1562-732010
Fax: +44 (0) 1562-732020

HOLLAND EUROPE GmbH
Altenkamp 9, D-33758
Schloss Holte-Stukenbrock, Germany
Phone: +49 (0) 5207-89560
Fax: +49 (0) 5207-895656

Copyright © October 2007-SAF-HOLLAND. All information contained in this document is correct at time of copyright and is subject to change without notification all rights reserved