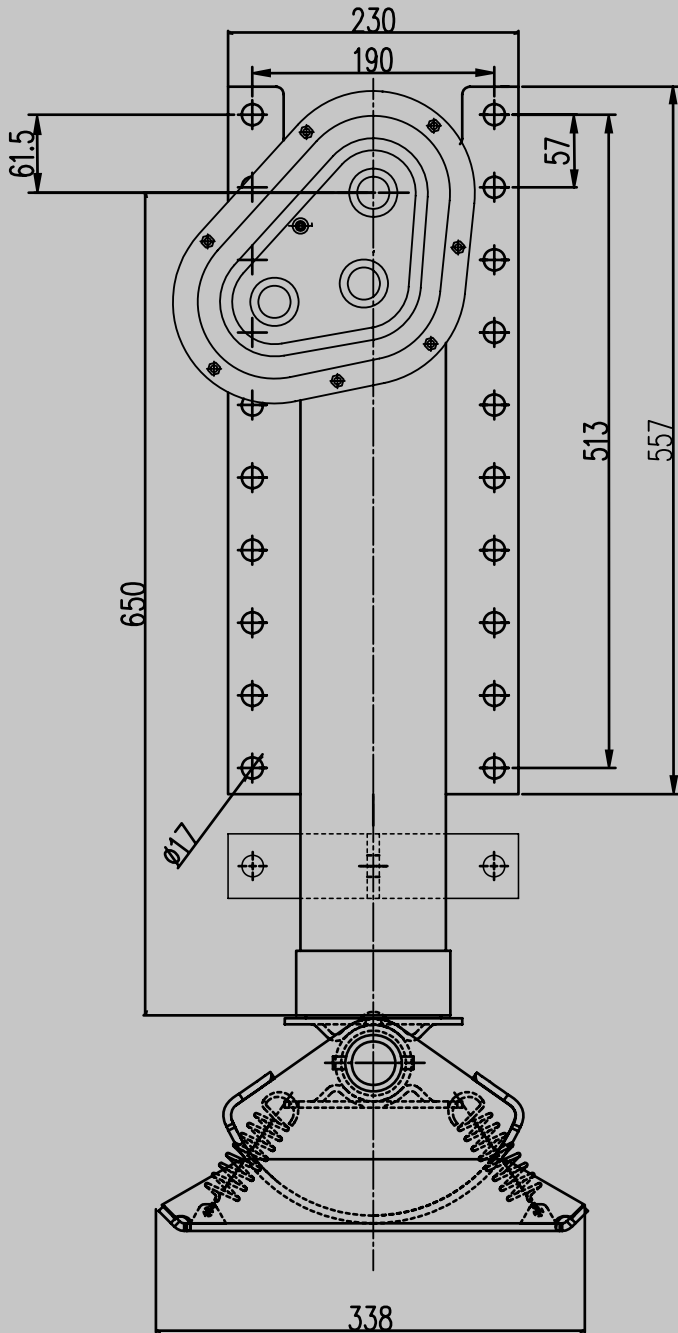


# SAF CLASSIC



# NEW!

The SAF CLASSIC Landing Gear were originally developed for the most demanding trailer applications in the world – USA and Canada. They have proven their worth over millions of miles under the toughest of conditions - on the desert highways in the western USA and the brutal winters of Canada's far north.

This trailer support system is now available in Europe as the SAF CLASSIC – an especially economic, robust and reliable solution making it perfect for just about any trailer.

**SAF CLASSIC Landing Gear meet the following requirements:**

- AAR – Association of American Railroads
- TTMA – Truck Trailer Manufacturers Association

**In Germany please observe:**

- TÜV and German Road Traffic Registration Regulations.
- The Landing Gear should always be operated in accordance with the instructions for the semi-trailer.

**Patented CONSTANT MESH GEAR (CMG)**

- to change gear, the gear does not need to be shifted, just engage and dis-engage high or low gear with the journal on the drive shaft
- that makes gear changes easier, safer and more convenient regardless of the grease level or external temperature (such as in winter)

**SAF**   
SAF-HOLLAND Group

## CLASSIC TRAILER SUPPORT SYSTEM

**72,000 kg static load**  
**24,000 kg lifting capacity**





#### Patented CONSTANT MESH GEAR (CMG)

- external gearbox enables easy inspection when necessary
- special coating provides long-term protection against environmental factors and stone chipping
- high degree of operational reliability with its multi-range grease (-50° to +120° C)
- high gear 1.8 crank turns per cm
- low gear 13.5 crank turns per cm

#### Patented SPEED CRANK (SC)

- automatic coupling when you lift the crank
- easy and reliable one-hand operation
- especially easy to handle in comparison to conventional cranks



Sand Shoe



Rocking Foot



Wheel

Compensating Foot

# CLASSIC TRAILER SUPPORT SYSTEM

**72,000 kg static load**  
**24,000 kg lifting capacity**



Compensating Foot

## Compensating Foot

Part-No. *	Total Height Extended A (mm)	Mounting Height B (mm)	Travel C (mm)	Location of Brace-Ear D (mm)
3 427 0221 00	1043	716	327	N/A
3 427 0203 00	1107	748	359	N/A
3 427 0224 00	1170	780	390	N/A
3 427 0179 00	1247	818	429	530
3 427 0206 00	1361	875	486	580
3 427 0227 00	1475	932	543	630

## Sand Shoe

Part-No. *	Total Height Extended A (mm)	Mounting Height B (mm)	Travel C (mm)	Location of Brace-Ear D (mm)
3 427 0230 00	1025	698	327	N/A
3 427 0233 00	1089	730	359	N/A
3 427 0209 00	1152	762	390	N/A
3 427 0182 00	1229	800	429	530
3 427 0202 00	1343	857	486	580
3 427 0236 00	1457	914	543	630



Sand Shoe

## Wheel

Part-No. *	Total Height Extended A (mm)	Mounting Height B (mm)	Travel C (mm)	Location of Brace-Ear D (mm)
3 427 0239 00	1025	698	327	N/A
3 427 0242 00	1089	730	359	N/A
3 427 0214 00	1152	762	390	N/A
3 427 0191 00	1229	800	429	530
3 427 0217 00	1343	857	486	580
3 427 0245 00	1457	914	543	630



Wheel

## Rocking Foot

Part-No. *	Total Height Extended A (mm)	Mounting Height B (mm)	Travel C (mm)	Location of Brace-Ear D (mm)
3 427 0248 00	1066	739	327	N/A
3 427 0251 00	1130	771	359	N/A
3 427 0254 00	1193	803	390	N/A
3 427 0188 00	1270	840	429	530
3 427 0257 00	1384	898	486	580
3 427 0260 00	1498	955	543	630



Rocking Foot

\* Please note:

Set = pair of right and left.

The cross drive shaft, speed crank (SC), and crank holder are not included and have to be ordered separately. Different variants or foot types are available on request.



- TÜV and European Road Traffic Registration Regulations.
- The Landing Gear should always be operated in accordance with the instructions for the semi-trailer.

# TABLE OF PARTS

## Compensating Foot

Description	installation height					
	716 mm	748 mm	780 mm	818 mm	875 mm	932 mm
Set*	3 427 0221 00	3 427 0203 00	3 427 0224 00	3 427 0179 00	3 427 0206 00	3 427 0227 00
Leg gearside	3 427 0222 00	3 427 0204 00	3 427 0225 00	3 427 0180 00	3 427 0207 00	3 427 0228 00
Leg w/o gear	3 427 0223 00	3 427 0205 00	3 427 0226 00	3 427 0181 00	3 427 0208 00	3 427 0229 00
Leg w/o foot gearside	4 434 2213 00	4 434 2205 00	4 434 2215 00	4 434 2201 00	4 434 2207 00	4 434 2217 00
Leg w/o foot	4 434 2214 00	4 434 2206 00	4 434 2216 00	4 434 2202 00	4 434 2208 00	4 434 2218 00

## Sand Shoe

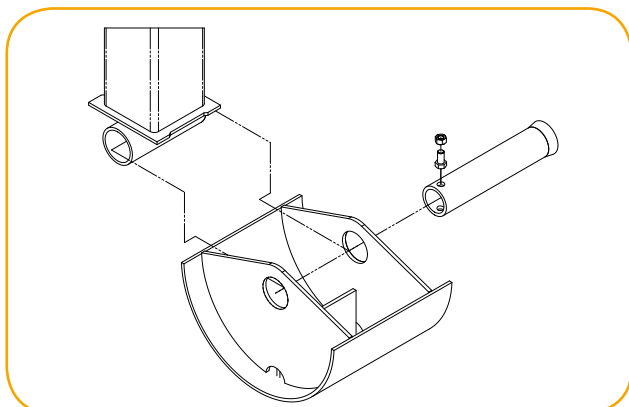
Description	installation height					
	698 mm	730 mm	762 mm	800 mm	857 mm	914 mm
Set*	3 427 0230 00	3 427 0233 00	3 427 0209 00	3 427 0182 00	3 427 0202 00	3 427 0236 00
Leg gearside	3 427 0231 00	3 427 0234 00	3 427 0210 00	3 427 0183 00	3 427 0212 00	3 427 0237 00
Leg w/o gear	3 427 0232 00	3 427 0235 00	3 427 0211 00	3 427 0184 00	3 427 0213 00	3 427 0238 00
Leg w/o foot gearside	4 434 2219 00	4 434 2221 00	4 434 2209 00	4 434 2203 00	4 434 2211 00	4 434 2223 00
Leg w/o foot	4 434 2220 00	4 434 2222 00	4 434 2210 00	4 434 2204 00	4 434 2212 00	4 434 2224 00

## Wheel

Description	installation height					
	698 mm	730 mm	762 mm	800 mm	857 mm	914 mm
Set*	3 427 0239 00	3 427 0242 00	3 427 0214 00	3 427 0191 00	3 427 0217 00	3 427 0245 00
Leg gearside	3 427 0240 00	3 427 0243 00	3 427 0215 00	3 427 0192 00	3 427 0218 00	3 427 0246 00
Leg w/o gear	3 427 0241 00	3 427 0244 00	3 427 0216 00	3 427 0193 00	3 427 0219 00	3 427 0247 00
Leg w/o foot gearside	4 434 2219 00	4 434 2221 00	4 434 2209 00	4 434 2203 00	4 434 2211 00	4 434 2223 00
Leg w/o foot	4 434 2220 00	4 434 2222 00	4 434 2210 00	4 434 2204 00	4 434 2212 00	4 434 2224 00

## Rocking Foot

Description	installation height					
	739 mm	771 mm	803 mm	840 mm	898 mm	955mm
Set*	3 427 0248 00	3 427 0251 00	3 427 0254 00	3 427 0188 00	3 427 0257 00	3 427 0260 00
Leg gearside	3 427 0249 00	3 427 0252 00	3 427 0255 00	3 427 0189 00	3 427 0258 00	3 427 0261 00
Leg w/o gear	3 427 0250 00	3 427 0253 00	3 427 0256 00	3 427 0190 00	3 427 0259 00	3 427 0262 00
Leg w/o foot gearside	4 434 2219 00	4 434 2221 00	4 434 2209 00	4 434 2203 00	4 434 2211 00	4 434 2223 00
Leg w/o foot	4 434 2220 00	4 434 2222 00	4 434 2210 00	4 434 2204 00	4 434 2212 00	4 434 2224 00



**\* Please note:**

Set = pair of right and left.

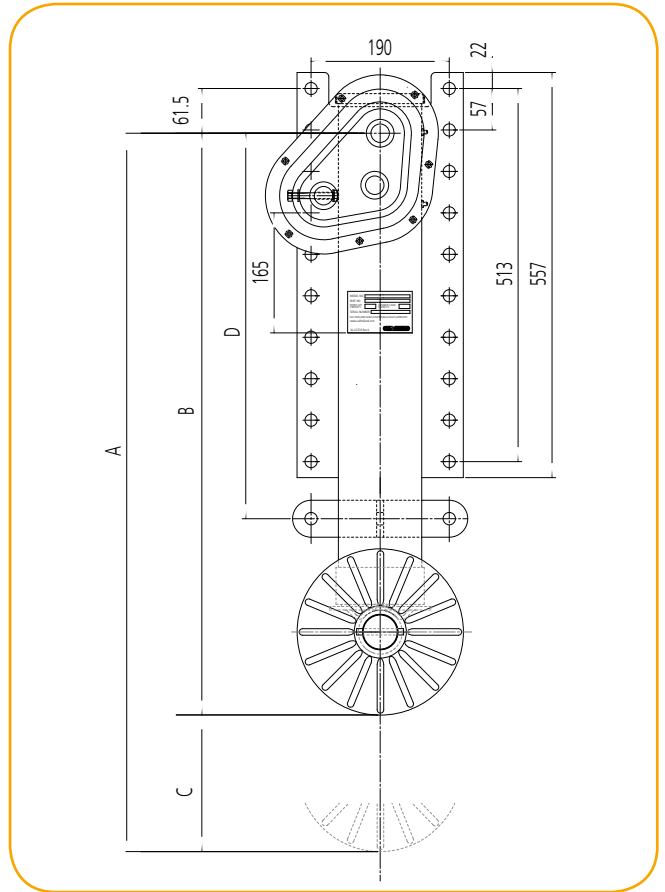
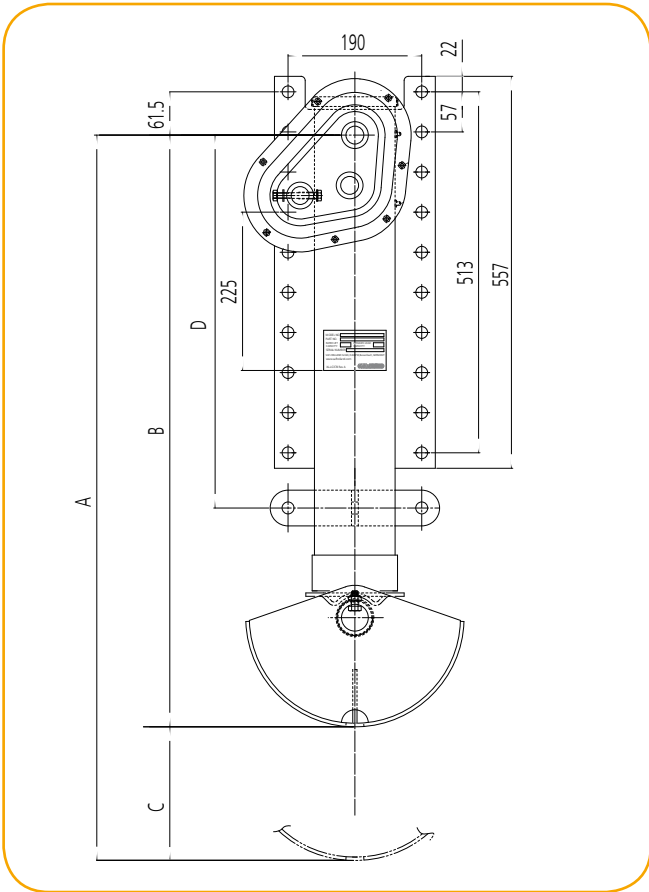
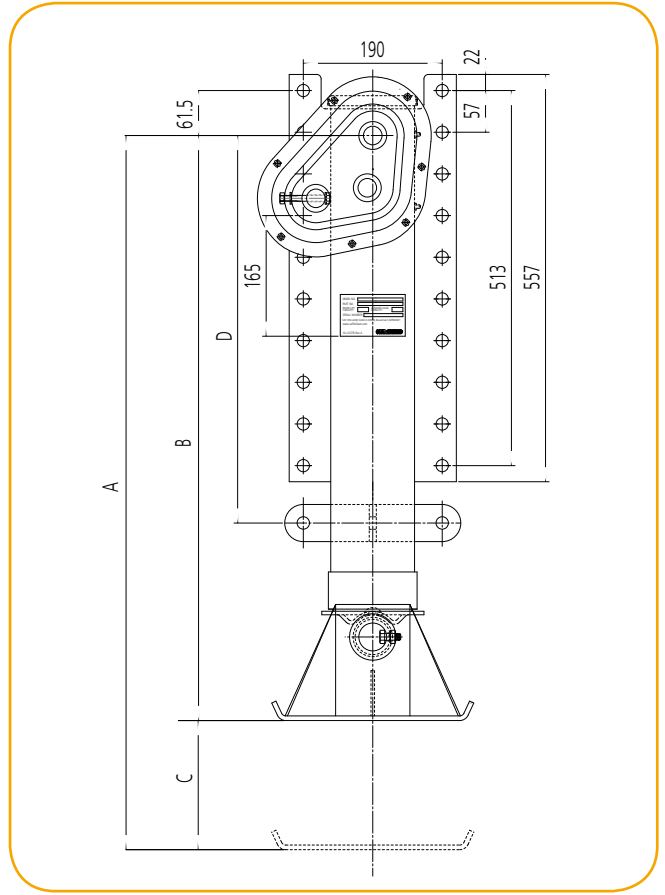
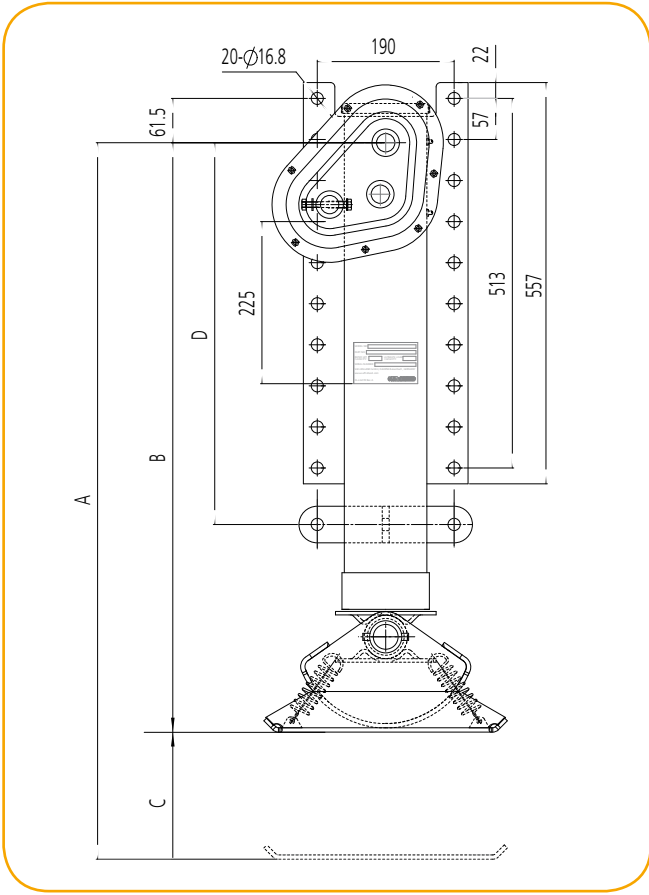
**The cross drive shaft, speed crank (SC), and crank holder are not included and have to be ordered separately. Different variants or foot types are available on request.**

**Do you want more technical information?**

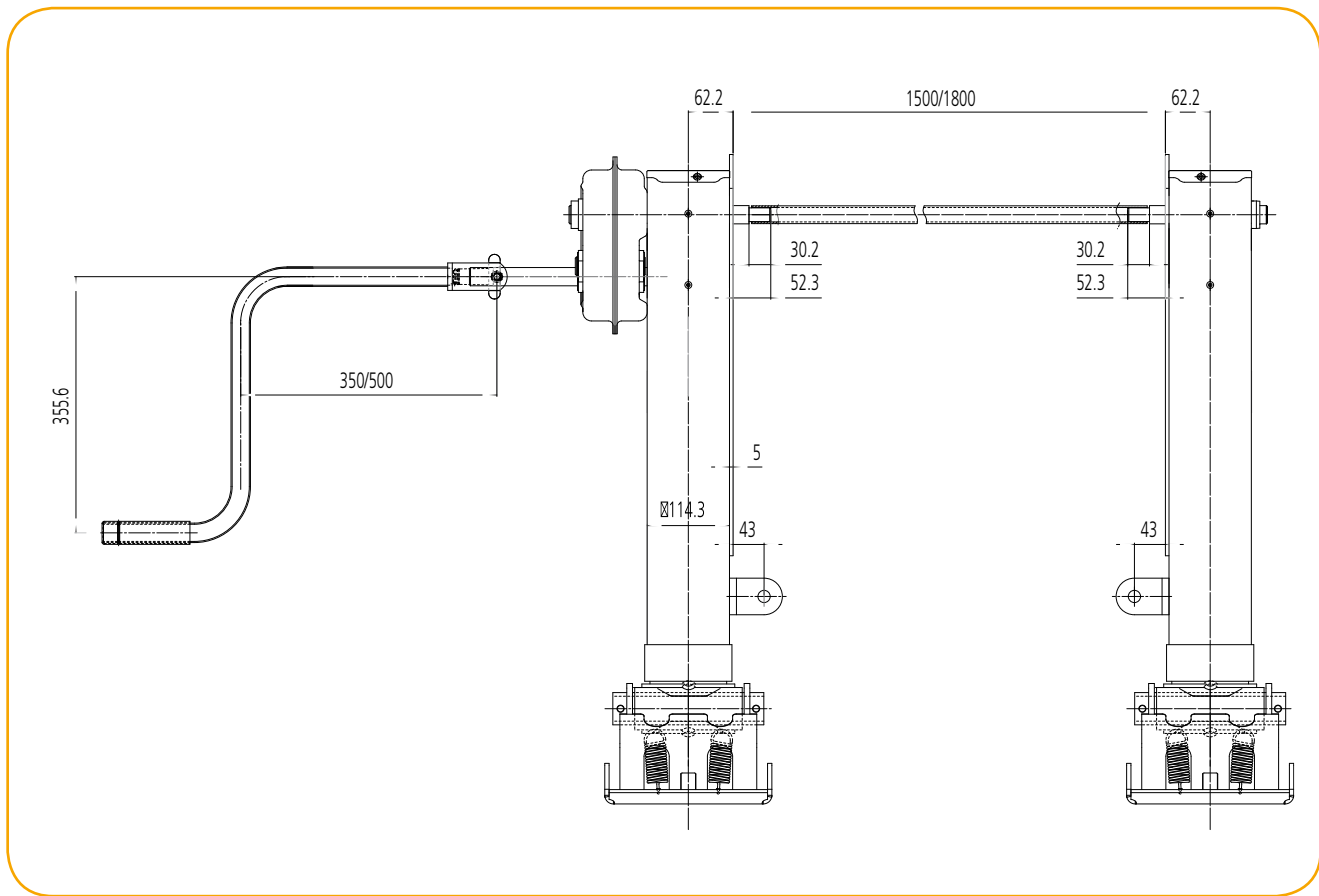
Please contact the SAF-HOLLAND Aftermarket Business Unit directly.



# TECHNICAL SPECIFICATIONS



# PARTS OVERVIEW



All figures in mm.

# SPARE PARTS AND ACCESSORIES

Part No.	Description
3 427 0194 00	Crank 350mm / 14"
3 427 0195 00	Crank 500 mm / 20"
3 427 0198 00	Crank holder – short
XA-60024	Crank holder – long
XA-E-1910	Cross drive shaft 1500 mm
XA-E-1910-1800	Cross drive shaft 1800 mm
3 434 2001 00	Spare part kit "Compensating Foot" including foot mounting parts and accessories
3 434 2002 00	Spare part kit "Sand Shoe" including foot mounting parts and accessories
3 434 2003 00	Spare part kit "Rocking Foot" including foot mounting parts and accessories
3 434 2004 00	Spare part kit "Wheel" including foot mounting parts and accessories



SAF's history begins in 1881 in a village forge in Germany with the invention of a new plough. The family business soon starts building steel axles for agricultural vehicles, and under the name Otto Sauer Achsenfabrik (SAF) develops into one of the leading manufacturers of trailer axles and suspension systems in Europe.

A safety coupling between plough and horse team can be found at the beginning of Holland's history. The Safety Release Clevis Company was founded in South Dakota, USA, in 1910. After its move to Holland, Michigan, the company emerges as one of the largest supplier companies to the commercial vehicles industry under the name The Holland Hitch Company.

The merger of the two companies to form SAF-HOLLAND in 2006 creates one of the leading global suppliers of high-quality components and services for the commercial vehicle industry. Alongside axle and suspension systems for trailers and semi-trailers, the product range also includes kingpins and landing gear as well as fifth wheels for tractors, air suspensions, coupling products and numerous other components for buses and trucks.

In 2008, SAF-HOLLAND takes over Georg Fischer Verkehrstechnik, a leading supplier to the commercial vehicle industry, expanding its product range with GF fifth wheels and kingpins as well as the TRILEX wheel system and accessories for tractors, semitrailers and trailers.

Today the SAF-HOLLAND group is represented on all continents and distributes its products and services worldwide under the brand names SAF and HOLLAND as well as GF, TRILEX and NEWAY. It possesses its own distribution network with global service and dealer locations.



SAF-HOLLAND components, whether fifth wheel or landing gear, have a service-friendly design and are manufactured using up-to-date production facilities, constantly undergoing stringent end-of-line testing.

If a replacement part is required for service or repair work, we always recommend installing SAF-HOLLAND original parts. These are manufactured to the same high standards as our OEM and will grant you the same comforting level of security and peace of mind that SAF-HOLLAND has stood for through the years. We recommend to specify SAF-HOLLAND Original Parts when servicing your SAF-HOLLAND product.

Always be sure to spec SAF-HOLLAND Original Parts when servicing your SAF-HOLLAND product.

**SAF-HOLLAND GmbH**

Business Unit Aftermarket · Hauptstraße 26 · 63856 Bessenbach · Germany  
Tel +49 6095 301-0 · [www.safholland.com](http://www.safholland.com)

