



NSEU 110

NSEU SERIES SPECIFICATIONS

NOTE : Product Discontinued - for spare parts information only



Trailer Air Suspension

11 tonne Axle Capacity - Offset Airspring
Underslung Beam

150 - 290mm Ride Height

FEATURES

- Two bush axle connection controls axle movement and reduces axle stress giving unsurpassed roll stability and optimum tyre life
- **EZ-ALIGN™** front pivot connection provides positive alignment and easy serviceability
- Rigid trailing arm design extends brake and tyre life through better load equalization



WARNING

The load limits given are valid for operation on paved roads and under conditions prevailing in Europe. For alternative conditions please consult Holland

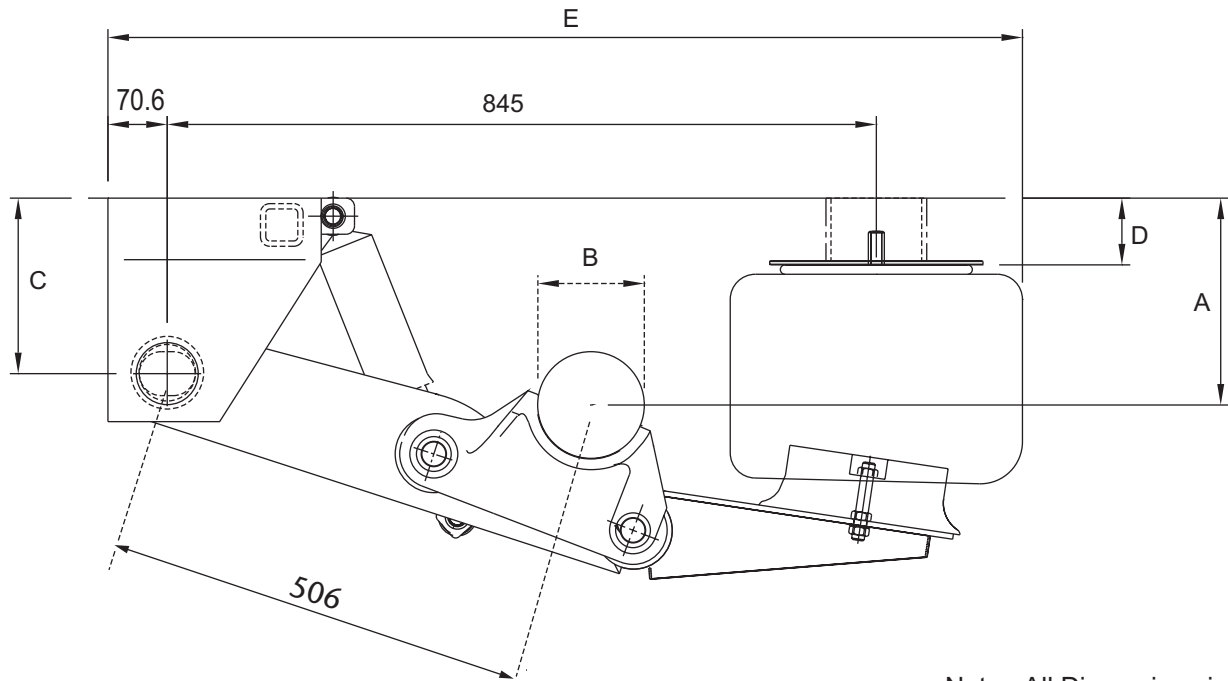


WARNING

Mounting must be carried out in accordance with Holland instructions

- Composite air spring piston for reduced weight and improved resistance to impact and corrosion
- Lightweight - from 140 Kg excluding axle
- Available for 127mm diameter round axles

NSEU 110 UNDERSLUNG SUSPENSION

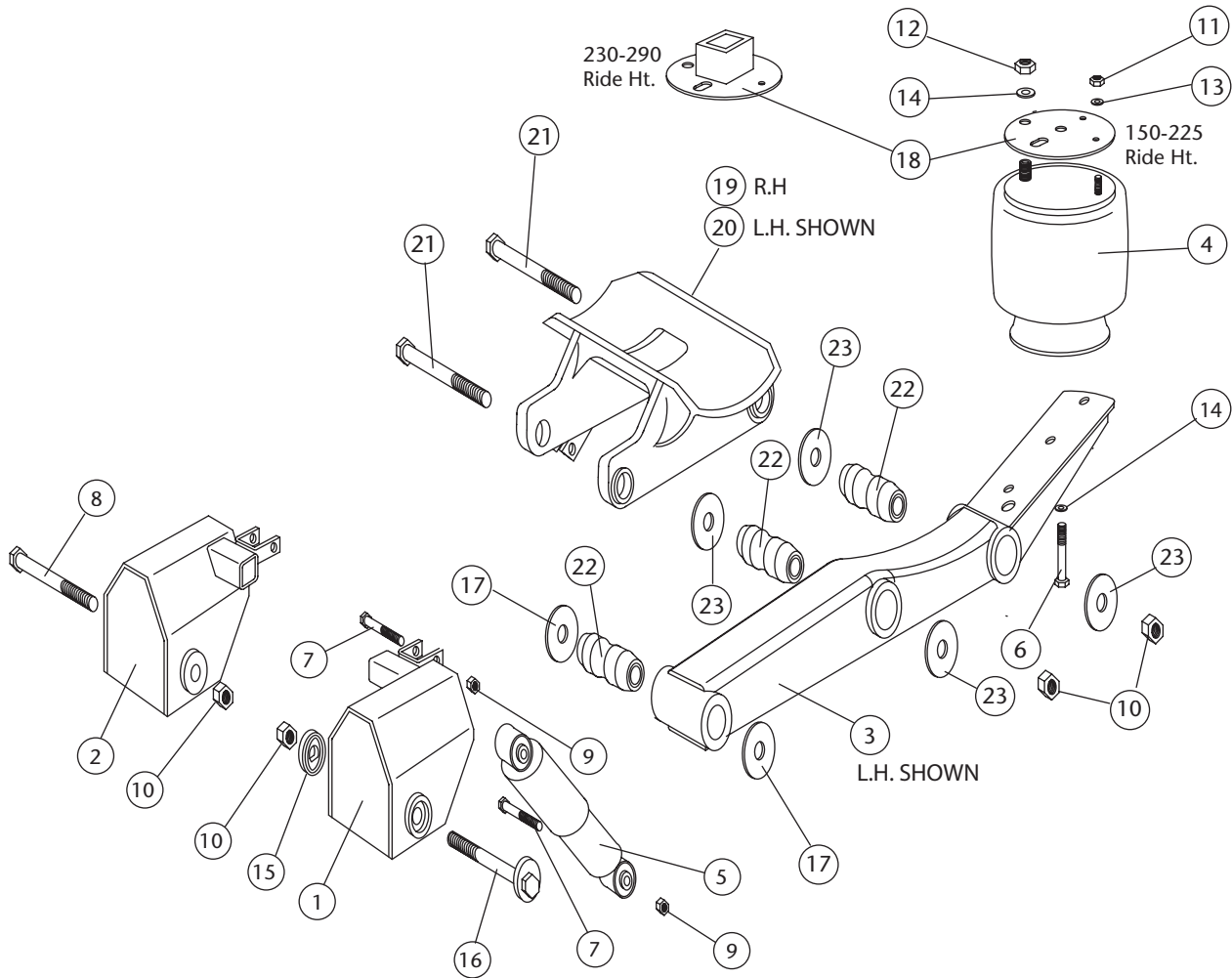


Note : All Dimensions in mm

DIMENSIONS	Ride Ht. 'A'	Axle Dia. 'B'	Pivot Ht. 'C'	Length 'E'	Airspring Offset	Pedestal 'D'
NSEU110 150-225	150-225	127	133	1090	64	6
NSEU110 230-290	230-290	127	210	1090	64	81

Holland reserves the right, without prior notice, to change specifications and dimensions

NSEU SERIES AIR SUSPENSION - SPARE PARTS



Item	Part No.	Qty	Description	Item	Part No.	Qty	Description
1	90521437	1	Frame Bracket LH (NSEU110 150-225)	11	20003015	2	Nut Hex Lock M12 x 1.75
	90521435	1	Frame Bracket LH (NSEU110 230-290)	12	20003022	2	Nut M20 x 1.5 Fine Pitch
2	90521434	1	Frame Bracket RH (NSEU110 150-225)	13	20004020	4	Lock Washer M12
	90521432	1	Frame Bracket RH (NSEU110 230-290)	14	20004022	2	Lock Washer 20mm
3	xx 90516924	1	Equalising Beam Assembly LH	15	90008209	1	Alignment Block (D-hole)
	xx 90519925	1	Equalising Beam Assembly RH	16	90508015	1	Alignment Block Assembly
4	90557251	2	Air Spring	17	90036223	4	Wear Washer
5	M0044020	2	Shock Absorber (150-225)	18	90034237	2	Air Spring Mtg Plate (NSEU110 150-225)
	M0044023	2	Shock Absorber (230-290)		90554671	2	Air Spring Mtg Plate (NSEU110 230-290)
6	20000083	2	Bolt Hex M12 x 1.75 x 100	19	90501399	1	Adapt. & Shock Brkt RH (127mm axle)
7	20000134	4	Bolt M20 x 2.5 x 107	20	90501398	1	Adapt. & Shock Brkt LH (127mm axle)
8	20000170	1	Bolt Hex M30 x 3.5 x 210	21	20000166	4	Bolt Hex M30 x 3.5 x 220
9	20003005	4	Nut Lock M20 x 2.5	22	90008207	6	Rubber Bush with Inner Sleeve
10	20003007	6	Nut Hex Lock M30 x 3.5	23	90036232	8	Wear Washer
xx	Includes bush (item 22) - 3 per beam (Bush also available seperately)						

SERVICE REPAIR KITS

Kit no.	Part Number	Description	Contents of Kit
SRK-508	48100372	RH (fixed) Pivot Connection	1 x Item 22, 2 x Item 17, 1 x Item 8, 1 x Item 10
SRK-509	48100373	LH (adjustable) Pivot Connection	1 x Item 22, 2 x item 17, 1 x Item 16, 1 x Item 10, 1 x Item 15
SRK-507	48100371	Axle Connection (both sides)	4 x Item 22, 8 x Item 17, 4 x Item 21, 4 x Item 10

Note : It is recommended that both pivot connections are replaced at the same time



SAF-HOLLAND GmbH
Hauptstraße 26
D-63856 Bessenbach, Germany
Phone: +49 (0) 6095-301302
Fax: +49 (0) 6095-301200

HOLLAND EUROHITCH Ltd.
Hoo Farm Ind. Est. Worcester Rd.
Kidderminster, Worcs. DY11 7RA, UK
Phone: +44 (0) 1562-732010
Fax: +44 (0) 1562-732020

HOLLAND EUROPE GmbH
Altenkamp 9, D-33758
Schloss Holte-Stukenbrock, Germany
Phone: +49 (0) 5207-89560
Fax: +49 (0) 5207-895656

Copyright © October 2007-SAF-HOLLAND. All information contained in this document is correct at time of copyright and is subject to change without notification all rights reserved