



FIFTH WHEELS

SERVICE BULLETIN



FW3010

Replacement of wear ring and/or bolts

23rd May 2002



All maintenance must be performed by a qualified person using proper tools and safety procedures. All maintenance must be performed while the tractor is uncoupled from the trailer

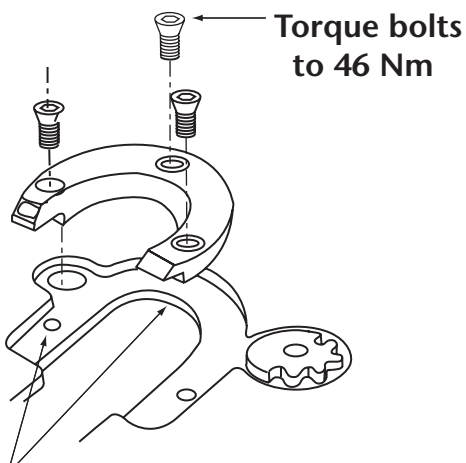
GENERAL NOTES

When replacing any wear ring, new bolts, which are supplied pre-treated with a thread lock compound, must be used.

It is essential to check that the fifth wheel is correctly adjusted and that the kingpins to be used with the fifth wheel are in good condition. Any excessive free play between the kingpin and fifth wheel jaw will result in the kingpin "hammering" against the wear ring during braking and acceleration which will cause the wear ring bolts to come loose

PROCEDURE

- 1) Remove bolts and remove wear ring
- 2) Ensure that mating surface between wear ring and fifth wheel top plate is clean, dry and free of dust, grit or foreign bodies which may prevent correct seating of wear ring
- 3) Thoroughly clean out threads with a solvent type thread cleaner and ensure that threads are clean and dry. This is essential to guarantee that maximum strength is achieved by the thread lock compound applied to the bolts
- 4) Fit wear ring with new thread lock pre-treated bolts. Use a torque wrench to tighten the bolts to 46 Nm
- 5) Check adjustment of fifth wheel lock jaw system and adjust if necessary
- 6) Ensure that kingpins on any trailers to be use with the fifth wheel are in good condition and not excessively worn



Ensure cleanliness of mating surfaces and threads



Copyright © June 2004 • The Holland Group Inc.



The Holland Group, Inc.
Holland, MI 49423
United States
Phone: (616) 396-6501
Fax: (616) 396-1511

EN ISO
9001:2000



DNV
Certified
Company

Holland Europe GmbH

Altenkamp 9
D-33758
Schloss Holte-Stukenbrock
Germany

Phone: +49 (0) 5207-89560
Fax: +49 (0) 5207-895656

Holland Eurohitch Ltd.

Hoo Farm Industrial Estate
Worcester Road
Kidderminster
Worcestershire
DY11 7RA

Phone: +44 (0) 1562-732010
Fax: +44 (0) 1562-732020

Holland Hitch (Aust.) Pty. Ltd.

Melton, Victoria, Australia
Phone: 61-(0)3-9743-6799
Fax: 61-(0)3-9747-9617

Holland Transtrade

(Thailand) Company, Ltd.
Bangkok, Thailand
Phone: 66 (0)2-513-8758
Fax: 66 (0)2-513-8757

Nippon Holland, Ltd.

Tokyo, Japan
Phone: 81-(0)3-3461-9130
Fax: 81-(0)3-3463-1407

Holland Transtrade

Far East SDN BHD
Shah Alam, Malaysia
Phone: 60 (0)3 734-2888
Fax: 60 (0)3 736-5588