

## New Service tool: mounting tool for hub units on axles

To avoid damages on the axle spindles and to make the assembling easier you can use the mounting tool for hub units.

SAF's mounting tool for hub units makes it easier to place the hub unit onto the axle spindle. The universal mounting tool can be used both for axles with disc brakes and for axles with drum brakes. You can use it for assembly as well as disassembly. It is suitable for both axle spindles because of a right-hand thread and a left-hand thread.



Fig.1 Mounting tool with right/left-hand thread

You can order this mounting tool with the following order number:

**4 434 1067 00 Bearing seat Ø 82 mm**

**4 434 1068 00 Bearing seat Ø 88 mm**

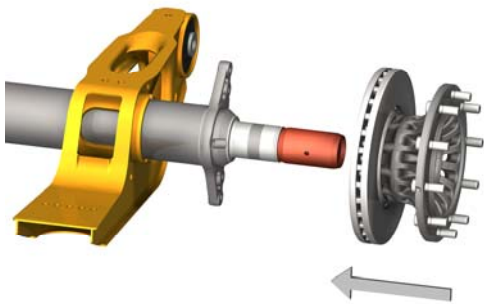


Fig.2 Mounting tool for axles with disc brake

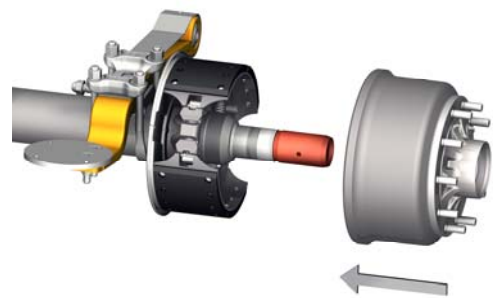


Fig.3 Mounting tool for axles with drum brake