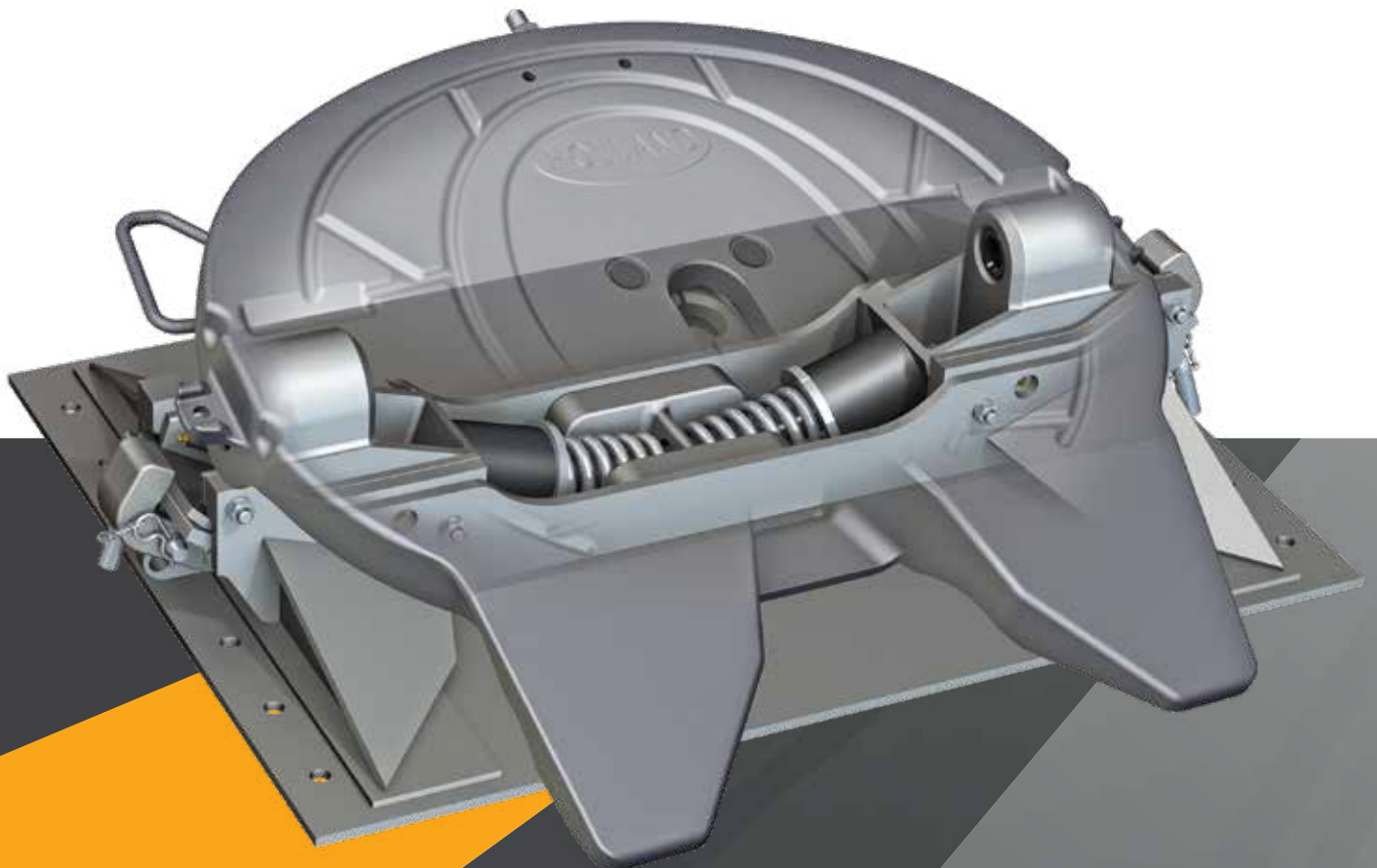




Kompensator[®]

The Fifth Wheel Mounting Solution for Torsional Stress Damage Experienced by Rigid Trailers with High Center of Gravity Payloads



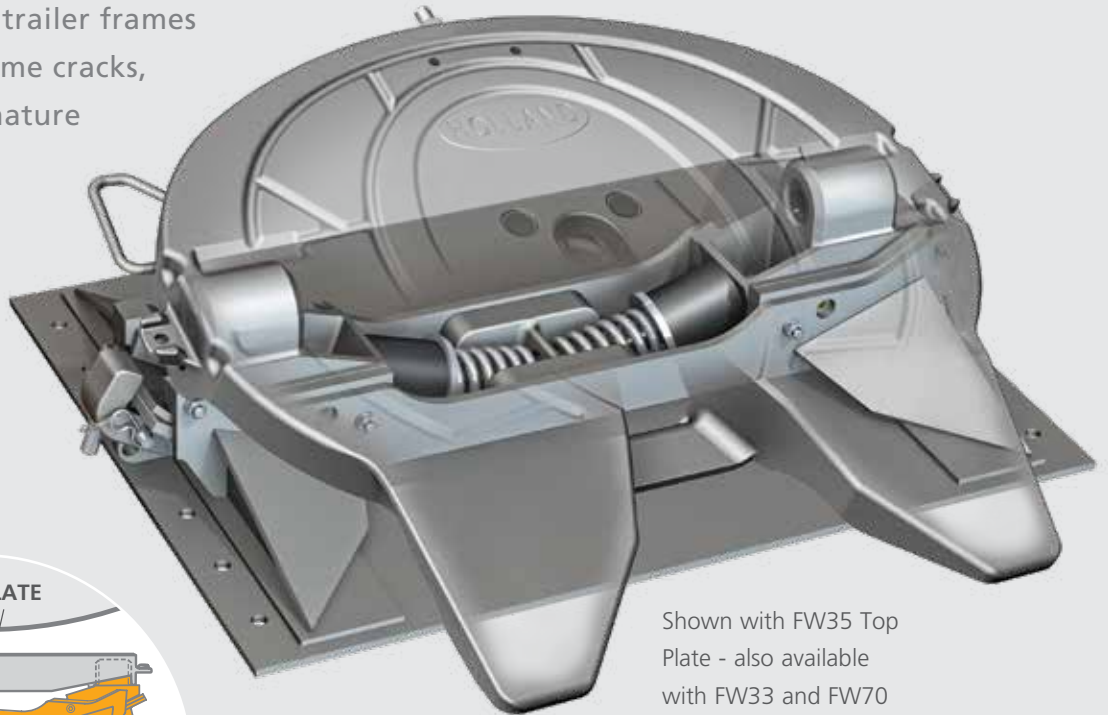
HOLLAND

Kompensator®

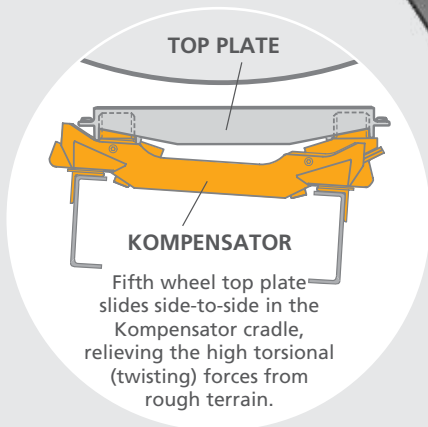
HOLLAND Kompensator® is the world's only mounting system designed to relieve the force created in rigid trailers in uneven terrain. This twisting force places great strain on tractor and trailer frames which can lead to frame cracks, leaky tanks and premature drive tire wear.

Kompensator Solution

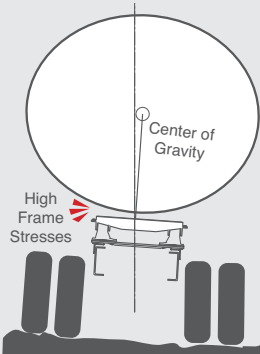
The patented design of the Kompensator cradles the fifth wheel to provide side-to-side compensation in uneven terrain. This allows more flexibility between tractor and trailer and reduces torque and twist transfer through the fifth wheel.



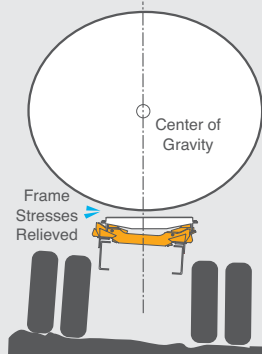
Shown with FW35 Top Plate - also available with FW33 and FW70



TANKER IN UNEVEN/ROUGH TERRAIN WITHOUT KOMPENSATOR
Center of Gravity Shifts Off Vehicle Center



TANKER IN UNEVEN/ROUGH TERRAIN WITH KOMPENSATOR
Center of Gravity is Stable at Vehicle Center



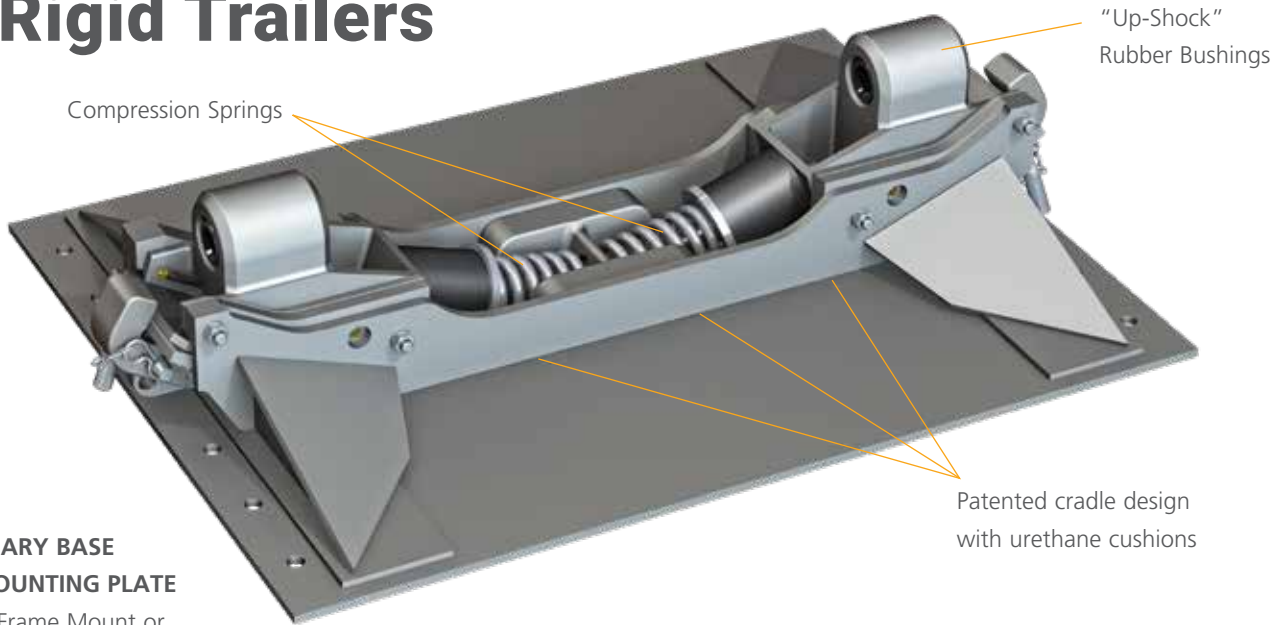
FW35/FW33

55,000 lbs. (25,000 kg)
Maximum Vertical Load
150,000 lbs. (68,000 kg)
Maximum Drawbar Pull

FW7040

70,000 lbs. (32,000 kg)
Maximum Vertical Load
200,000 lbs. (91,000 kg)
Maximum Drawbar Pull
(Available as Outboard Angle Mount Only)

The Solution for Relieving Torsional Stress Experienced by Rigid Trailers



STATIONARY BASE WITH MOUNTING PLATE

Over the Frame Mount or Outboard Angle Mount available

The HOLLAND Kompensator® is trusted in off-highway markets for oil patches, natural gas fracking, and military applications, as well as on-highway markets for tankers, drybulks, bottom dumps and grain haulers.

Optional lockout

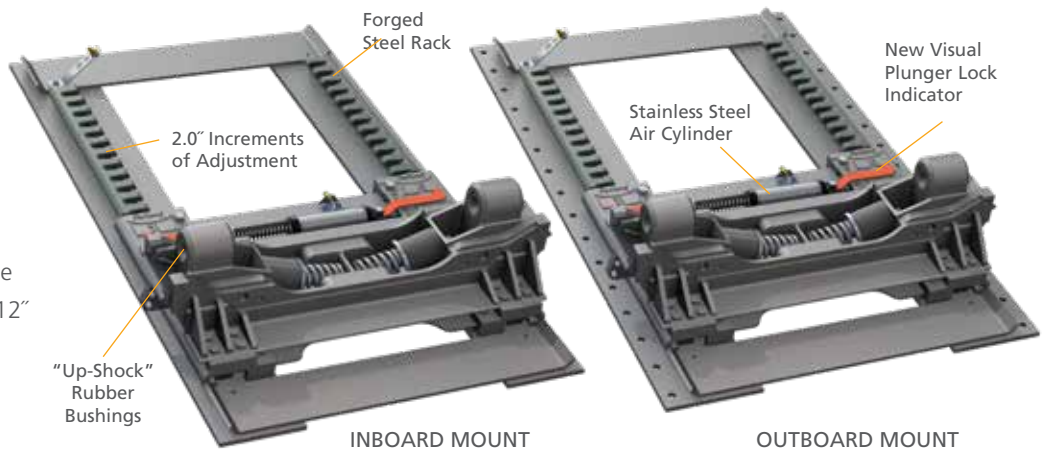
Optional lockout can be engaged when side-to-side compensation is not desired. Available on all models.



Severe-Duty Kompensator® With Slide Base Also Available

Inboard and outboard for angle mounting with air slide release

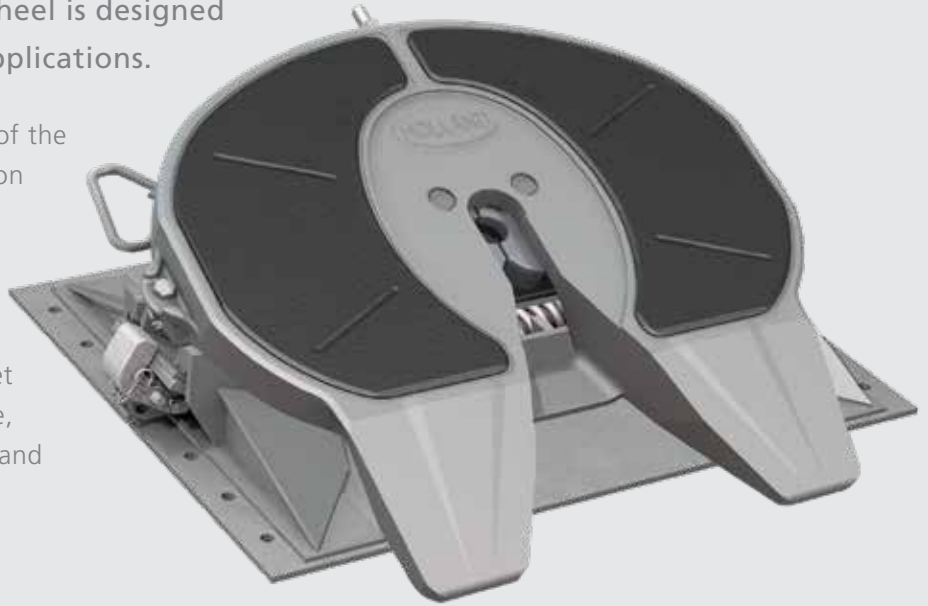
Available in multiple slide lengths – ranging from 12” to 72”, and a mounting height of 13”.



Spec With The FW33 LowLube For Reduced Maintenance Costs

The HOLLAND FW33 fifth wheel is designed specifically for vocational applications.

It combines the proven reliability of the FW35 top plate with the innovation of patented HOLLAND LowLube technology. The FW33 Series eliminates the use of grease on the top plate surface and between the top plate and bracket reducing lubrication cost and time, extending maintenance intervals, and improving driver productivity.



LowLube technology provides a smoother, more fluid ride and a constant feel for the way the trailer pulls while reducing maintenance – saving time and money.



INDUSTRY LEADING!

6 Years

600,000 Miles

The HOLLAND FW35 and FW33 Series are guaranteed for 6 Years / 600,000 Miles to provide maximum operation performance.

WHAT DOES THE PERFORMANCE GUARANTEE MEAN FOR YOU?

In the unlikely case of wear requiring lock mechanism replacement, SAF-HOLLAND will cover the cost of parts, labor and freight.*

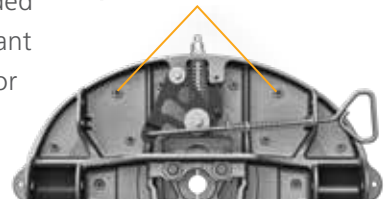
* Refer to warranty XL-FW10040WC for full details.



Heavy-Duty Lube Plate Inserts

The patented, grease-free design is molded to honeycomb pattern steel plates resistant to peeling, warping, or other damage, for unmatched durability and reliability.

Easy access lube plate fasteners.



HOLLAND Kompensator®

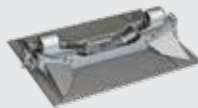
Mounting Base Models

FW35 Stationary Over-the-Frame Mount – Standard Capacity



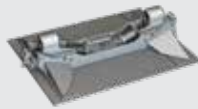
MODELS WITH BASE AND MOUNTING PLATE		
MODEL NUMBER	NOMINAL F.W. HEIGHT	APPROX. WEIGHT
FW35-7221XL	12.76"	667 lbs/303 kg
FW35-7222XL	11.76"	652 lbs/296 kg
FW35-7223XL	9.76"	590 lbs/268 kg

FW35 Stationary Outboard Angle Mount – Standard Capacity



MODELS WITH BASE AND .38" X 30" X 40" MOUNT PLATE		
MODEL NUMBER	NOMINAL F.W. HEIGHT	APPROX. WEIGHT
FW35-7726XL	12.76"	660 lbs/299 kg
FW35-7727XL	11.76"	651 lbs/295 kg
FW35-7729XL	9.76"	586 lbs/266 kg

FW70 Stationary Outboard Angle Mount – Extra Capacity



MODELS WITH BASE AND .50" X 30" X 40" MOUNT PLATE		
MODEL NUMBER	NOMINAL F.W. HEIGHT	APPROX. WEIGHT
FW7040-7776XL	12.88"	836 lbs/379 kg
FW7040-7777XL	11.88"	821 lbs/372 kg
FW7040-7779XL	9.88"	749 lbs/340 kg

FIFTH WHEEL FRAME WIDTH CODE CHART

FRAME WIDTH	CODE	FRAME WIDTH	CODE	FRAME WIDTH	CODE
33.25"	A	33.75"	E	34.25"	J
33.38"	B	33.88"	F	34.38"	K
33.50"	C	34.00"	G	34.50"	L
33.62"	D	34.12"	H		

Note: For FW35 models with left-hand release, replace "L" with "R" in model number.

Note: For models with LowLube, replace FW35 with FW33.

Note: FW70 models are available with left-hand release only.

Note: FW70 models are available as outboard angle mount only.

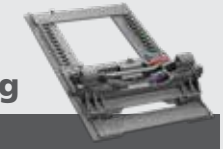
Note: For optional lockout feature, add "19" to the end of part number (available on all models).

FW35 Severe-Duty Sliding



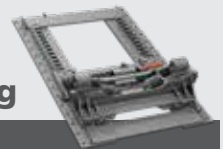
OUTBOARD MOUNT			
MODEL NUMBER	NOMINAL F.W. HEIGHT	SLIDE TRAVEL	APPROX. WEIGHT
FW35K312YL00	13"	12"	872 lbs/396 kg
FW35K324YL00	13"	24"	922 lbs/418 kg
FW35K336YL00	13"	36"	972 lbs/441 kg
FW35K348YL00	13"	48"	1022 lbs/464 kg
FW35K360YL00	13"	60"	1072 lbs/486 kg
FW35K372YL00	13"	72"	1122 lbs/509 kg

FW35 Severe-Duty Sliding



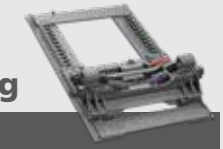
INBOARD MOUNT			
MODEL NUMBER	NOMINAL F.W. HEIGHT	SLIDE TRAVEL	APPROX. WEIGHT
FW35K312ZL00	13"	12"	859 lbs/390 kg
FW35K324ZL00	13"	24"	879 lbs/399 kg
FW35K336ZL00	13"	36"	935 lbs/424 kg
FW35K348ZL00	13"	48"	973 lbs/441 kg
FW35K360ZL00	13"	60"	1011 lbs/459 kg
FW35K372ZL00	13"	72"	1049 lbs/476 kg

FW70 Severe-Duty Sliding



OUTBOARD MOUNT			
MODEL NUMBER	NOMINAL F.W. HEIGHT	SLIDE TRAVEL	APPROX. WEIGHT
FW70K312YL00	13"	12"	972 lbs/441 kg
FW70K324YL00	13"	24"	1022 lbs/464 kg
FW70K336YL00	13"	36"	1072 lbs/486 kg
FW70K348YL00	13"	48"	1122 lbs/509 kg
FW70K360YL00	13"	60"	1172 lbs/532 kg
FW70K372YL00	13"	72"	1222 lbs/554 kg

FW70 Severe-Duty Sliding



INBOARD MOUNT			
MODEL NUMBER	NOMINAL F.W. HEIGHT	SLIDE TRAVEL	APPROX. WEIGHT
FW70K312ZL00	13"	12"	921 lbs/418 kg
FW70K324ZL00	13"	24"	959 lbs/435 kg
FW70K336ZL00	13"	36"	997 lbs/452 kg
FW70K348ZL00	13"	48"	1035 lbs/469 kg
FW70K360ZL00	13"	60"	1073 lbs/487 kg
FW70K372ZL00	13"	72"	1111 lbs/504 kg

Engineering Your Road to Success

The SAF-HOLLAND® Group is one of the leading international manufacturers of suspension-related assemblies and components for trailers, trucks and buses. Our innovative products increase the efficiency, safety and environmental friendliness of commercial vehicles, contribute to the success of our customers. With around 5,500 employees worldwide, we are at the forefront of shaping the future of the transportation industry.



Trailer Axles and
Suspension Systems



Coupling and Lifting
Technologies



Brake Solutions and
Air Valve Technologies



Suspensions and Components
for Commercial Vehicles



Suspensions for
Trucks and Buses



Trailer
Telematics



Coupling and Lifting
Technologies



Trailer Axles and
Suspensions Systems

safholland.com

SAF-HOLLAND, Inc.
Tel 800.876.3929

SAF-HOLLAND Canada Limited
Tel 519.537.3494
Western Canada 604.574.7491

SAF-HOLLAND Mexico
Tel 52.55.5456.8641