



# DB-030DQ1 DB-040DQ1

## DB-030DQ1 and DB-040DQ1 SPECIFICATIONS



Weight: 14 lbs.



Forged steel drawbar with 4-bolt mounting base

### IMPORTANT SAFETY INFORMATION

Maintain adequate vertical (tongue) load to adequately control the trailer (generally 10%), but do not exceed the capacity ratings at right.

This equipment must not be used or maintained in a careless manner.

#### DURING OPERATION

1. Be sure the drawbar size is compatible with the coupling device on the tow vehicle.
2. Do not damage the coupling components. Be particularly careful during coupling and uncoupling.
3. Inspect the coupling device on the tow vehicle for proper operation. Do not use any coupling device that does not operate properly.
4. Other steps and inspections are also required. Consult OSHA and D.O.T. regulations and American Trucking Association for complete coupling and uncoupling procedures. These cover items such as cargo securement, brakes, lights, safety chains and other important requirements.
5. Do not modify or add to the product.
6. Wear safety goggles during installation and removal.
7. Never strike any part of the item with a steel hammer.
8. Do not weld on this product.

### TOWING APPLICATIONS

Trailers, full trailers (including doubles) and equipment designed for over-the-road towing within the stated capacities. For off-road applications, reduce the above capacities by 25% and use in conjunction with a swivel type coupling device.

### DRAWBAR EYE DIMENSIONS

2.5" I.D. eye with a 1.25" x 1.5" diameter section.

### MOUNTING

1. Use a mounting structure of sufficient strength to support the rated capacity of the drawbar in accordance with SAE J849 and SAE J847, respectively.
2. Use the hole pattern described on the reverse.
3. For DB-030DQ1 use (4) 1/2" (.5") grade 8 fasteners, properly tightened. (Hardware mounting kit RK-10389 available.) (The recommended minimum torque is 80 ft-lbs, per SAE J429.)  
For DB-040DQ1 use (4) 5/8" (.62") grade 8 fasteners, properly tightened. (The recommended minimum torque is 125 ft-lbs, per SAE J429.)

### CAPACITY RATINGS

**DB-030DQ1** . . . . . Maximum Vertical Tongue Load (1/2" bolts) 6,000 lb.

Maximum Gross Trailer Weight 30,000 lb.

**NOTE:** When used for hinged tongue trailer applications where maximum vertical load cannot exceed 500 lbs., the maximum gross trailer weight is 38,000 lbs.

**DB-040DQ1\*** . . . . . Maximum Vertical Tongue Load (5/8" bolts) 8,000 lb.

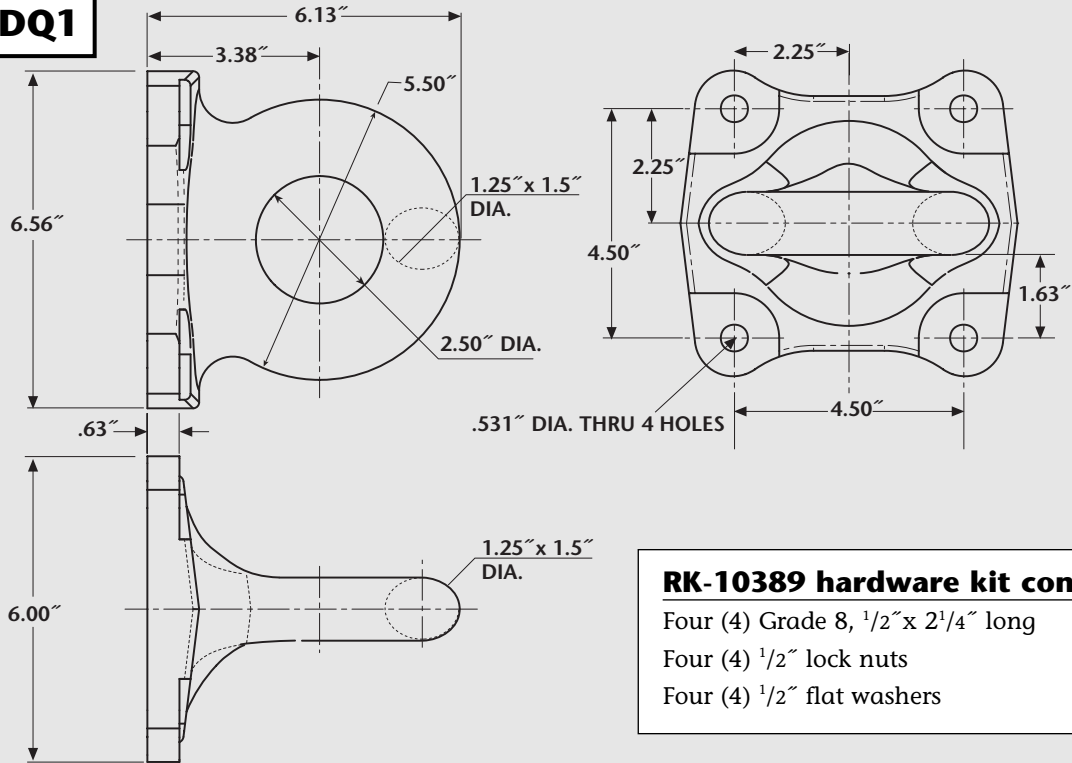
\*(Replaces DB-1250-15) Maximum Gross Trailer Weight 40,000 lb.

**NOTE:** When used for hinged tongue trailer applications where maximum vertical load cannot exceed 500 lbs., the maximum gross trailer weight is 60,000 lbs.

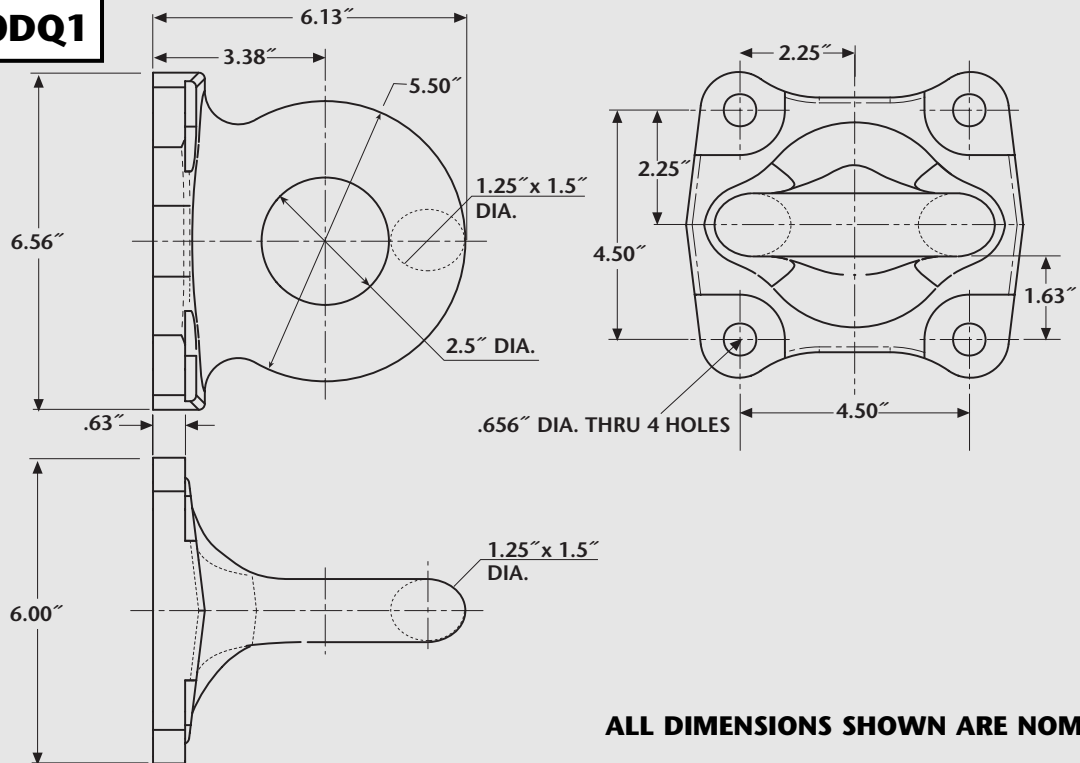
### OPERATION AND MAINTENANCE

1. Regularly inspect the drawbar for wear and damage. If wear exceeds 1/8" (.125") from the original surface profile, replace the drawbar.
2. Check the mounting fasteners for proper torque.

These products are covered by Holland's Commercial Products Warranty. Holland reserves the right, without giving prior notice, to change specifications and dimensions as designs are altered or improved.

**DB-030DQ1****RK-10389 hardware kit contains:**

- Four (4) Grade 8, 1/2" x 2 1/4" long
- Four (4) 1/2" lock nuts
- Four (4) 1/2" flat washers

**DB-040DQ1****ALL DIMENSIONS SHOWN ARE NOMINAL**

SAF-HOLLAND USA, Inc.  
888.396.6501 Fax 800.356.3929

SAF-HOLLAND Canada Limited  
519.537.3494 Fax 800.565.7753  
Western Canada  
604.574.7491 Fax 604.574.0244

SAF-HOLLAND International, Inc.  
616.396.6501 Fax 616.356.1511