

Service Tool TF-TLN-5001

Fifth Wheel Lock Adjustment Tool

For use with all 2" kingpin locks excluding FWS1 (XA-S1), FWS2 (XA-S2) and Simplex models.

1. Model Identification

Fifth wheel serial tags are located on the left side of the fifth wheel top plate above the fifth wheel bracket pin, or on the pickup ramps (**Figure 1**).

The part number and serial number are listed on the tag (**Figure 2**).

2. General Safety Instructions

Read and observe all Warning and Caution hazard alert messages in this publication. They provide information that can help prevent serious personal injury, damage to components, or both.

All fifth wheel operation and maintenance must be performed by a trained technician using proper tools and safe procedures.

NOTE: Before adjusting your Holland Fifth Wheel review the model number on the identification tag. The adjustment procedures for your fifth wheel are found in the operations manual.

IMPORTANT: You must read and understand all of the adjustment tool procedures contained in this manual before adjusting your fifth wheel.

⚠ WARNING Failure to follow all the procedures contained in this manual may cause a hazardous condition to develop which, if not avoided, may result in death or serious injury.

IMPORTANT: Prior to operation of the fifth wheel you must be thoroughly satisfied that the fifth wheel has been properly adjusted.

⚠ WARNING Failure to properly adjust the fifth wheel can adversely affect performance resulting in tractor trailer separation which, if not avoided, may result in death or serious injury.

A list of SAF-HOLLAND technical support locations to supply SAF-HOLLAND Original Parts can be found at www.safholland.us or contact our customer service group at 888-396-6501.

Updates to this manual will be published as necessary on the internet at www.safholland.us.

Figure 1

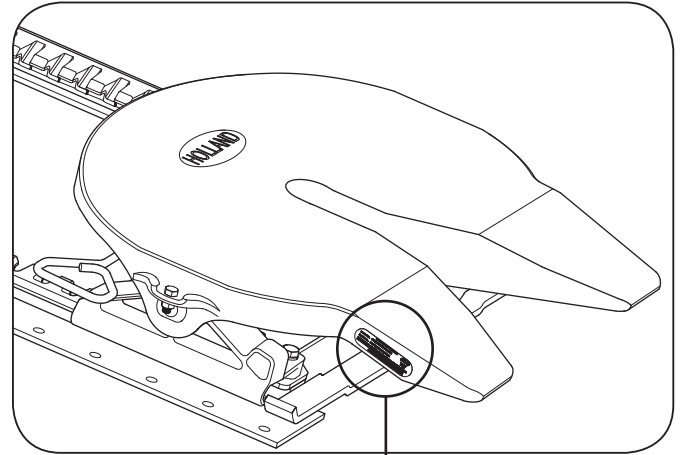
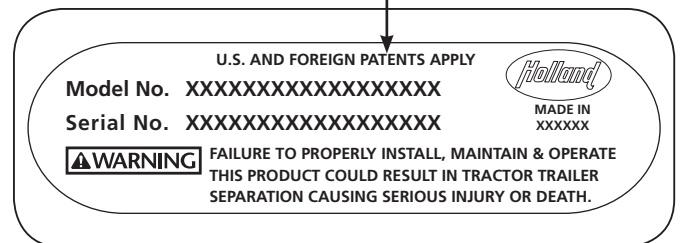


Figure 2



3. Inspection

1. Thoroughly steam clean top plate.
2. Inspect fifth wheel top plate for cracks and for loose lock pins. Fifth wheels with cracks or loose lock pins must be replaced.

⚠ WARNING Failure to replace fifth wheels with cracks or loose lock pin may result in tractor trailer separation which, if not avoided, could result in death or serious injury.

4. Lock Adjustment Tool Operation

Inserting the Tool into the Fifth Wheel

1. Pull the release handle. If locks are closed, swing open with handle pulled to full extension.

NOTE: See Owner's Manual for your specific fifth wheel.

2. Set the tool on the fifth wheel (**Figure 3**).
3. Rotate Handle to lock the fifth wheel (**Figure 4**).
4. Follow the adjustment procedures for your specific fifth wheel.

NOTE: Adjustment procedures are found in the Owner's Manual for each fifth wheel.

Removing the Tool from the Fifth Wheel

1. Push down and rotate the "J" hook under the front skirt of the fifth wheel (**Figure 5**).
2. Pull the fifth wheel release handle.

NOTE: See Owner's Manual for your specific fifth wheel.

Figure 3

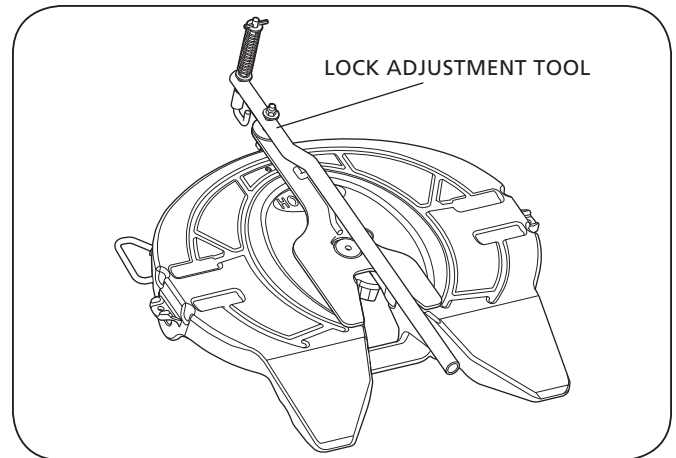


Figure 4

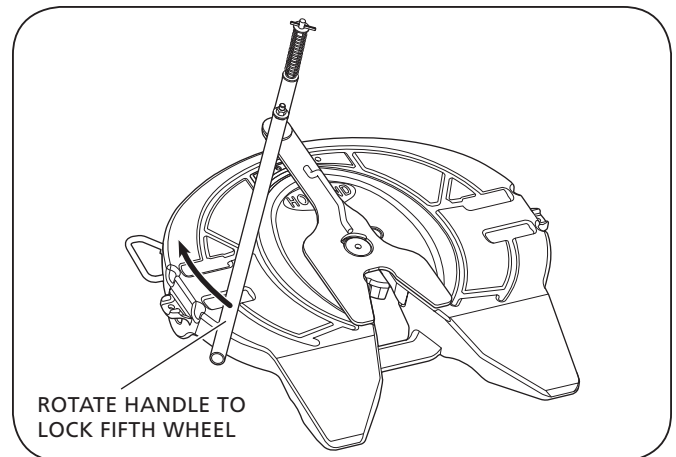
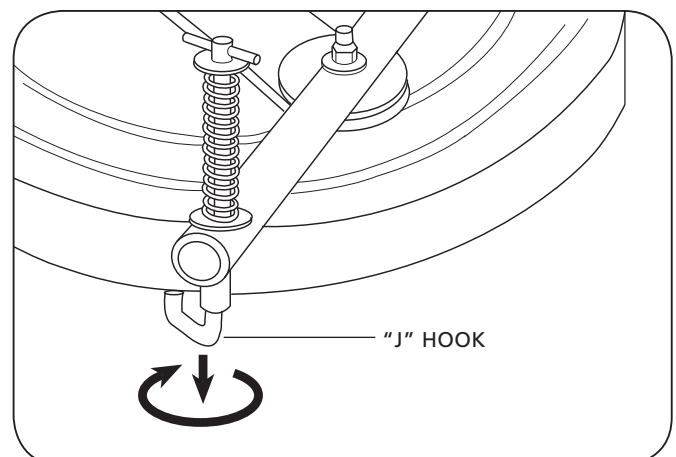


Figure 5



3. Grasp Lock Adjustment Tool handle with both hands (**Figure 6**), and unlock the fifth wheel with a quick snap rearward.
4. Unhook the "J" hook from under the front skirt and rotate the handle to the center of the tool (**Figure 7**).
5. Firmly grasp the tool with both hands (grasp the handle on plate with the rotating handle) (**Figure 8**), slide it rearward to clear the fifth wheel lock mechanism and carefully lift Lock Adjustment Tool off the fifth wheel.

Figure 6

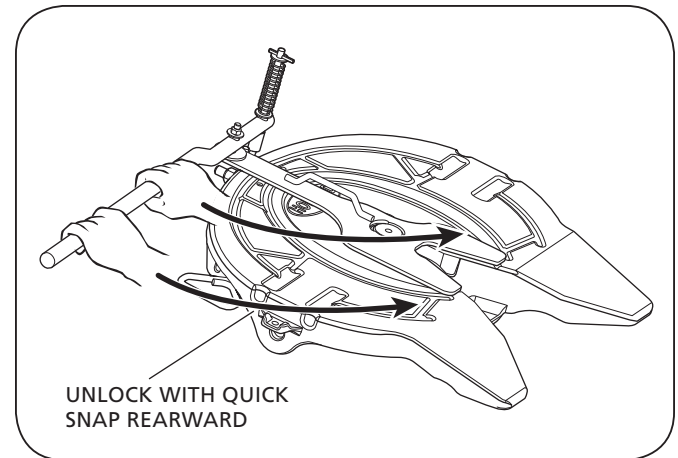


Figure 7

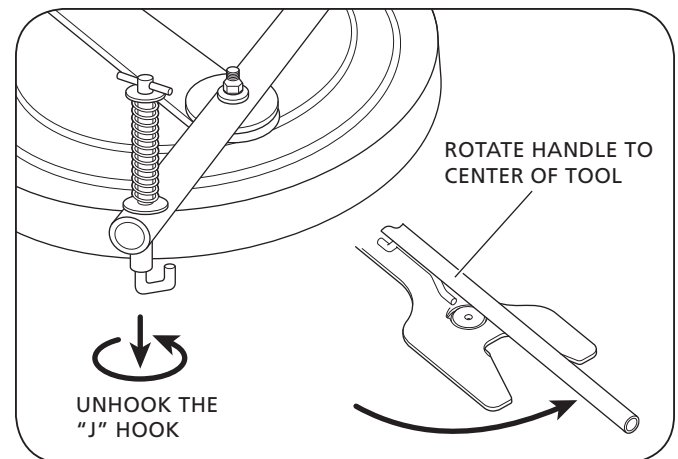
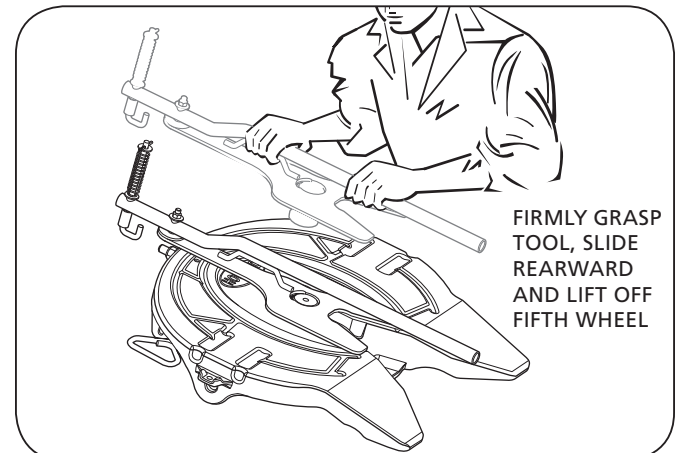


Figure 8



CAUTION Do not drop or throw the tool from the truck! Dropping or throwing the tool could result in tool damage (**Figure 9**).

IMPORTANT: The SAF-HOLLAND lock adjustment tool is not designed as a lifting device, do not use it to lift your fifth wheel (**Figure 9**).

WARNING If you try to lift your fifth wheel with the lock adjustment tool, it will break allowing the fifth wheel to fall, which if not avoided, could result in death or serious injury.

5. Maintenance and Repair Parts

Lubricate handle pivot point as needed (**Figure 10**).

Store tool in tool crib with other precision gauges.

6. Replacement Parts List

ITEM	DESCRIPTION	PART NO.	QTY.
1	Handle, S/A, Coupling	XA-08236	1
2	Nut, Lock 1/2" - 13	XB-03552	1
3	Pin, Spring, 1/4" x 2-1/4" Long	XB-21-S-250-2250	1
4	Spring	XB-08242	1
5	Washer, 1/2"	XB-T-49	3
6	J-Hook	XA-08222	1
7	Bolt, SFCHCS, 1/2" - 13 x 3" Long	XB-08246	1

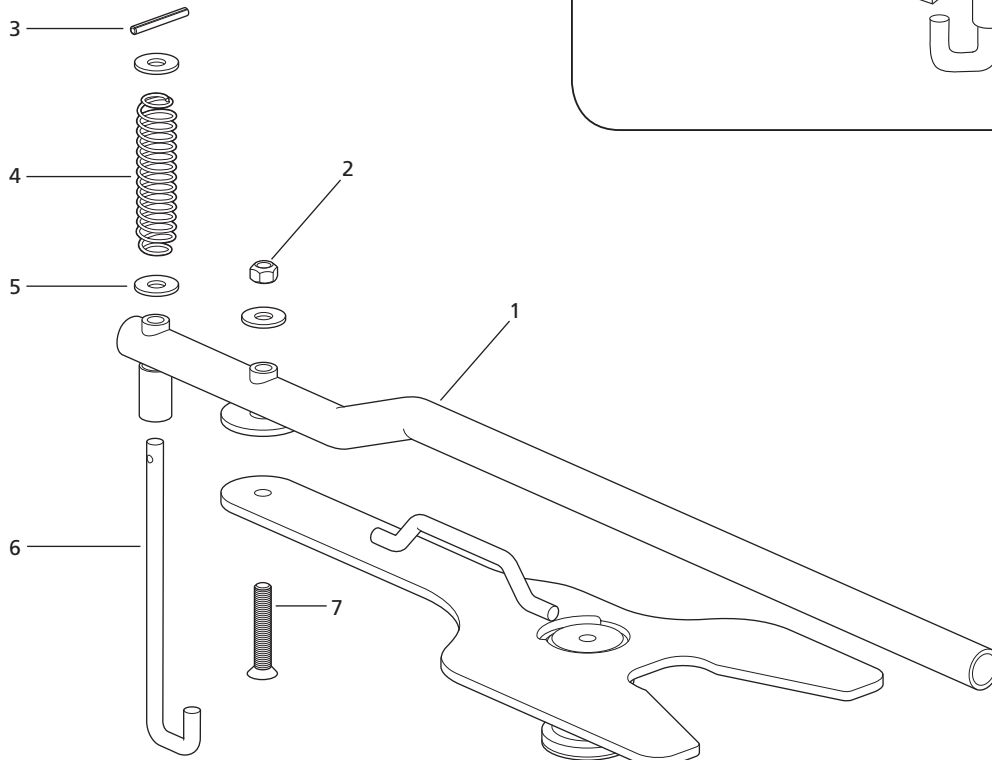


Figure #9

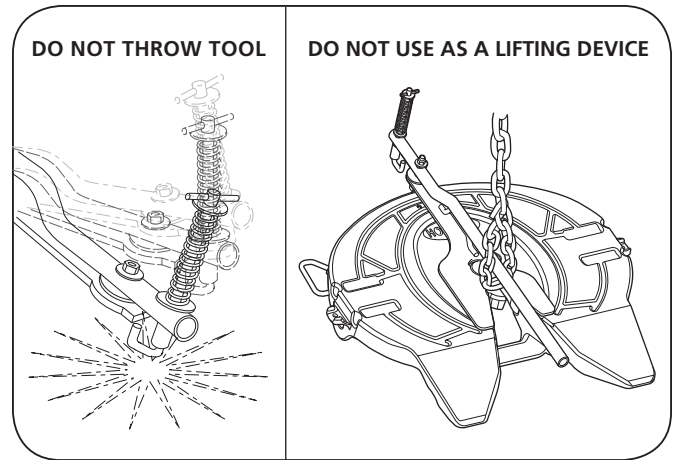


Figure 10

