



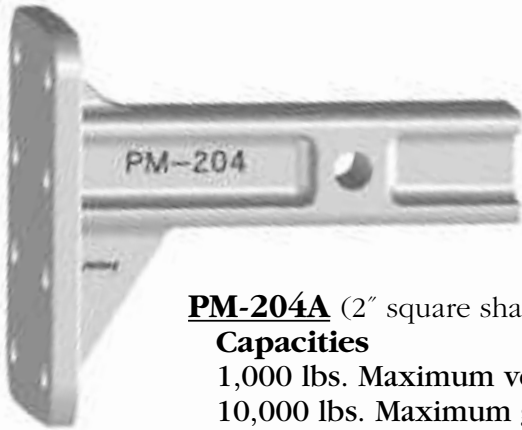
PINTLE MOUNTS

PM-204A and PM-252A SPECIFICATIONS



Receiver mounted pintle mounts*

For use with PH-10RP41, PH-T-60-AI,
PH-16-B, PH-T-60-AOL-8, PH-30 and
PH-30RP41



PM-204A (2" square shank)

Capacities

1,000 lbs. Maximum vertical load

10,000 lbs. Maximum gross trailer weight** (in accordance with SAE J684)

Tested in accordance with SAE J847 (Type D)



PM-252A (2.5" square shank)

Capacities

1,200 lbs. Maximum vertical load

12,000 lbs. Maximum gross trailer weight** (see note)

Tested in accordance with SAE J847 (Type D)

NOTE: Capacity is established by following the methodology found in SAE J684

* Patent pending

** If a higher rating is desired for your specific application, please contact Holland USA at: 1-888-396-6501

IMPORTANT SAFETY INFORMATION

Maintain adequate vertical (tongue) load to adequately control the trailer (generally 10%), but do not exceed the above rated capacities.

This equipment must not be used or maintained in a careless manner.

DURING OPERATION

1. Be sure the ball coupler or drawbar size (or rating) is compatible with the coupling device attached to the pintle mount and the receiver unit on the tow vehicle.
2. Do not damage the coupling components. Be particularly careful during coupling and uncoupling.
3. Inspect the coupling device on the tow vehicle for proper operation. Do not use any coupling device that does not operate properly.
4. Other steps and inspections are also required. Consult OSHA and D.O.T. regulations and American Trucking Association for complete coupling and uncoupling procedures. These cover items such as cargo securement, brakes, lights, safety chains and other important requirements.

GENERAL INFORMATION

1. Do not modify or add to the product.
2. Wear safety goggles during installation and removal.
3. Never strike any part of the item with a steel hammer.
4. **DO NOT** weld on this product!

⚠ WARNING The pintle mount, ball coupler/pintle hook, and receiver unit must all be sized to support the load of the towed vehicle and the rated load capacity of the towing vehicle. Failure to size properly could cause one of the above components to fail resulting in separation. This may allow the drawbar of a towed trailer to uncouple from the coupler frame. At that point, only the required safety chains will secure the trailer to the tow vehicle.

If safety chains are not being used, or if the chains malfunction—or otherwise fail to secure the trailer to the tow vehicle—there is the potential for the trailer to collide with other vehicles, causing death or serious injury.

NOTE: Use a hitch pin that can support the load that is to be towed.

IMPORTANT: It is a violation of FMCR 49CFR39371 and SAE J684 to pull anything weighing over 10,000 lbs. in a “driveaway-towaway” operation.

TOWING APPLICATIONS:

Used for trailers and equipment designed for over-the-road towing within the stated capacities. For off-road applications, reduce the above capacities by 25% Follow the instructions for the attached pintle hook.

FIGURE 1

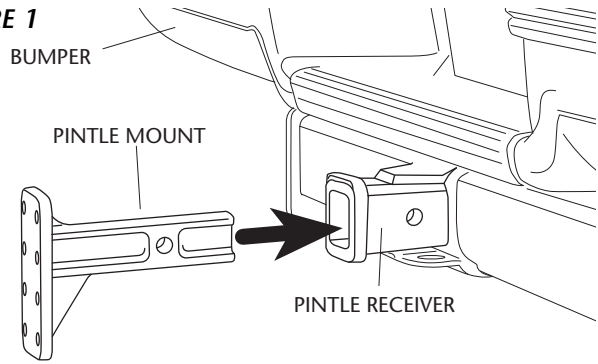


FIGURE 2

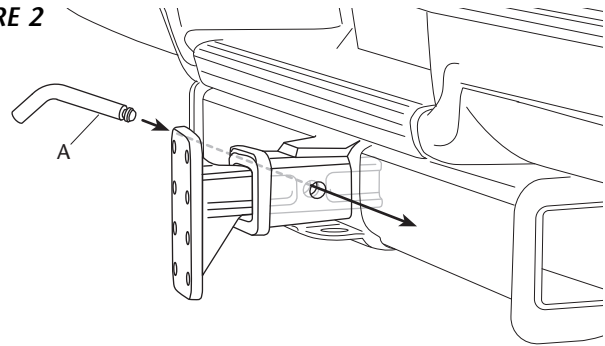
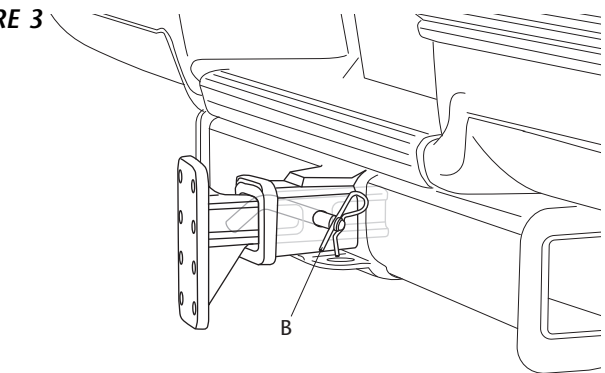


FIGURE 3



MOUNTING:

1. Insert the shank of the pintle mount into the receiver opening on the vehicle (see FIGURE 1).

IMPORTANT: The receiver must be a minimum Class 4 (10,000 lbs.) rating (see SAE J684) for use with Holland pintle hooks and mounts.

2. Align the holes in the shank and receiver (see FIGURE 2). Insert a hitch pin (A) into both holes. Secure with a hairpin clip (B) as shown in FIGURE 3.

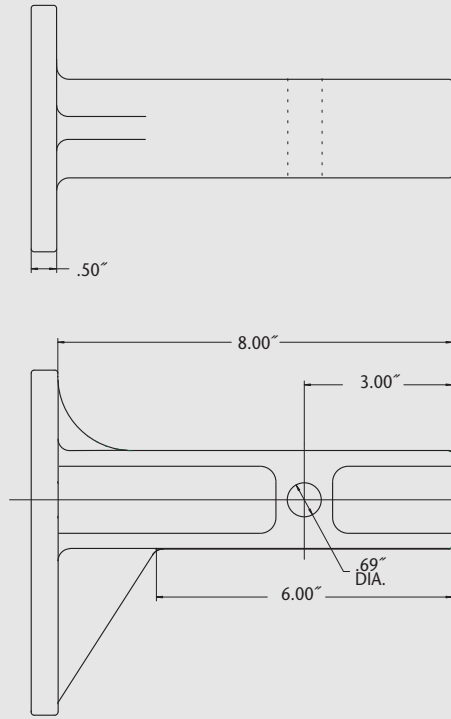
NOTE: Use a hitch pin that can support the load that is to be towed.

OPERATION AND MAINTENANCE:

1. Regularly inspect the pintle mount for wear and damage.
2. Check the mounting fasteners for proper torque.

These products are covered by Holland's Commercial Products Warranty. Holland reserves the right, without giving prior notice, to change specifications and dimensions as designs are altered or improved.

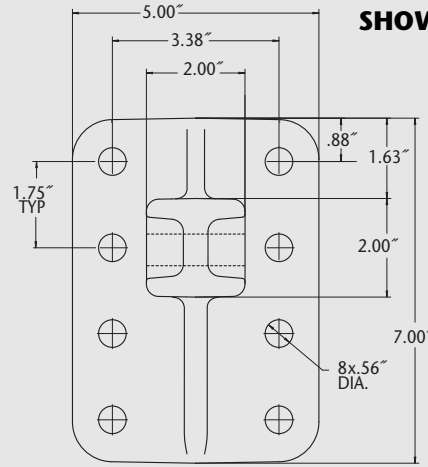
PM-204A



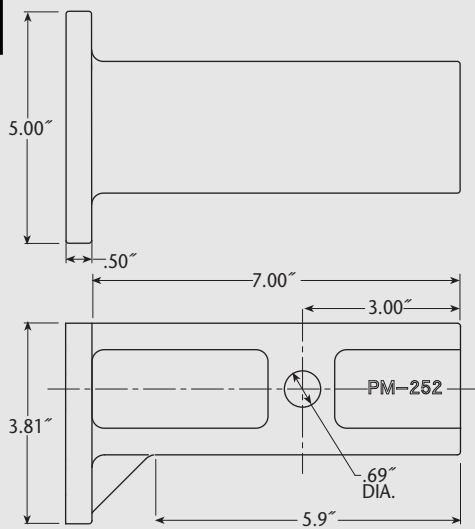
RK-10389 (optional) hardware kit contains:

- Four (4) Grade 8, 1/2" x 2 1/4" long bolts
- Four (4) 1/2" lock nuts
- Four (4) 1/2" flat washers

**ALL DIMENSIONS
SHOWN ARE NOMINAL**

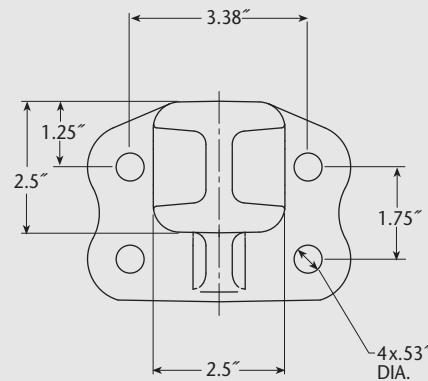


PM-252A



RK-10389 (optional) hardware kit contains:

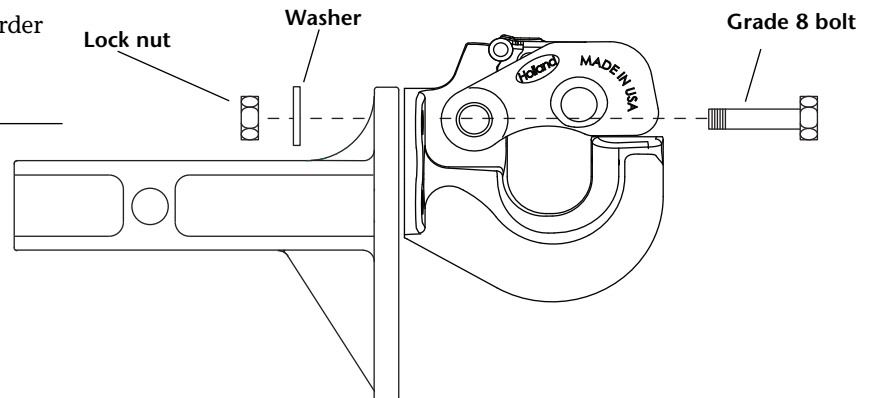
- Four (4) Grade 8, 1/2" x 2 1/4" long bolts
- Four (4) 1/2" lock nuts
- Four (4) 1/2" flat washers



ALL DIMENSIONS SHOWN ARE NOMINAL

Use part numbers PM204B and PM252B to order individually boxed pintle mounts.

TYPICAL INSTALLATION





GO THE DISTANCE.

HOLLAND USA, INC.
1950 Industrial Blvd. • P.O. Box 425
Muskegon, MI 49443-0425
Phone 888-396-6501 • Fax 800-356-3929
www.thehollandgroupinc.com

Copyright © February 2007 • The Holland Group, Inc.

Holland USA, Inc. Facilities:

Dumas, AR Muskegon, MI
Holland, MI Warrenton, MO
Monroe, NC Wylie, TX

Ph: 888-396-6501 Fax: 800-356-3929

Holland International, Inc.

Holland, MI
Phone: 616-396-6501
Fax: 616-396-1511

Holland Hitch of Canada, Ltd.

Woodstock, Ontario • Canada
Phone: 519-537-3494
Fax: 800-565-7753

Holland Equipment, Ltd.

Norwich, Ontario • Canada
Phone: 519-863-3414
Fax: 519-863-2398

Holland Hitch Western, Ltd.

Surrey, British Columbia • Canada
Phone: 604-574-7491
Fax: 604-574-0244