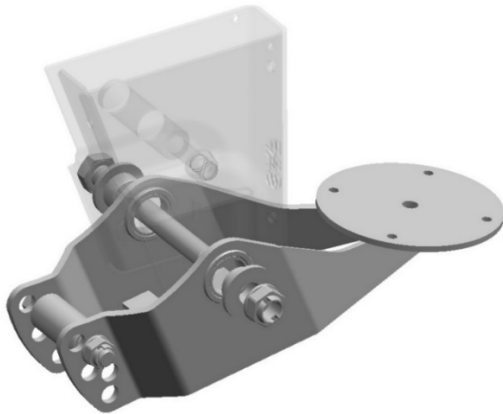


## Optimized pendulum lift for faster installation on SAF MODUL suspension systems with steel support brackets

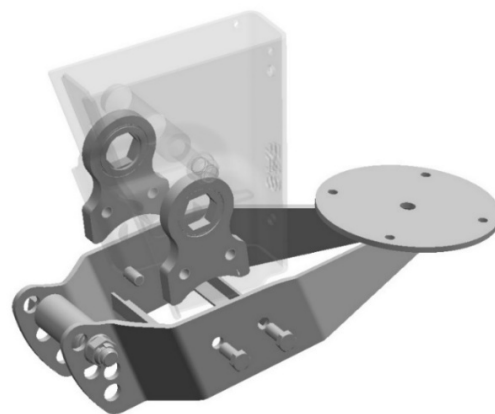
As part of ongoing product development, the pendulum lift on SAF MODUL chassis with steel support brackets has been redesigned. Standardization and an optimized installation concept have improved the ease of installation of the single-sided axle lift. With the new bolt-on axle lift, the spring seat bolt no longer needs to be replaced with a longer bolt.

### No adjustment of the adjustable pivot bolt:

The factory-installed adjustable pivot bolt remains unchanged, making retrofitting easier.



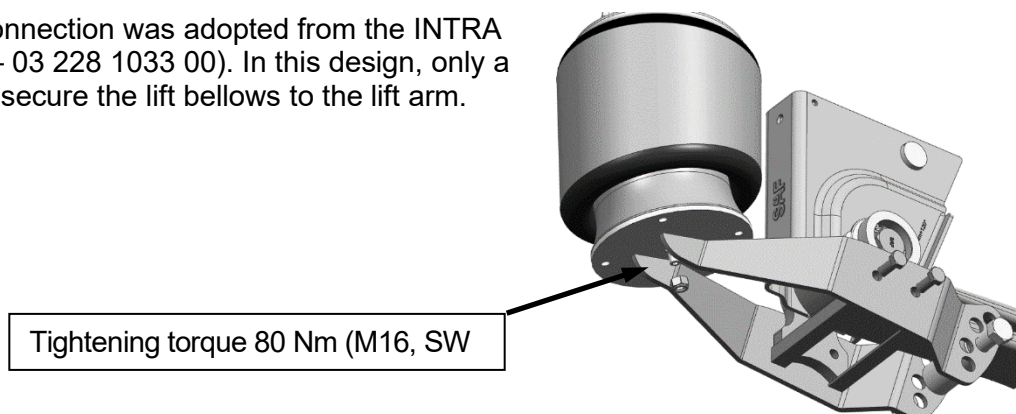
Previous order number **03 027 1269 00**



New order Number **03 027 1281 00**

### Installation of the lift bellows:

The central screw connection was adopted from the INTRA series (SAF 2619V – 03 228 1033 00). In this design, only a single nut is used to secure the lift bellows to the lift arm.



An overview of the lift bellows combination units:

Combined Group	With bellow	
<b>Air bag brackets - weld-on Height [mm]</b>	<b>2619V (Ø300 mm) – 03 228 1033 00</b>	<b>2918V (Ø350 mm) – 03 228 0027 00</b>
5 – 01 043 0261 01	03 228 2001 02	03 228 2020 00
40 – 02 237 0070 01	03 228 2002 02	03 228 2015 00
70 – 02 237 0071 01	03 228 2003 02	03 228 2016 00
<b>Air bag brackets - screw-on Height [mm]</b>		
55 – 02 237 1081 01	03 228 2025 02	
75 – 02 237 1071 01	03 228 2026 02	
<b>For suspension systems:</b>	Up to a maximum axle load of 10 tons and single tires	For axle loads of 11 tons or more and with dual tires

The specific combinations of pendulum lift and lift bellows assemblies for the suspension systems are shown in the quotation drawing. The drawing also indicates the correct mounting position for the supporting roll and the corresponding travel height range.

**The new pendulum lift with part number 03 027 1281 00 will be available starting from the week of order receipt 32/2026.**