



FW8010

FW8010 SERIES SPECIFICATIONS



Fifth Wheel

65000 kg Gross Combination Weight
20000 kg Vertical Load

Type Approval e1*94/20*0842
D-Value 150 kN

FEATURES

- Lightweight high strength cast steel construction permitted operating temperature to - 40° C
- Top surface machined to improve wear, steering and fit with Trailer Plate. Patented grease groove pattern for improved wear and durability and prepared for central lubrication system
- Forged alloy steel locks with infinite adjustment
- Operating handle fitted with automatic secondary locking device, eliminating the need for a clip and chain
- Suitable for all types of rear axle steering



WARNING

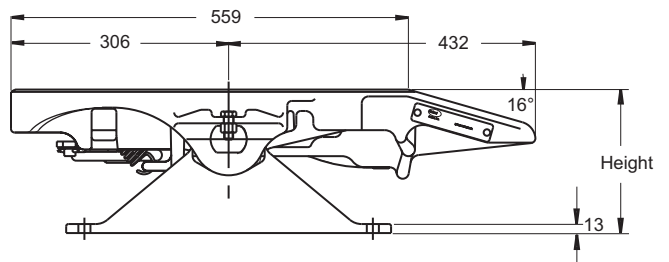
Mounting must be carried out in accordance with Holland instructions



WARNING

The load limits given are valid for operation on paved roads and under conditions prevailing in Europe. For alternative conditions please consult Holland

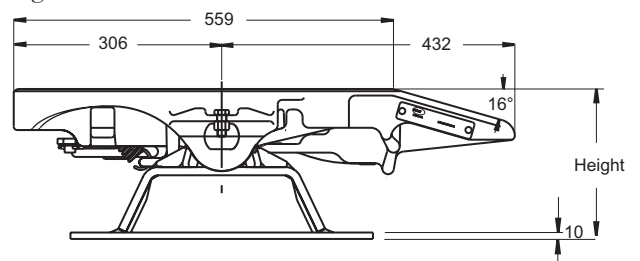
ISO BRACKET MOUNTING



Part Number	Height	Weight
FW8010-150	150mm	125 kg
FW8010-180	180mm	129 kg
FW8010-200	200mm	132 kg

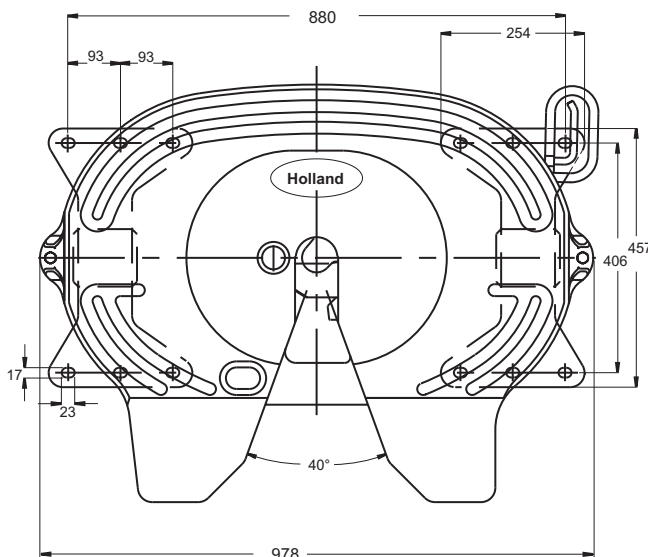
WEIGHTSAVER MOUNTING

Combined mounting brackets and mounting plate resulting in weight reduction and easier installation



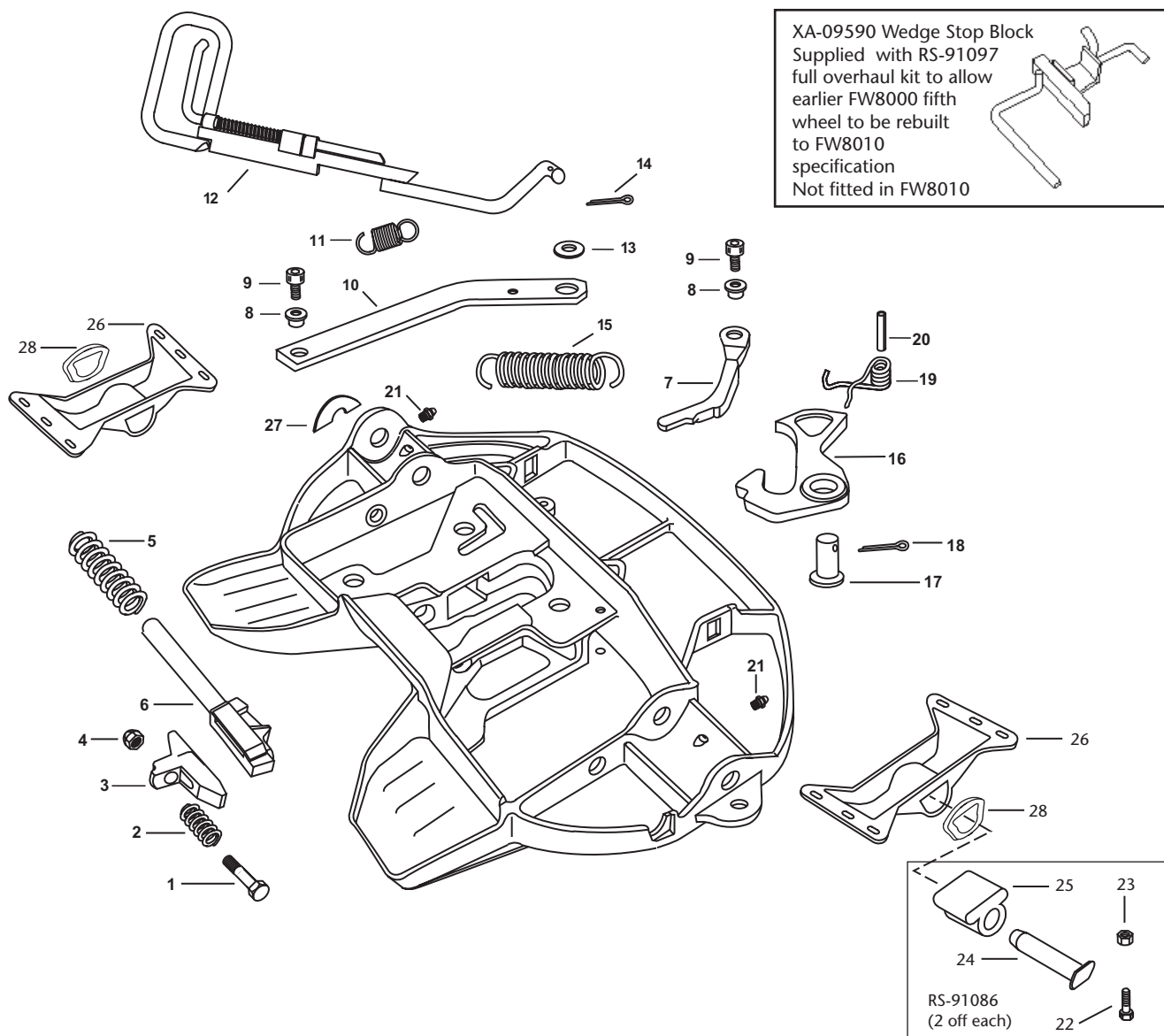
Part Number	Height	Weight
FW8010-140	140mm	148 kg
FW8010-160	160mm	150 kg
FW8010-190	190mm	153 kg
FW8010-230	230mm	156 kg

ISO mounting version shown



Holland reserves the right, without prior notice, to change specifications and dimensions

FW8010 FIFTH WHEEL - SPARE PARTS



Item	Part No.	Qty	Description	Item	Part No.	Qty	Description
1	* ^ XB-06329-1	1	Adjustment Bolt	16	* ^ XA-09416-KTL	1	Swinging Lock
2	* XB-09495-KTL	1	Spring	17	* ^ XA-06344-KTL	1	Lock Pin
3	* XD-06328	1	Adjusting Wedge	18	* ^ XB-5	1	Cotter Pin
4	* ^ XB-06179-2	1	Locknut	19	* XB-08764-KTL	1	Lock Return Torsion Spring
5	* ^ XB-06330	1	Plunger Spring	20	* XB-21-S-500-2750	1	Roll Pin
6	* ^ XA-09417-1-KTL	1	Locking Plunger	21	* 38009	2	Grease Fitting
7	* XE-09415-KTL	1	Cam Arm	22	31041	2	Bolt
8	* XA-08162	2	Roller	23	32001	2	Locknut
9	* XB-08558	2	Screw	24	XE-06356-KTL	2	Bracket Pin
10	* XA-09580-KTL	1	Release Arm	25	XB-0011-3	2	Rubber Cushion
11	* XB-09654	1	Spring (Release Handle)	26	XD-04942-KTL	2	ISO Bracket - 150mm
12	* XA-09460	1	Release Handle		XD-04943-KTL	2	ISO Bracket - 180mm
13	* XB-PAW-M17-Z	1	Washer		XD-04944-KTL	2	ISO Bracket - 200mm
14	* 33005	1	Cotter Pin	27	XB-07610	1	Tag
15	* XB-09581-KTL	1	Spring (Release Arm)	28	XB-60144	2	# Rubber Washer
*	RS-91097		Full Overhaul Kit				# With ISO brackets only
^	RS-91099		Lock Repair Kit				
	RS-91086		Cushion Kit				



SAF-HOLLAND GmbH
 Hauptstraße 26
 D-63856 Bessenbach, Germany
 Phone: +49 (0) 6095-301302
 Fax: +49 (0) 6095-301200

HOLLAND EUROHITCH Ltd.
 Hoo Farm Ind. Est. Worcester Rd.
 Kidderminster, Worcs. DY11 7RA, UK
 Phone: +44 (0) 1562-732010
 Fax: +44 (0) 1562-732020

HOLLAND EUROPE GmbH
 Altenkamp 9, D-33758
 Schloss Holte-Stukenbrock, Germany
 Phone: +49 (0) 5207-89560
 Fax: +49 (0) 5207-895656