



EH SERIES

EH SERIES SPECIFICATIONS



Landing Gear

72000 kg Static Load

27000 kg Lifting Capacity

Heavy Duty Landing Gear

Weight from 100 kg per set

FEATURES

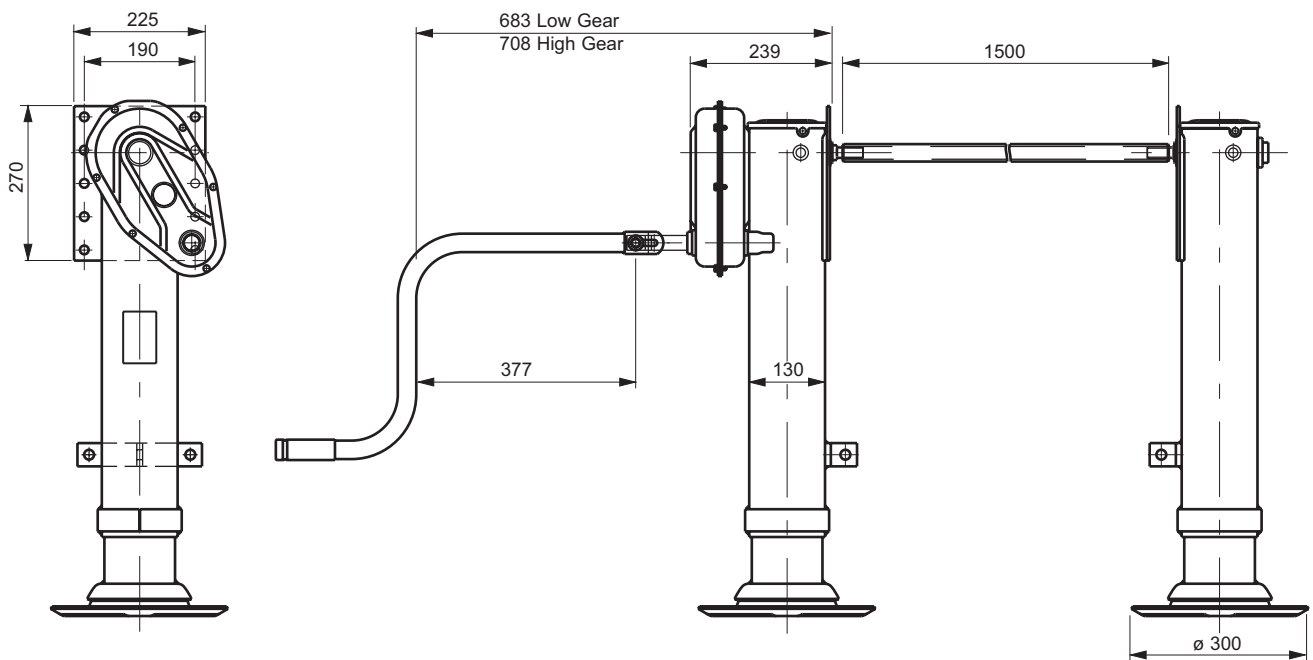
- Robust design for the most demanding applications
- 3 shaft heavy duty gearbox for smooth and efficient operation
- Standard low maintenance design
- Available in six standard travel lengths and with five alternative footgroups
- Standard DIN-Mounting plate, special mounting plates available on request



WARNING

Mounting must be carried out in accordance with Holland instructions

DIMENSIONS



Lift per one revolution of handle :

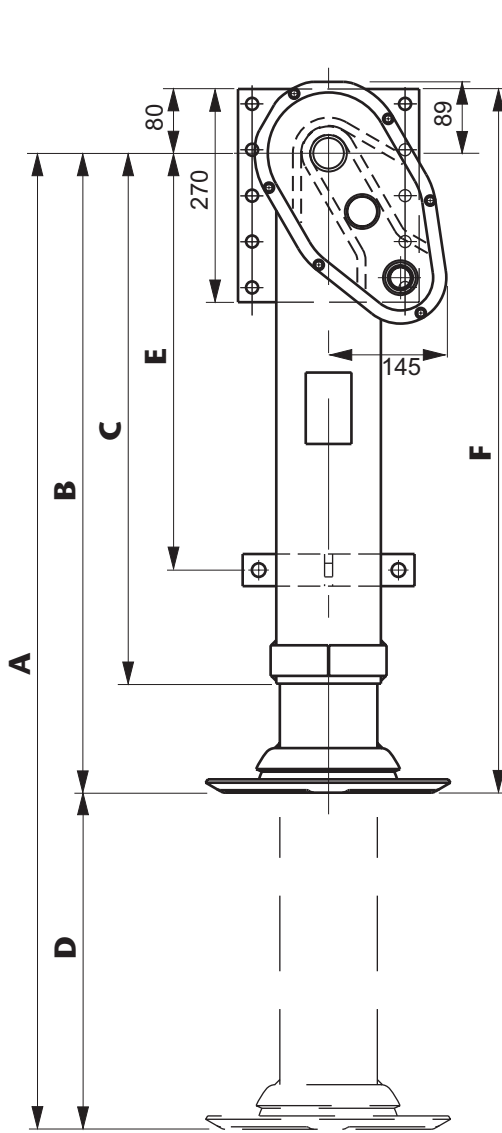
Low Gear	0.8mm
High Gear	10.5mm

Crank force per handle :

at 20t Lifting Capacity	30 kg
at 27t Lifting Capacity	37 kg

Holland reserves the right, without prior notice, to change specifications and dimensions.

EH SERIES LANDING GEAR - DIMENSION TABLE

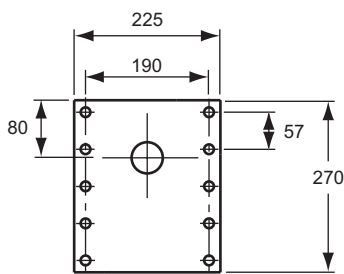


	A	B	C	D	E	F	
Self Level Foot							
EH-00001	940	622	564	318	423	695	
EH-10001	1062	719	584	343	443	792	
EH-20001	1138	757	622	381	481	830	
EH-30001	1214	795	660	419	519	868	
EH-40001	1272	824	689	447	547	897	
EH-50001	1329	852	716	476	575	925	
Wheel							
EH-00103	947	709	564	239	423	782	
EH-10103	1072	729	584	343	443	802	
EH-20103	1148	767	622	381	481	840	
EH-30103	1224	805	660	419	519	878	
EH-40103	1281	834	689	447	547	907	
EH-50103	1338	862	716	476	575	935	
Skid Foot							
EH-00105	957	718	564	239	423	791	
EH-10105	1081	738	584	343	443	811	
EH-20105	1158	777	622	381	481	850	
EH-30105	1234	815	660	419	519	888	
EH-40105	1291	843	689	447	547	916	
EH-50105	1348	872	716	476	575	945	
Rocking Foot							
EH-00107	990	751	564	239	423	824	
EH-10107	1114	771	584	343	443	844	
EH-20107	1190	810	622	381	481	883	
EH-30107	1266	847	660	419	519	920	
EH-40107	1323	876	689	447	547	949	
EH-50107	1380	904	716	476	575	977	
Kompensating Foot							
EH-00109	996	727	564	239	423	800	
EH-10109	1088	745	584	343	443	818	
EH-20109	1164	783	622	381	481	856	
EH-30109	1240	821	660	419	519	894	
EH-40109	1298	851	688	447	547	924	
EH-50109	1354	879	716	475	575	952	

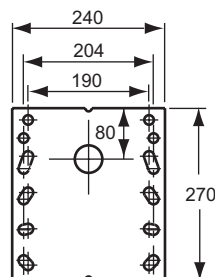
MOUNTING PLATE

To complete part number add suffix to indicate type of mounting plate required
For example EH-50107-D for DIN standard mounting plate

DIN Standard Mounting Plate
Part Number Suffix -D

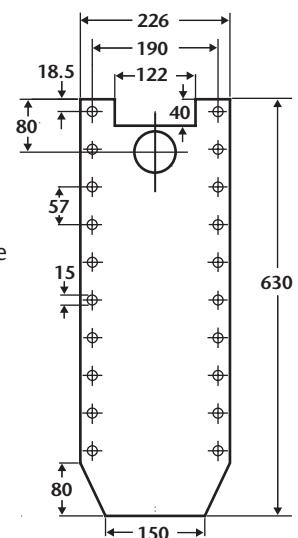


Universal Mounting Plate
Part Number Suffix -U



Full Length
Mounting Plate

Part Number
Suffix -W



Special mounting plates available on request - contact Holland with your requirements



SAF-HOLLAND GmbH
Hauptstraße 26
D-63856 Bessenbach, Germany
Phone: +49 (0) 6095-301302
Fax: +49 (0) 6095-301200

HOLLAND EUROHITCH Ltd.
Hoo Farm Ind. Est. Worcester Rd.
Kidderminster, Worcs. DY11 7RA, UK
Phone: +44 (0) 1562-732010
Fax: +44 (0) 1562-732020

HOLLAND EUROPE GmbH
Altenkamp 9, D-33758
Schloss Holte-Stukenbrock, Germany
Phone: +49 (0) 5207-89560
Fax: +49 (0) 5207-895656