



LGE

SERIES

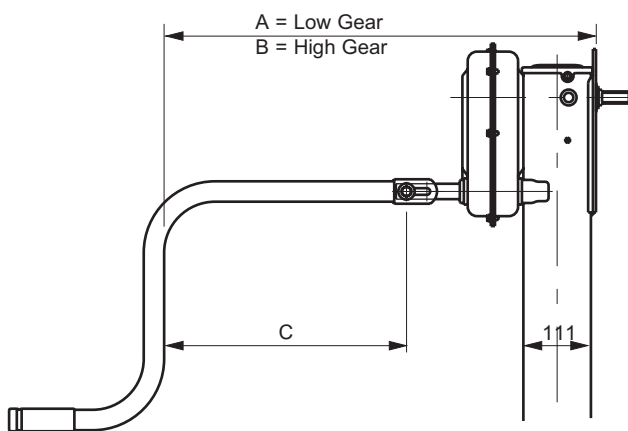
LGE SERIES SPARES AND ACCESSORIES



Landing Gear

Spare parts lists and accessories for LGE series landing gear

HANDLES

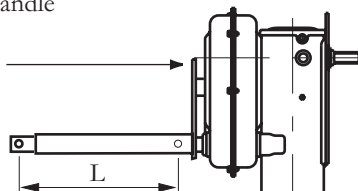


| Part Number | A | B | C |
|----------------------|-----|-----|-----|
| XA-S04475 (standard) | 664 | 689 | 377 |
| XA-03679 | 506 | 531 | 219 |
| XA-03694 | 569 | 594 | 282 |
| XA-S04475-100 | 764 | 789 | 477 |
| XA-S04475-200 | 864 | 889 | 577 |

HANDLE EXTENSION SYSTEMS

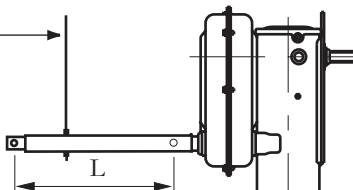
Can be used with any of above the handles to extend the operating length of the handle

Gearbox Mounted Type



RK-V-1997-1 length of extension (L) = 394mm
 RK-V-1997-2 length of extension (L) = 226mm

With Separate Hanger for attachment to trailer or body frame



RK-V-1997-3 length of extension (L) = 394mm

SINGLE LEGS

Part numbers for individual landing legs :

Gearbox leg only - XA-S8-5E109-D
 Single speed leg only - XA-S9-
 Length code
 Footgroup
 Mounting Plate

Examples:

Gearbox leg for LGE-5103-U - XA-S8-5E103-U

Single speed leg for LGE-2107-D - XA-S9-2E107-D

FOOT KITS

Footgroup kits contain all parts for one leg :
 1 x foot, 1 x axle, 2 x roll pins.
 (plus 4 x springs for 109 foot.)

| Kit Part No. | Footgroup |
|--------------|--------------------|
| RK-E-103 | 103 (wheels) |
| RK-E-105 | 105 (skidfoot) |
| RK-E-107 | 107 (rocking foot) |
| RK-E-109 | 109 (kompensator) |

Foot kit not available for 001 self level foot

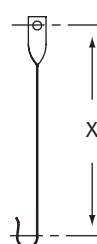
CROSS SHAFTS

Standard cross shaft XA-E-1910 length 1500mm
 Long cross shaft XA-E-1910-1800 length 1800mm

For intermediate lengths use 1800mm shaft and cut to length

CRANK HANGERS

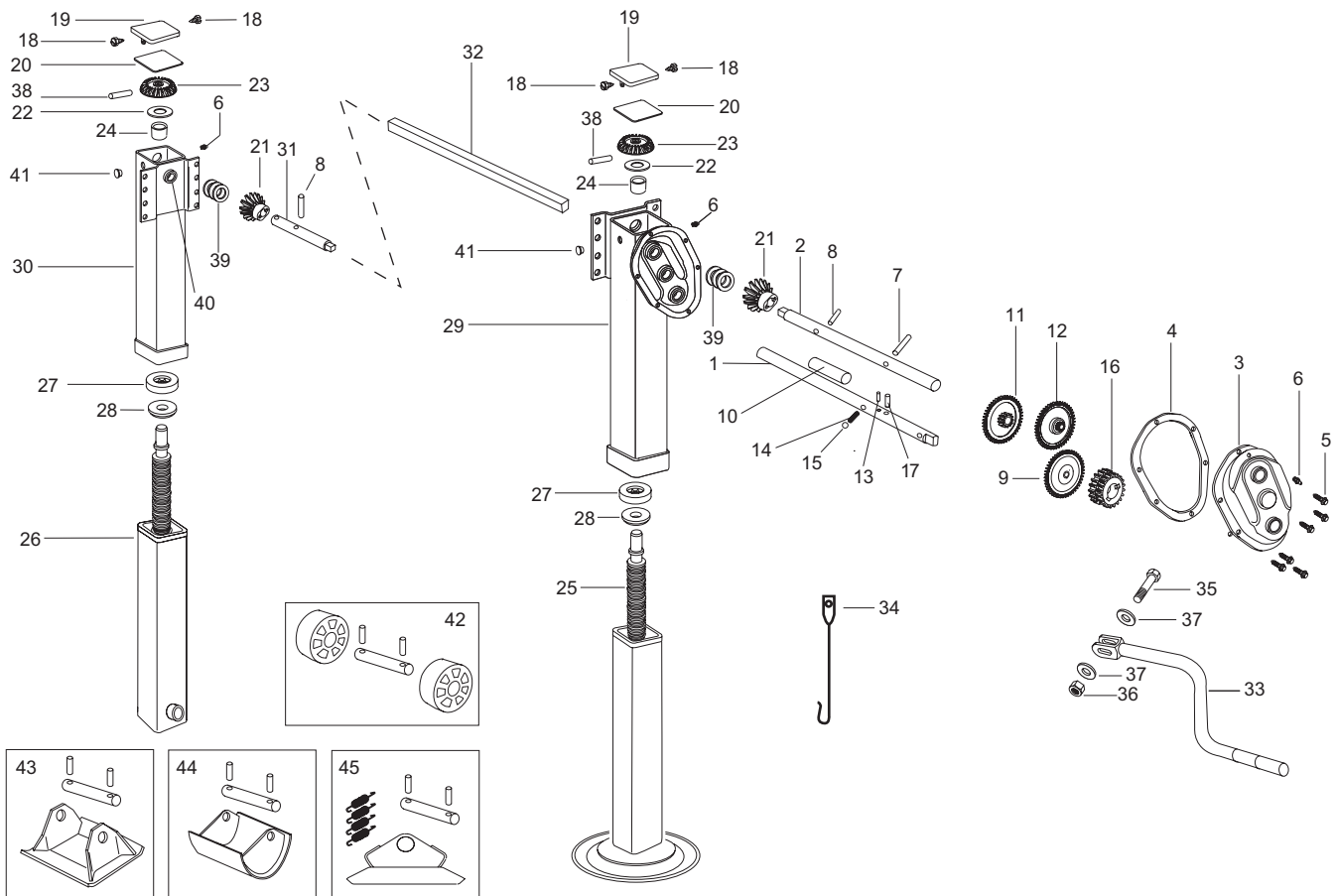
Standard Hanger XA-60024 X = 360mm
 Short Hanger XA-60024-KR X = 240mm



Weld on Hanger
 XA-V-1914

Holland reserves the right, without prior notice, to change specifications and dimensions

LGE SERIES LANDING GEAR - SPARE PARTS



| Item | Part No. | G.box | S.Speed | Description | Item | Part No. | G.box | S.Speed | Description |
|------|-----------------------|-------|---------|------------------------|--|---------------------|-------|---------|--------------------------|
| 1 | * XA-E-06625-C | 1 | | Drive and Gear Shaft | 30 | ~ XA-V-07132-TABL ~ | | 1 | Single Speed Outer Leg |
| 2 | * XA-E-06624-D-L | 1 | | Drive Gear Shaft | 31 | XA-E-06623-D-L | | 1 | Bevel Gear Shaft |
| 3 | * XA-V-06618-1 | 1 | | Gearbox Cover | 32 | XA-E-1910 | | | Cross Shaft (1500mm) |
| 4 | * XB-V-06621 | 1 | | Gasket | 33 | XA-S04475 | 1 | | Handle (standard) |
| 5 | * XB-06372 | 6 | | Screw | 34 | XA-60024 | 1 | | Crank Hanger |
| 6 | * ^ 38025 | 2 | 1 | Lube Fitting | 35 | 31033 | 1 | | Screw |
| 7 | * XA-CRP-V-06634 | 1 | | Groove Pin | 36 | 32024 | 1 | | Nut |
| 8 | * ^ XB-GP-38-1-12-E | 1 | 1 | Pin | 37 | 33023 | 2 | | Washer |
| 9 | * XA-V-06602 | 1 | | Idler Gear | 38 | ^ XA-CRP-V-06635 | 1 | 1 | Pin |
| 10 | * XA-V-07085 | 1 | | Idler Gear Shaft | 39 | ^ XB-03816 | 3 | 3 | Shim (as required) |
| 11 | * XA-V-06606 | 1 | | Step Gear | 40 | XB-LG0559 | 1 | 1 | Bearing |
| 12 | * XA-V-06603 | 1 | | Step Gear | 41 | ^ XB-01789 | 1 | 1 | Lube Plug |
| 13 | * ^ XB-21-S-218-1500 | 1 | | Pin | 42 | RK-E-103 | 1 | 1 | Wheel Kit, incl. : |
| 14 | * ^ XB-SPG-020-02 | 1 | | Spring | | XB-V-747 | 2 | 2 | Wheel |
| 15 | * ^ XB-BAL-023-01 | 1 | | Ball | | XA-E-1901-2 | 1 | 1 | Axle |
| 16 | * XA-V-06604-1 | 1 | | Shifter Gear | | 34011 | 2 | 2 | Spiral Pin |
| 17 | * ^ XA-CRP-V-06633 | 1 | | Pin | 43 | RK-E-105 | 1 | 1 | Skidfoot Kit, incl. : |
| 18 | XB-06372 | 2 | 2 | Screw | | XA-V-796-B-1 | 1 | 1 | Skidfoot |
| 19 | XA-V-06611L | 1 | 1 | Upper Leg Cover | | XA-E-1901-1 | 1 | 1 | Axle |
| 20 | ^ XB-V-07054-L | 1 | 1 | Gasket | | 34011 | 2 | 2 | Spiral Pin |
| 21 | ^ XA-V-06600-L | 1 | 1 | Bevel Pinion | 44 | RK-E-107 | 1 | 1 | Rocker Foot Kit, incl. : |
| 22 | ^ XB-V-06632 | 1 | 1 | Washer | | 47359 | 1 | 1 | Rocker Foot |
| 23 | ^ XA-V-06601-L | 1 | 1 | Bevel Gear | | XA-E-1901-1 | 1 | 1 | Axle |
| 24 | ^ XB-V-06630 | 1 | 1 | Bushing | | 34011 | 2 | 2 | Spiral Pin |
| 25 | ~ XA-V-06628-TAB-1L ~ | 1 | 1 | Inner Leg Assembly | 45 | RK-E-109 | 1 | 1 | Kompensator Foot Kit : |
| 26 | ~ XA-V-06628-TAB-0L ~ | 1 | 1 | Inner Leg Assembly | | XA-60060 | 1 | 1 | Kompensator Foot |
| 27 | ^ XB-V-647 | 1 | 1 | Thrust Bearing | | XA-E-1901-1 | 1 | 1 | Axle |
| 28 | ^ XA-V-06629-L | 1 | 1 | Thrust Plate | | 34011 | 2 | 2 | Spiral Pin |
| 29 | ~ XA-V-07133-TABL ~ | 1 | | Gearbox Outer Leg Assy | | XB-60066 | 4 | 4 | Spring |
| * | RS-91075 | 1 | | Gearbox Repair Kit | ~ Replace 'TAB' with length code of leg required | | | | |
| ^ | RS-91071 | 1 | 1 | Leg Repair Kit | | | | | |



SAF-HOLLAND GmbH
 Hauptstraße 26
 D-63856 Bessenbach, Germany
 Phone: +49 (0) 6095-301302
 Fax: +49 (0) 6095-301200

HOLLAND EUROHITCH Ltd.
 Hoo Farm Ind. Est. Worcester Rd.
 Kidderminster, Worcs. DY11 7RA, UK
 Phone: +44 (0) 1562-732010
 Fax: +44 (0) 1562-732020

HOLLAND EUROPE GmbH
 Altenkamp 9, D-33758
 Schloss Holte-Stukenbrock, Germany
 Phone: +49 (0) 5207-89560
 Fax: +49 (0) 5207-895656

Copyright © October 2007-SAF-HOLLAND. All information contained in this document is correct at time of copyright and is subject to change without notification all rights reserved