



MEGA SERIES

MEGA SERIES SPECIFICATIONS



Landing Gear

55000 kg Static Load

27000 kg Lifting Capacity

Optimized Height to Lift Ratio for High Volume Trailers with Low Frame Height in General Transport Applications
Weight from 100 kg per set

FEATURES

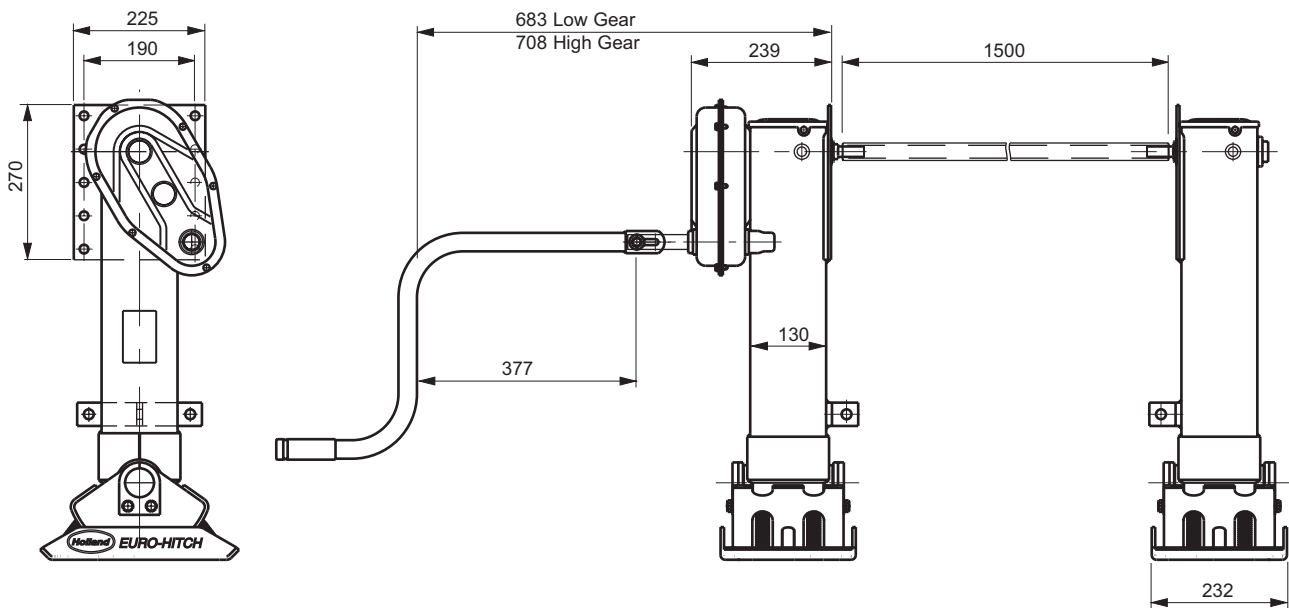
- Robust design with 130 mm outer tube
- 3 shaft heavy duty gearbox for smooth and efficient operation
- Standard low maintenance design
- With Kompensating as standard, other footgroups also available on request
- Standard DIN-Mounting plate, special mounting plates available on request



WARNING

Mounting must be carried out in accordance with Holland instructions

DIMENSIONS



Lift per one revolution of handle :

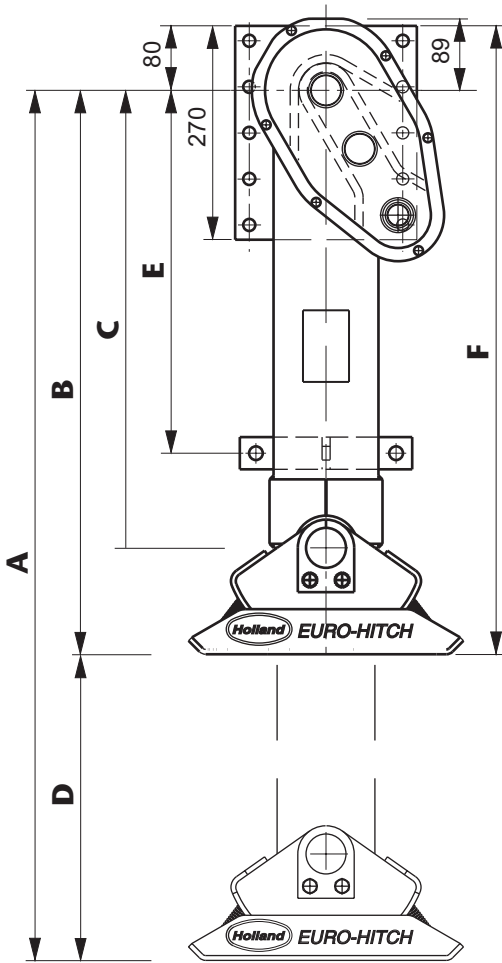
Low Gear	0.8mm
High Gear	10.5mm

Crank force per handle :

at 20t Lifting Capacity	30 kg
at 27t Lifting Capacity	37 kg

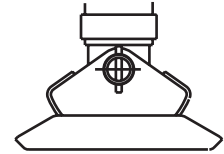
Holland reserves the right, without prior notice, to change specifications and dimensions.

MEGA SERIES LANDING GEAR - DIMENSION TABLE



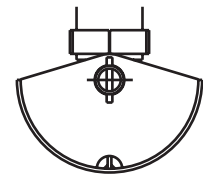
	A	B	C	D	E	F
Kompensating Foot						
ML-1109 *	1000	660	528	340	410	740
ML-2109	1080	700	568	380	450	780
ML-3109 *	1180	750	618	430	500	830

* on request



	A	B	C	D	E	F
Rocking Foot						
ML-1107 *	1025	685	528	340	410	765
ML-2107 *	1105	725	568	380	450	805
ML-3107 *	1205	775	618	430	500	855

* on request

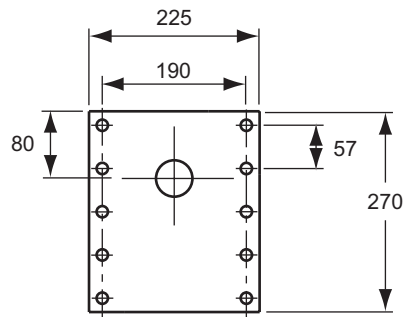


MOUNTING PLATE

To complete part number add suffix to indicate type of mounting plate required
For example ML-2107-D for DIN standard mounting plate

DIN Standard
Mounting Plate

Part Number
Suffix -D



Special mounting plates
available on request.
Contact Holland with
your requirements



SAF-HOLLAND GmbH
Hauptstraße 26
D-63856 Bessenbach, Germany
Phone: +49 (0) 6095-301302
Fax: +49 (0) 6095-301200

HOLLAND EUROHITCH Ltd.
Hoo Farm Ind. Est. Worcester Rd.
Kidderminster, Worcs. DY11 7RA, UK
Phone: +44 (0) 1562-732010
Fax: +44 (0) 1562-732020

HOLLAND EUROPE GmbH
Altenkamp 9, D-33758
Schloss Holte-Stukenbrock, Germany
Phone: +49 (0) 5207-89560
Fax: +49 (0) 5207-895656