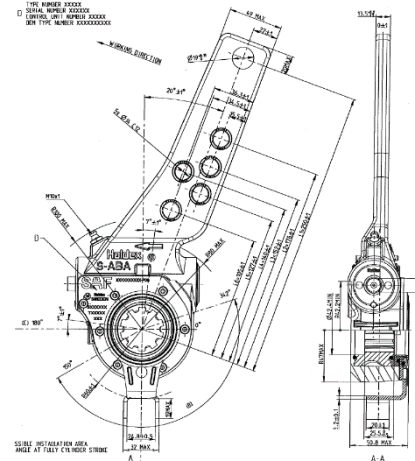


Introduction of the Haldex S-ABA self-setting automatic slack adjuster

From the beginning of April 2017, SAF-HOLLAND will be converting **all** fully automatic slack-adjusters for use in the **SAF INTRADRUM rigid axle** from the SAF slack adjuster used up to now to the Haldex S-ABA.



From April 2017, it will be fitted as standard on the INTRADRUM drum brake SNK 420x180, offering the following features:

- Automatic adjustment of the brake to compensate for wear to the brake linings
- Readjustment of the brake with constant clearance towards the drum in order to ensure optimum braking effectiveness.
- The working principle is applicable on all markets with drum brakes.

Please note that it is not permissible to combine HALDEX S-ABA and SAF slack adjusters on one axle. The **conversion** of the slack-adjusters must **always be carried out in pairs**.

The slack-adjuster used up to now continues to be available to the customer for the time being as an option.

Please note:

Both slack-adjusters are already included in the brake test reports.

Component article no. code	Brake	Brake test report	Slack-adjuster type	Model	Confirmation	Extension	Test report
04 175 0374 00	SNK 420x180	TDB0381	SAF6Y5	P06	110159	--	GS0037.0
		TDB0483			110158	--	GS0038.0
04 175 0314 00	SNK 420x180	TDB0381	HALDEX S-ABA	SAFXXXX XXXXXX-P06		--	GS0014.2
		TDB0483			110304	--	GS0015.2