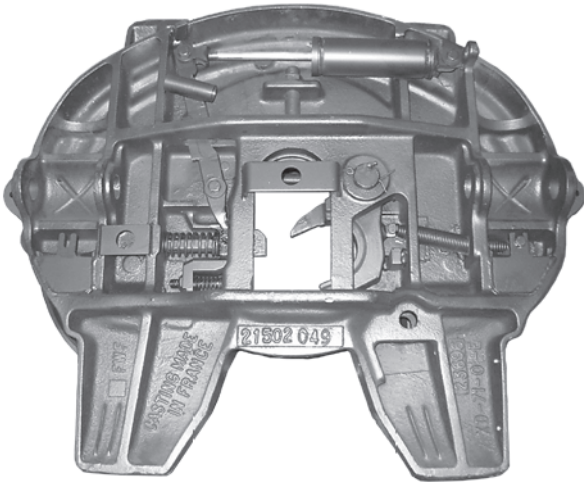




FWOE70-T

FWOE70-T SPECIFICATIONS



Heavy Duty Fifth Wheel for Terminal Tractors
120000 Kg Gross Combination Weight (3.5")
45000 Kg Vertical Load

FEATURES

- High strength cast steel construction - permitted operating temperature to - 40 degrees C
- Top surface machined to improve wear, steering and fit with Trailer Plate. Patented grease groove pattern for improved wear and durability
- Air operated lock release mechanism
- Can be uprated for operation at Gross Combination weight above 120000 kg subject to operating conditions and further limitations - contact Holland with your requirements

SPECIFICATION

Part Number	Weight	GCW	Vertical Load	Max. Speed
FWOE70-03-T*	148 kg	120000 kg	45000 kg	35 km/h

* Standard version for 3.5" king pin

Version for 2" pin available (Part No. FWOE70-02-T)
Contact Holland for details



WARNING

Mounting must be carried out in accordance with Holland instructions

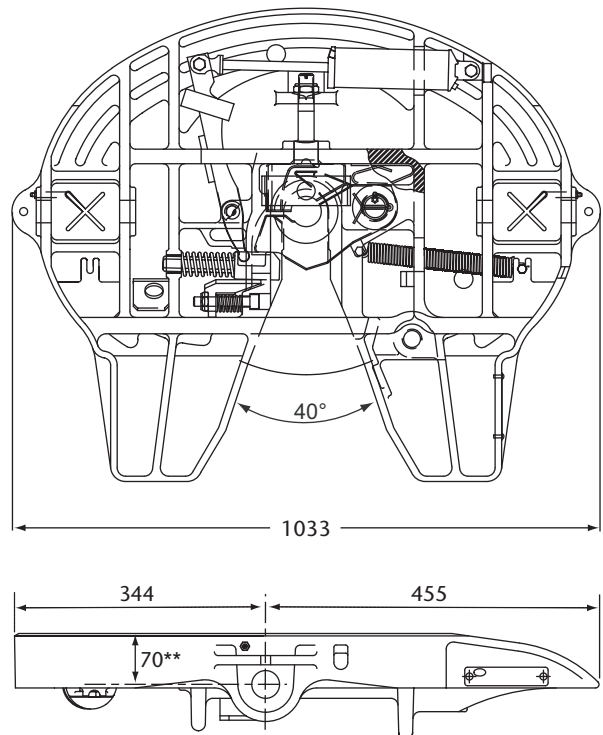


WARNING

The load limits given are valid for operation with speed limited to 35 km/h maximum and for use on well maintained roadways and yards within distribution depots and dockyard areas

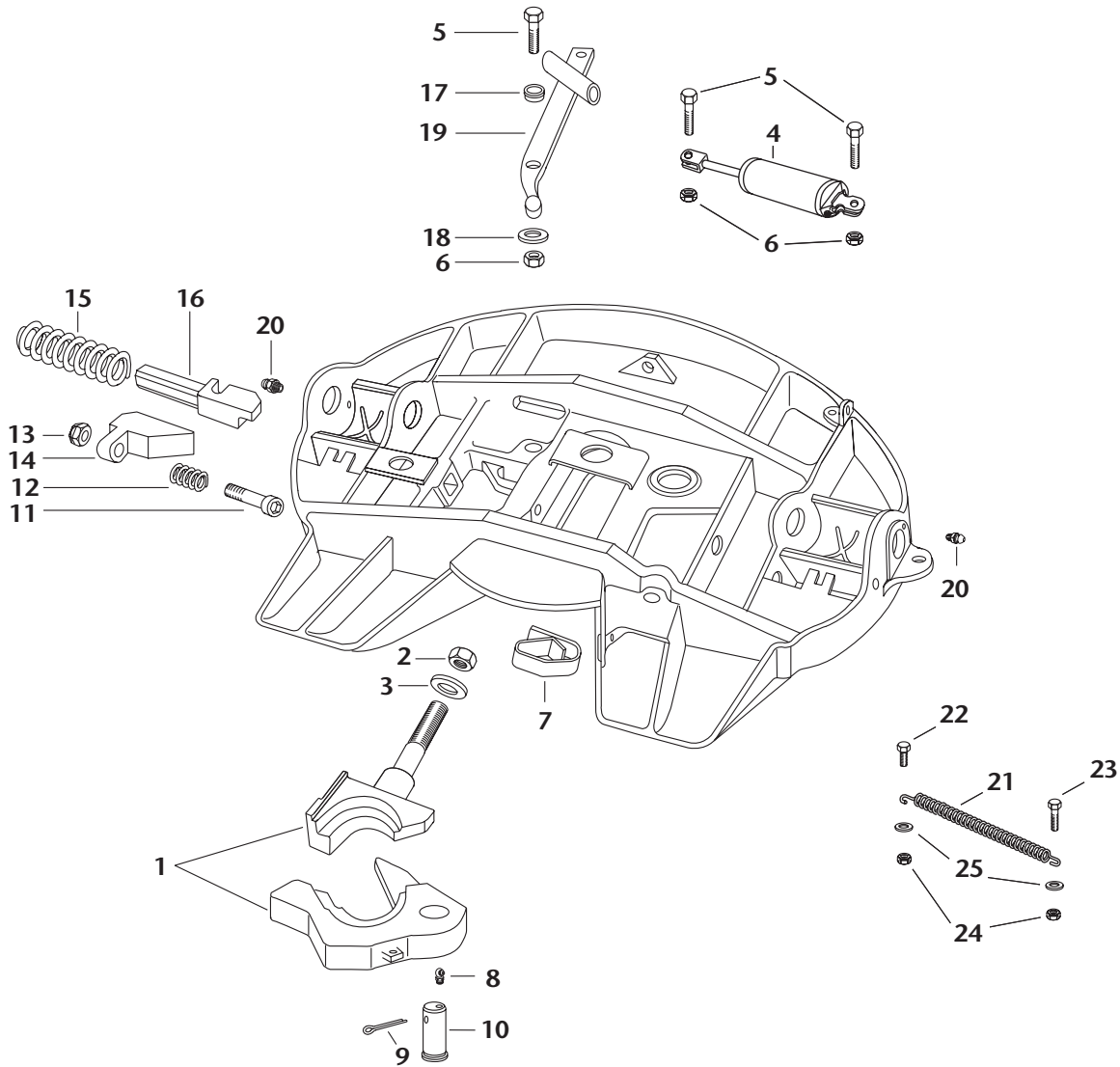
This unit is **not** intended for use on public highways

DIMENSIONS



** Bracket pin centre line to top surface

FWOE70-T FIFTH WHEEL - SPARE PARTS



Item	Part No.	Qty	Description	Item	Part No.	Qty	Description
1	XA-FW-104-03-T-KTL	1	Lock Set - 3.5"	13	XB-HNH-58-C	1	Lock Nut
	XA-FW-104-D-T-KTL	1	Lock Set - 2"	14	XD-3123-1-KTL	1	Adjusting Wedge
2	XB-04473	1	Lock Nut	15	XB-1007	1	Spring
3	XB-10327	1	Washer	16	XA-1104-1	1	Plunger
4	XA-2524-R-2	1	Air Cylinder	17	XB-02949	1	Bushing
5	XB-2083	3	Bolt	18	XB-T-49	1	Washer
6	XB-T-69-A	3	Lock Nut	19	* XA-60020-KTL	1	Lever
7	XA-FW-128	1	Spring	20	* XB-H-38	2	Lube Fitting
8	XB-0769	1	Lube Fitting - 90 deg.	21	* XA-60021-KTL	1	Spring
9	XB-T 60	1	Cotter Pin	22	31008	1	Bolt M10 x 25
10	XA-FW-108-D	1	Lock Pin	23	* 31032	1	Bolt M10 x 50
11	XB-09407	1	Socket Head Cap Screw	24	32008	2	Lock Nut
12	XB-403-KTL	1	Spring	25	33023	2	Washer



SAF-HOLLAND GmbH
Hauptstraße 26
D-63856 Bessenbach, Germany
Phone: +49 (0) 6095-301302
Fax: +49 (0) 6095-301200

HOLLAND EUROHITCH Ltd.
Hoo Farm Ind. Est. Worcester Rd.
Kidderminster, Worcs. DY11 7RA, UK
Phone: +44 (0) 1562-732010
Fax: +44 (0) 1562-732020

HOLLAND EUROPE GmbH
Altenkamp 9, D-33758
Schloss Holte-Stukenbrock, Germany
Phone: +49 (0) 5207-89560
Fax: +49 (0) 5207-895656

Copyright © October 2007-SAF-HOLLAND. All information contained in this document is correct at time of copyright and is subject to change without notification all rights reserved