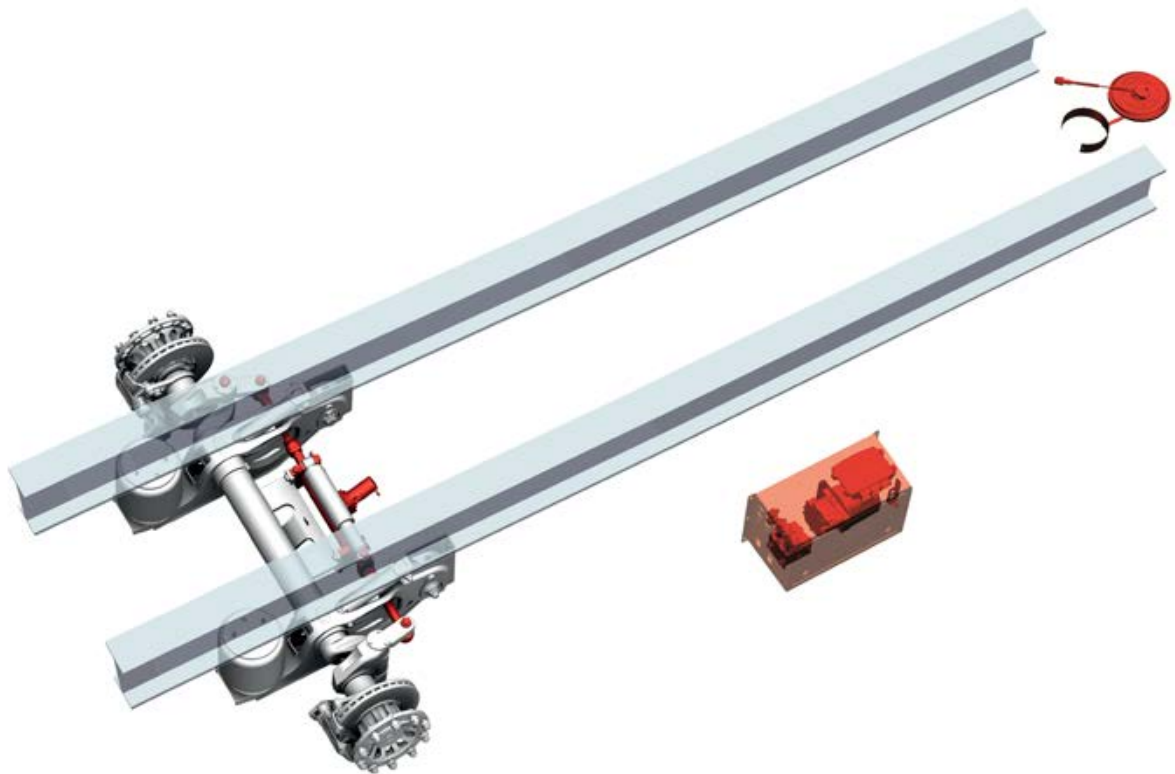


# Electro-hydraulic Steering System for trailers

## VSE Smart Steering



### SPECIFICATIONS

- System weight without axle 40 kg
- Suitable for one self steer axle
- Temperature range -30 to +40 degrees Celsius
- Suitable for any axle
- Active steering assistance up to 25 km/h forwards and backwards
- Can be retrofitted

### APPLICATIONS

- For any type of trailer with a self steer axle

Weight	System locker dimensions L x W x H
40 kg	550 x 270 x 350 mm

[safholland.com](http://safholland.com)

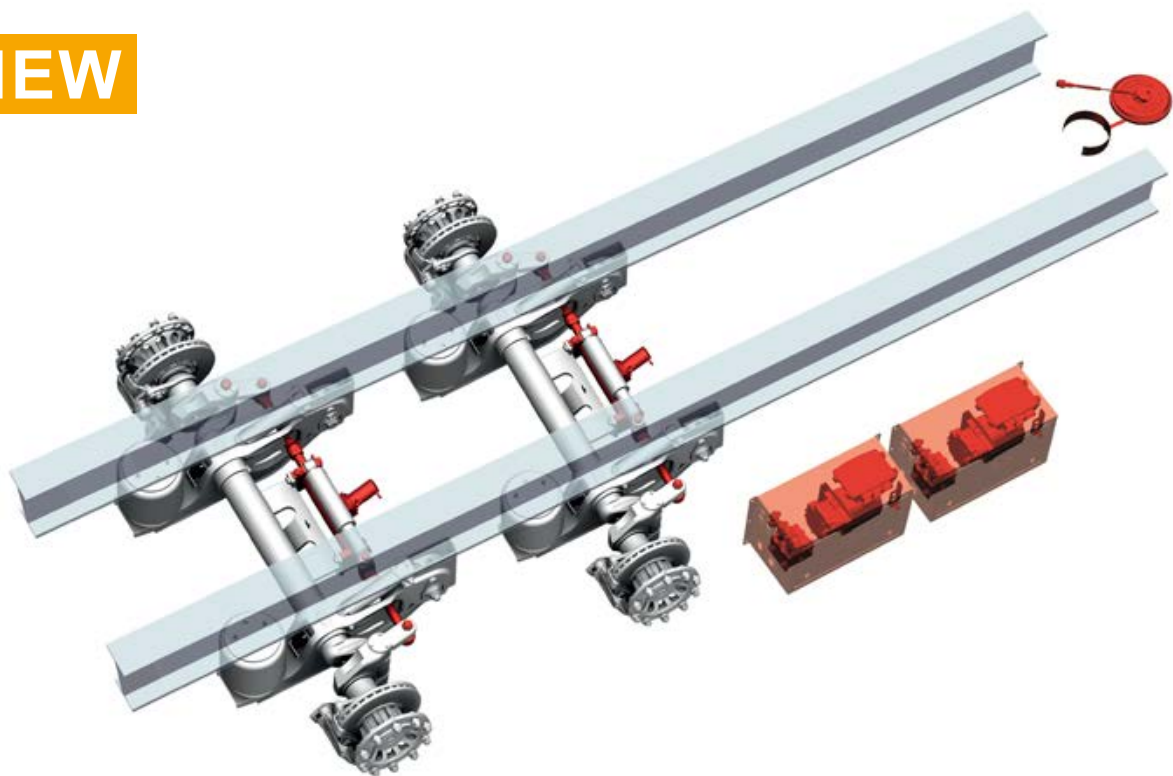
SAF-HOLLAND GmbH

Hauptstraße 26 - 63856 Bessenbach - Germany - Tel +49 6095 301-0 - [info@safholland.de](mailto:info@safholland.de)

# Electro-hydraulic Steering System for trailers

## VSE Double Smart Steering

**NEW**



### SPECIFICATIONS

- System weight without axle 80 kg
- Suitable for two self steer axles
- Temperature range -30 to +40 degrees Celsius
- Suitable for any axle
- Active steering assistance up to 25 km/h forwards and backwards
- Can be retrofitted

### APPLICATIONS

- For any type of trailer with a self steer axle
- Interesting as a retrofit solution on vehicles with trailing axle

Weight	System locker dimensions L x W x H
80 kg	550 x 270 x 350 mm

[safholland.com](http://safholland.com)

SAF-HOLLAND GmbH

Hauptstraße 26 - 63856 Bessenbach - Germany - Tel +49 6095 301-0 - [info@safholland.de](mailto:info@safholland.de)