



FIFTH WHEELS

OPERATING INSTRUCTIONS

XA-2801-03185 Series

Elevating Fifth Wheel Top Plates

IMPORTANT SAFETY INSTRUCTIONS

1. Relative to tractor-trailer operations, there are other checks, inspections, and procedures not listed here, which are necessary, prudent, and/or required by law. The following is in addition to these and pertains to the fifth wheel only.
2. Perform these procedures in an area clear of obstacles and other personnel.

⚠ WARNING Failure to follow all the maintenance procedures contained in these instructions may result in a hazardous condition or cause a hazardous condition to develop which, if not avoided, could result in death or serious injury.

CHECK EQUIPMENT PRIOR TO USE

1. Make sure the fifth wheel is properly lubricated.
2. Make sure the secondary lock is disengaged. (See **FIGURE 1**).
3. Make sure the fifth wheel locks are open.
4. Make sure the fifth wheel ramps are tilted down as shown in **FIGURE 2**.

COUPLING

1. Back up close to the trailer, centering the kingpin in the throat of the fifth wheel. **STOP**. Set tractor brakes.
2. Block the trailer wheels, connect brake lines, and set trailer brakes.
3. Check to see that the trailer is at the proper height for coupling. (The front of the bolster plate should contact the fifth wheel approximately 4" to 6" behind the fifth wheel's pivot point. If not, raise or lower the fifth wheel and, if necessary, the trailer landing gear, to obtain this position.)

continued

FIGURE 1

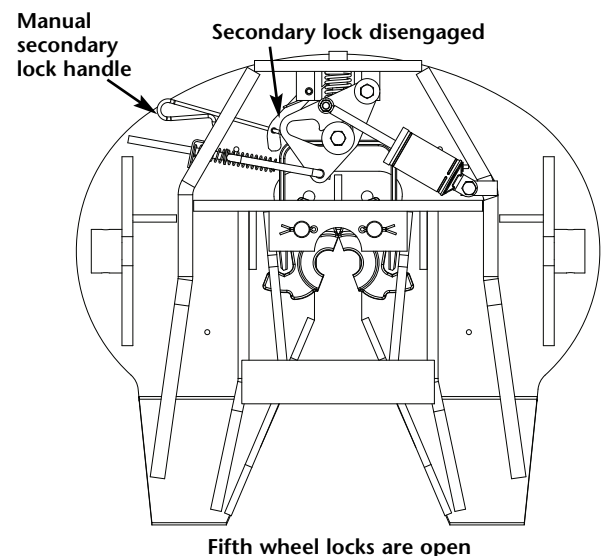
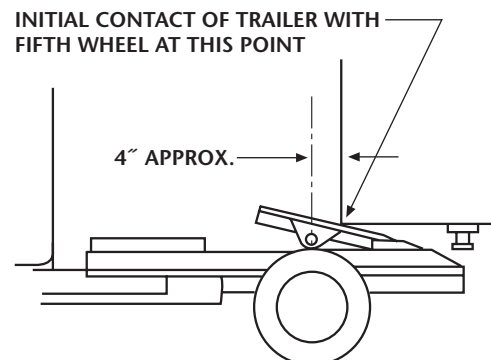


FIGURE 2



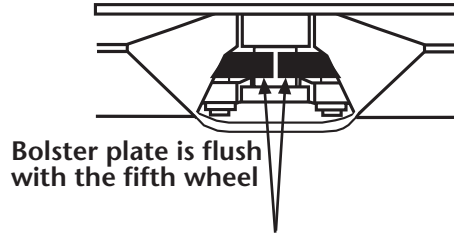
COUPLING *(continued)*

4. Back under the trailer, engaging the fifth wheel locks with the trailer kingpin. Pull forward to test the completeness of the coupling as an initial check. Set the tractor brakes. Next, **visually** inspect the fifth wheel, as shown in **FIGURE 3**, to verify that it is properly locked.

WARNING Failure to verify a proper couple can result in tractor and trailer separation which, if not avoided, could result in death or serious injury.

FIGURE 3

View looking into the throat of the fifth wheel

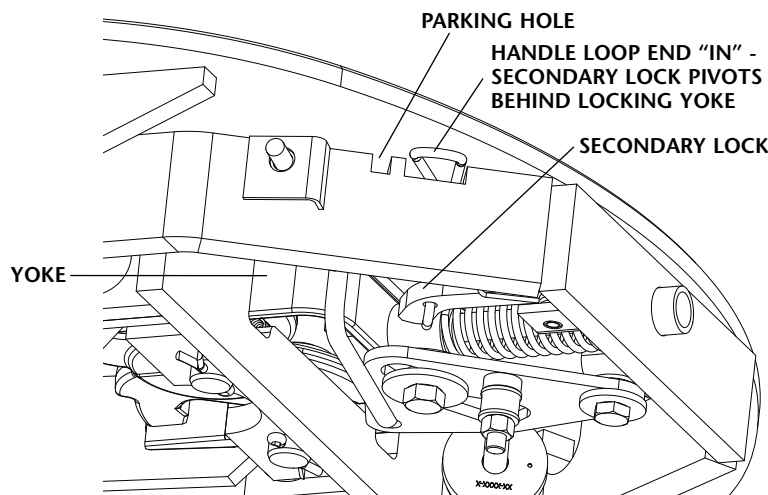


LOCKS COMPLETELY CLOSED AROUND KINGPIN

5. If operation on public streets or highways is required, the manual secondary lock must be engaged. To engage the secondary lock, remove the handle loop end from the parking hole in the top plate and allow the handle to move in and allow the secondary lock to pivot behind the locking yoke, as shown in **FIGURE 4**. See the warning.
6. Remove blocks. Release tractor and trailer brakes. Raise trailer to desired height and move trailer.

IMPORTANT: Elevating fifth wheels in the elevated position are less stable than standard fifth wheels. To avoid rollovers, do not travel at excessive speeds, and do not make sudden turns or maneuvers.

FIGURE 4



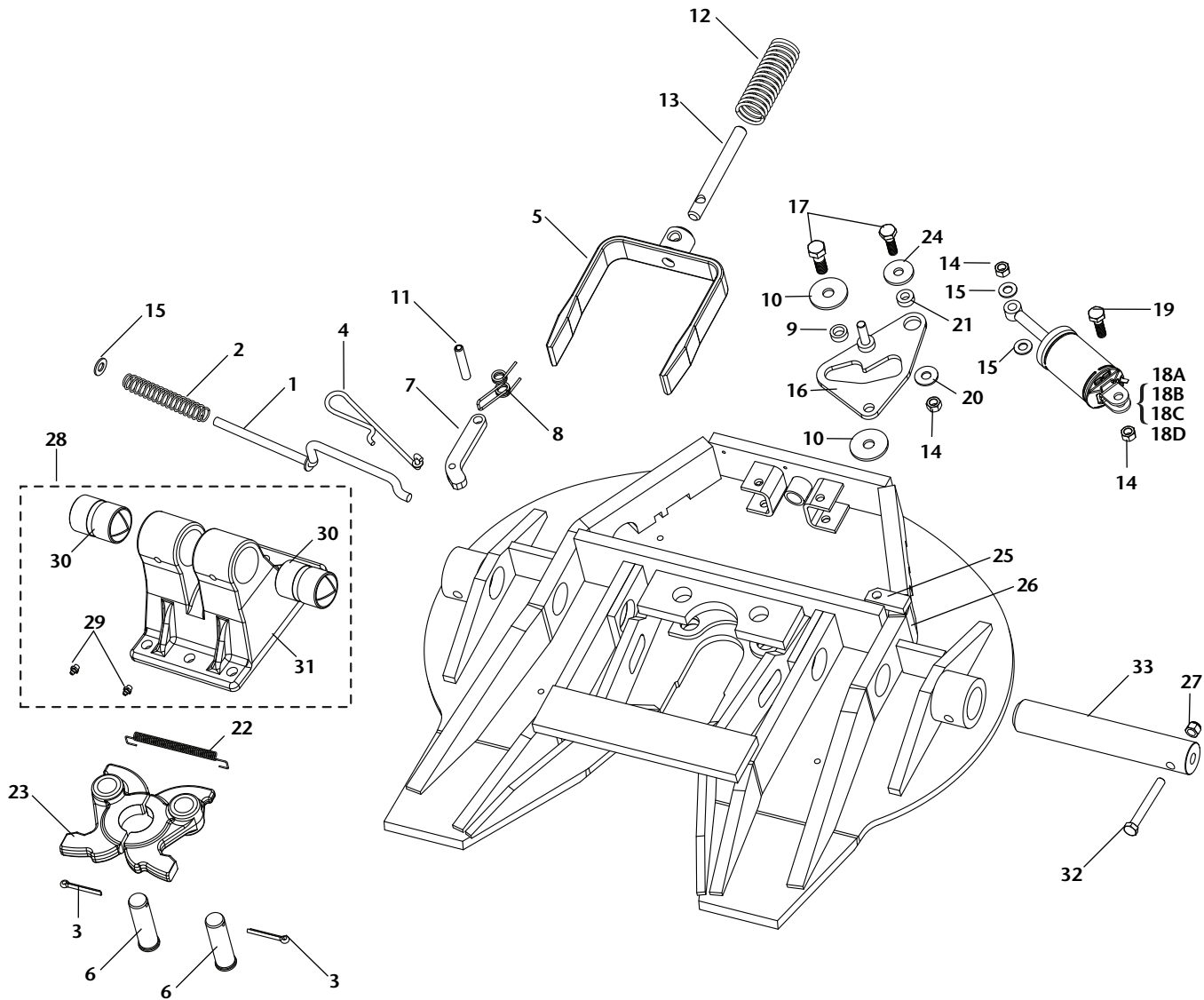
WARNING Failure to operate elevating fifth wheel in the down position will reduce vehicle stability which could cause death or serious injury.

IMPORTANT: This unit is not recommended for operation on public streets and highways. When such trailer moves are necessary, the manual secondary lock on the fifth wheel must be engaged (see coupling procedure #5 above) and the fifth wheel must be in the down position. Limit speed to 45mph maximum.

UNCOUPLING

1. Position the trailer in the desired location and set the TRAILER brakes. The TRACTOR brakes should be released.
2. Lower the trailer until it rests on its trailer (landing gear) supports. Assure firm ground support for the landing gear.
3. Block the trailer wheels, disconnect and store air and light lines.
4. Check to see if the secondary lock is engaged. If engaged, release it by pulling the secondary lock handle. To keep the secondary lock open, place the handle loop end in the parking hole in the top plate. This holds the secondary lock away from the locking yoke.
5. While holding the lock control valve in, slowly pull out from the trailer.
6. After driving completely free from the kingpin, release the lock control valve.

XA-2801-03185-SERIES PARTS BREAKDOWN



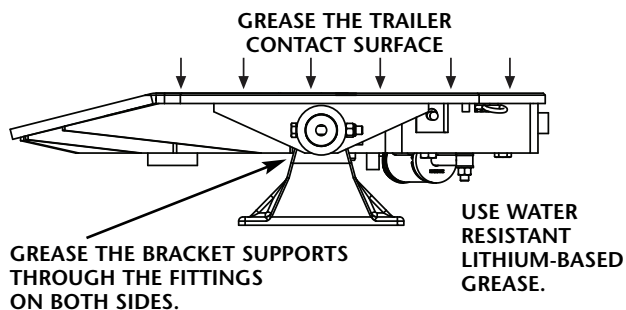
ITEM NO.	PART NO.	NO. REQ'D.	PART NAME	ITEM NO.	PART NO.	NO. REQ'D.	PART NAME
1	XA-1707-16	1	Handle S/A Release	18B	XA-2524-03185-2	1	Air Cyl. S/A for XA-2801-03185-3
2	XB-1028-1	1	Spring	18C	XA-2524-03185-1	1	Air Cyl. S/A for XA-2801-03185-2
3	XB-5	2	Cotter Pin, 1/4" x 2"	18D	XA-2524-03185-1	1	Air Cyl. S/A for XA-2801-03185-1
4	XA-3544-1-A	1	Handle S/A	19	XB-2083	2	HHCS, 1/2"-20 x 1-3/4"
5	XA-1703-F	1	Yoke	20	XB-T-49	1	Washer, 1/2"
6	XA-1313	2	Lock Pin	21	XA-1029	1	Roller
7	XA-3528	1	Lock Bar	22	XB-GT-13-1	1	Extension Spring
8	XB-2149	1	Torsion Spring	23	XA-1704-X	1	Lock Set
9	XA-1507-1	1	Cam Roller	24	XB-10267	1	Washer, 9/16"
10	XB-1030-1	2	Washer	25	XA-2836	1	Cylinder Support
11	XB-21-S-500-2750	1	Roll Pin	26	XA-2836-1	1	Spacer
12	XB-1505	1	Spring	27	XB-0103	2	Lock Nut, 1/2"-13
13	XA-1706-1	1	Yoke Shaft	28	XA-03189-1	2	Bracket S/A
14	XB-T-69-A	3	Lock Nut, 1/2"-20	29	XB-H-38	4	Lube Fitting
15	XB-PW-1732-1-116	3	Washer, 1/2"	30	XA-0861	4	Bearing
16	XA-1705-11	1	Cam Plate S/A	31	XA-03193-1	2	Bracket S/A
17	XB-CX-58-F-134	1	HHCS, 5/8"-18 x 1-3/4"	32	XB-BR-12-C-4	2	HHCS, 1/2"-13 x 4"
18A	XA-2524-03185-3	1	Air Cyl. S/A for XA-2801-03185-4	33	XA-2809	2	Pivot Shaft

PERIODIC MAINTENANCE OF XA-2801-03185 SERIES FIFTH WHEEL TOP PLATES

WEEKLY

1. Apply grease to the bracket supports through the grease fittings as shown below.
2. Be sure the fifth wheel top plate is lubricated.
3. Check operation of the fifth wheel locking mechanism.

FIGURE 5



MONTHLY

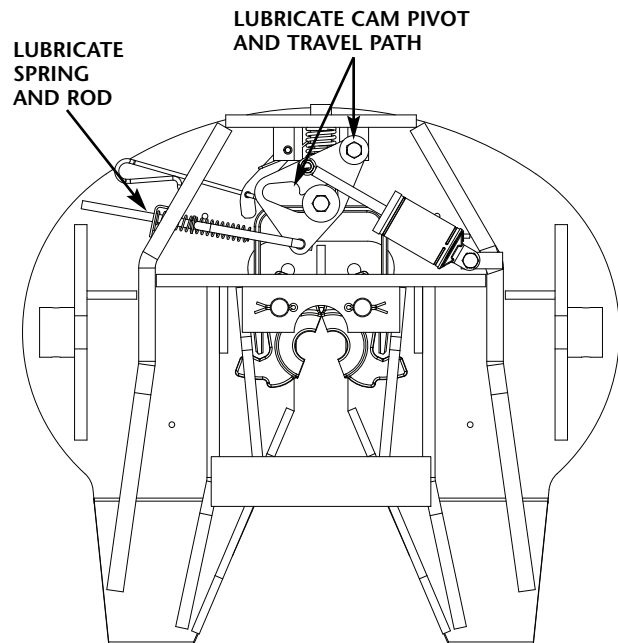
1. Steam clean the entire top plate thoroughly.
2. Inspect the fifth wheel top plate assembly.
 - Check for — and replace — any bent, worn, or broken parts.
 - Check for cracks in the top plate casting or any component part.

Replace as required using only SAF-HOLLAND original parts.

3. Check the fifth wheel locking mechanism for proper operation using a SAF-HOLLAND TF-TLN-1000 or TF-TLN-5001 Lock Tester. When checking, move the lock tester fore and aft when closed in the locks. If play exceeds 3/8", rebuild or replace the top plate. See your Holland Distributor for parts and ordering information.

WARNING Failure to use a properly functioning fifth wheel may cause loss of vehicle control which, if not avoided, could result in death or serious injury.

4. Relubricate the entire fifth wheel as shown above.



SAF-HOLLAND USA, Inc.
888.396.6501 Fax 800.356.3929

SAF-HOLLAND Canada Limited
519.537.3494 Fax 800.565.7753
Western Canada
604.574.7491 Fax 604.574.0244