



FW0070

FW0070 SPECIFICATIONS

(Also early FW0E70 - before June 2003)



Heavy Duty Fifth Wheel

34000 kg Vertical Load

165 kN D-Value - 2" Version

240 kN D-Value - 3.5" Version

Earlier Version - before June 2003

FEATURES OF THE FW0E70

- Heavy Duty Fifth Wheel for general on- and off-road applications where higher capacities are required.
- Available with Locks for 3.5" and 2" Kingpins.
- High strength cast steel construction, minimum operating temperature -40°C.
- Forged, heat treated steel locks, for maximum strength and durability.
- Manufactured in accordance with DIN 74081 and DIN 74084 standards.



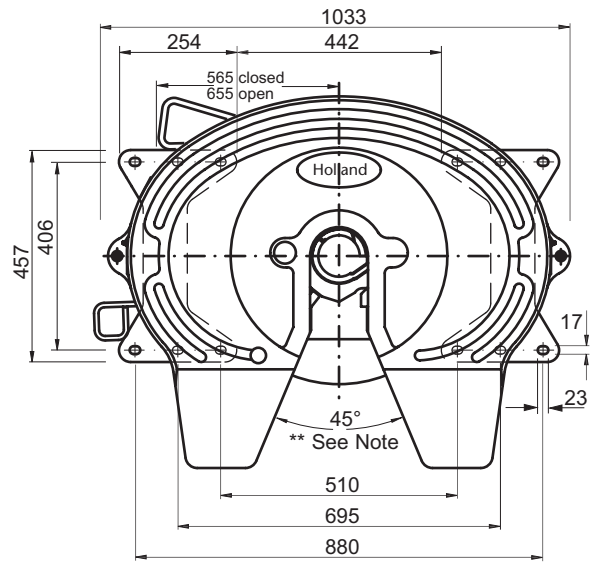
WARNING

The load limits given are valid for operation on paved roads and under conditions prevailing in Europe. For alternative conditions please consult Holland

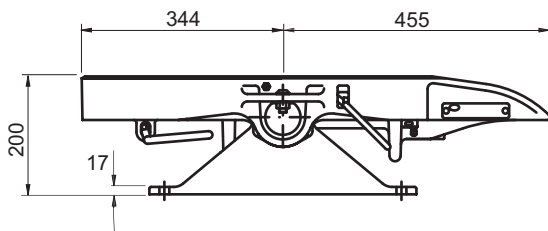


WARNING

Mounting must be carried out in accordance with Holland instructions



** Note : Throat angle 40° on early FW0E70

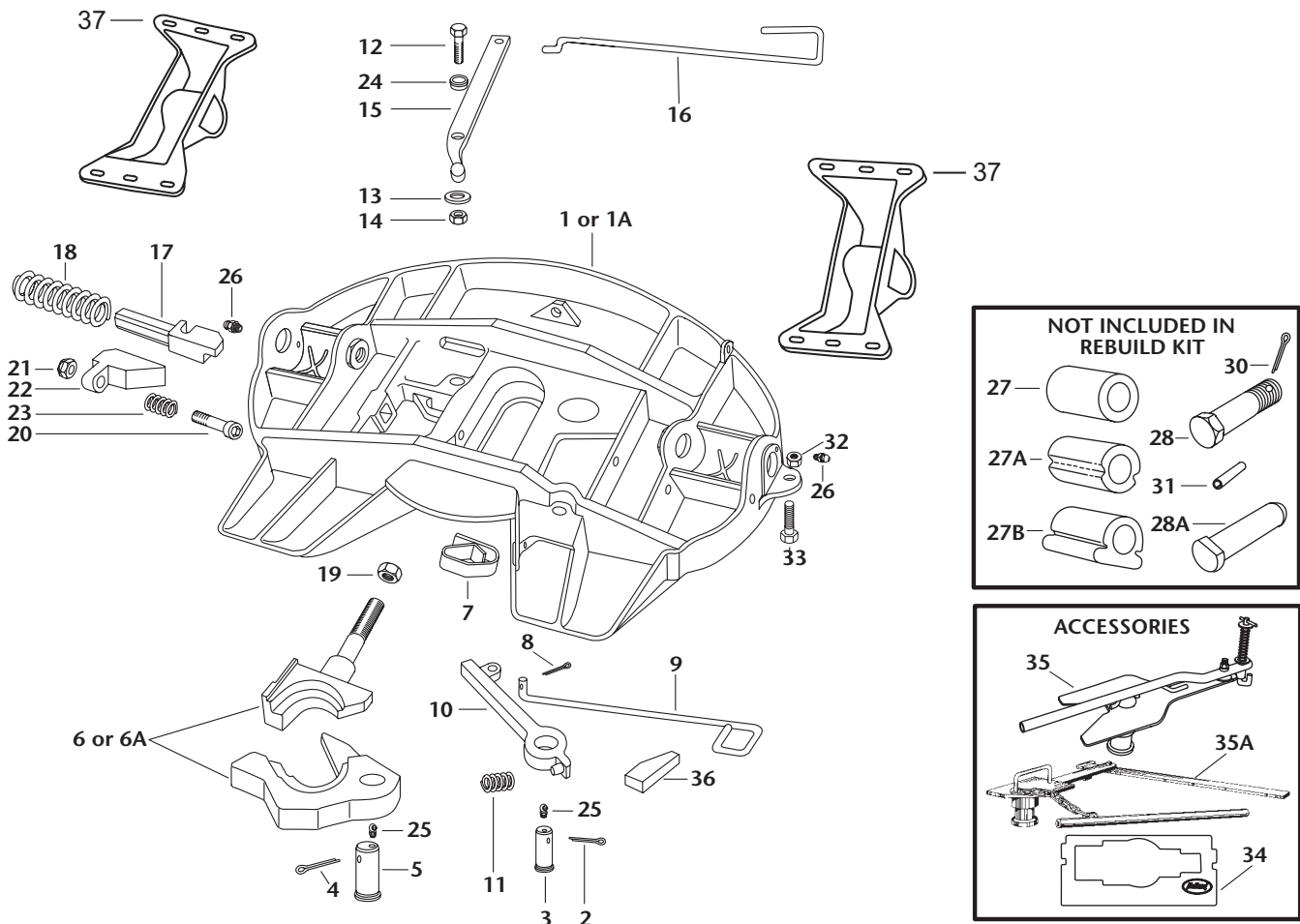


Part Number *	Height	Vertical Load	D-Value	Weight	Locks
FW0070-03 *	top plate only	34000 kg	240 kN	148 kg	3.5"
FW0070-02 *	top plate only	34000 kg	165 kN	148 kg	2"
FW0070-06119 *	200 mm	34000 kg	240 kN	184 kg	3.5"
FW0070-06119-2 *	200 mm	34000 kg	165 kN	184 kg	2"

* Note : Complete units no longer available - see new type FW0E70, document no. XL-FW1090-01

Holland reserves the right, without prior notice, to change specifications and dimensions.

FW0070 / early FW0E70 FIFTH WHEEL - SPARE PARTS



ITEM	PART NO.	QTY	DESCRIPTION	ITEM	PART NO.	QTY	DESCRIPTION
*1	FW0E70-02-TP	1	Complete assy - 2" (NEW TYPE)	20	XB-09407	1	Socket head cap screw
*1A	FW0E70-03-TP	1	Complete assy - 3.5" (NEW TYPE)	21	XB-09174	1	Lock nut 5/8" - 11
2	XB-5	1	Cotter pin 1/4" x 2"	22	XD-3123-1-KTL	1	Adjusting wedge
3	XA-1016-C-KTL	1	Lock pin	23	XB-403-KTL	1	Compression spring
4	XB-T-60	1	Cotter pin 1/4" x 2.5"	24	XB-02949	1	Bushing
5	XA-FW-108-D	1	Lock pin	25	XB-0769	2	Lube fitting (90°)
6	XA-FW-104-D-KTL	1	Lock set for 2" kingpin	26	XB-H-38	2	Lube fitting
6A	XA-FW-104-03-KTL	1	Lock set for 3.5" kingpin	* 27	XB-1604-9	2	Bushing (prior to 5/82)
7	XA-FW-128	1	Spring	* 27A	XB-0012-1	2	Bushing (5/82 - 9/87)
8	XB-16	1	Cotter pin 1/8" x 1"	* 27B	XB-0012-3	2	Bushing (after 9/87)
9	XA-FW-78	1	Secondary lock release handle	* 28	XA-2632	2	Pivot bolt (prior to 11/86)
10	XA-FW-137-2-KTL	1	Secondary lock arm	* 28A	XE-02759-KTL	2	Pivot pin (after 11/86)
11	XB-1028-2	1	Spring	* 29	XB-T-9N-2	2	Nut (prior to 11/86)
12	XB-2083	1	Hex hd. bolt 1/2" - 20 x 1.75"	* 30	XB-T-60	2	Cotter pin (prior to 11/86)
13	XB-T-49	1	Plain washer	* 31	XB-21-S-375-1750	2	Roll pin
14	XB-T-69-A	1	Hex lock nut	* 32	32001	2	Hex lock nut
15	XA-1005-FH-KTL	1	Release lever	* 33	31041	2	Bolt
16	XA-1117-H-KTL	1	Release handle	* 34	TF-0110	1	Kingpin gage
17	XA-1104-KTL	1	Plunger	* 35	TF-TLN-5001	1	2" kingpin lock tester
18	XB-1007	1	Compression spring (red)	* 35A	TF-TLN-1500	1	3.5" kingpin lock tester
19	XB-04473	1	Jam nut 1" - 14	36	XA-05768-1	1	Adjusting block
	RK-65024		Lock repair kit (2")	* 37	XD-05518-KTL	2	Brackets for 200 mm Height
	RK-65024-1		Lock repair kit (3.5")		RK-65014		Full overhaul kit (2")
					RK-65015		Full overhaul kit (3.5")

* Not included in Rebuild Kits



SAF-HOLLAND GmbH
Hauptstraße 26
D-63856 Bessenbach, Germany
Phone: +49 (0) 6095-301302
Fax: +49 (0) 6095-301200

HOLLAND EUROHITCH Ltd.
Hoo Farm Ind. Est. Worcester Rd.
Kidderminster, Worcs. DY11 7RA, UK
Phone: +44 (0) 1562-732010
Fax: +44 (0) 1562-732020

HOLLAND EUROPE GmbH
Altenkamp 9, D-33758
Schloss Holte-Stukenbrock, Germany
Phone: +49 (0) 5207-89560
Fax: +49 (0) 5207-895656