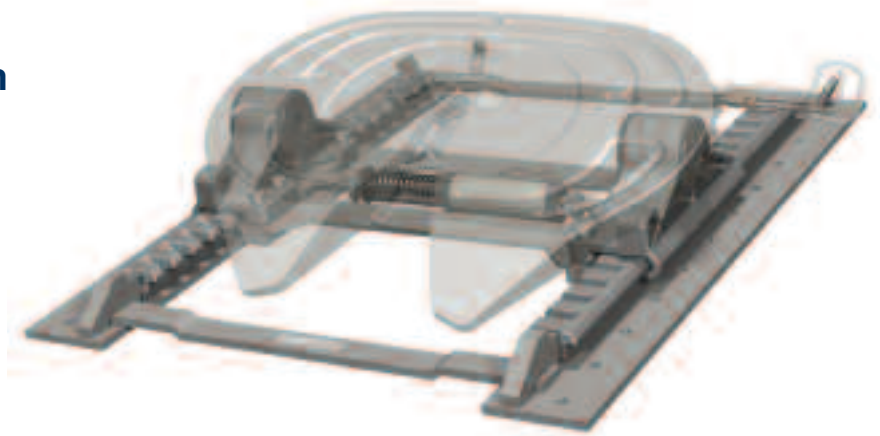




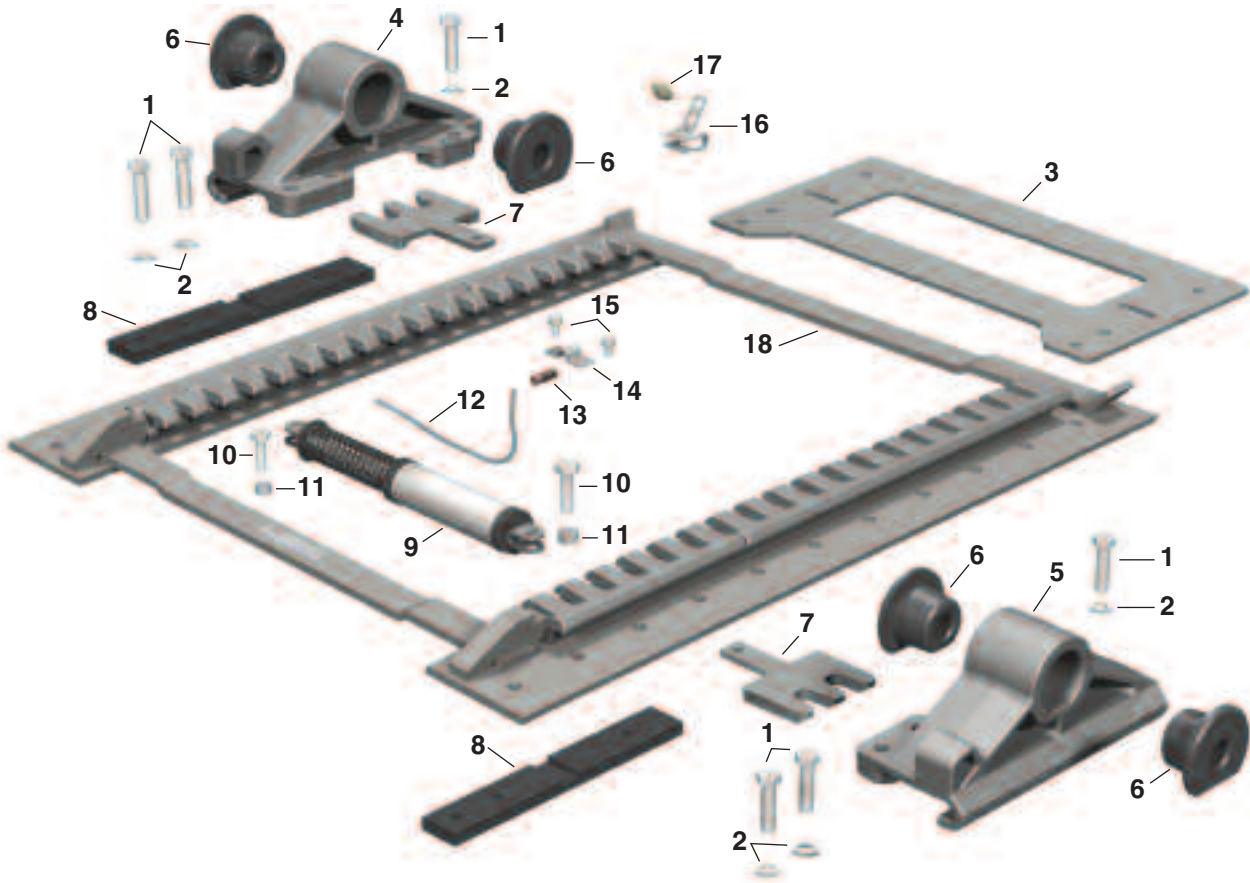
INTEGRATED LOW-WEIGHT SLIDER SYSTEM



SAVES UP TO 60 kg
COMPARED TO COMPETITIVE
FIFTH WHEELS.

WITH FULL EUROPEAN TYPE APPROVAL
Type Approval No. e11*94/20*0056*00

ILS SLIDER PARTS



Available with:

Holland FW3510, FW3110 and FW17E and FW17EK fifth wheel models
 Standard Travel Lengths: 610mm and 1220mm
 Special Order Travel Lengths: 915mm and 1525mm

Mounting Heights:

FW3510	173mm	198mm	223mm
FW3110	182mm	207mm	233mm
FW17E	177mm	202mm	228mm
FW17EK	185mm	210mm	236mm

ITEM	PART NO.	QTY.	DESCRIPTION
1	XB-HCS-M16-60-Z	6	16mm x 60mm bracket bolts
2	XB-LW-M16-A	6	5/8" lock washer
3	XA-10606-1	1	Slide bracket plate
4	XD-10689-1L	1	178mm left-hand slide bracket
	XD-10689-2L	1	203mm left-hand slide bracket
	XD-10689-3L	1	229mm left-hand slide bracket
5	XD-10689-1R	1	178mm right-hand slide bracket
	XD-10689-2R	1	203mm right-hand slide bracket
	XD-10689-3R	1	229mm right-hand slide bracket
6	XB-10605	4	Bracket cushions
7	XA-10604-1	2	Locking plungers
8	XA-10711-1	2	Stop blocks
9	XA-10700	1	Air cylinder

ITEM	PART NO.	QTY.	DESCRIPTION
10	XB-2083	2	1/2"-20 x 1-3/4" bolt
11	XB-T-69-A	2	1/2"-20 lock nut
12	XB-10809	1	1/4" OD air line tubing
13	XB-10815	1	1/4" push-connect union
14	XB-10816	1	Air line clamp
15	XB-10814	2	3/8"-16 x 5/8" thread cutting screw
16	XA-10736	1	Air line stand-off clip
17	XB-10748	1	1/4" quick-connect bulkhead union
18	XA-E-2*	1	Slide base sub-assembly 610mm travel
	XA-E-3*	1	Slide base sub-assembly 915mm travel
	XA-E-4*	1	Slide base sub-assembly 1220mm travel
	XA-E-5*	1	Slide base sub-assembly 1525mm travel

* Designation for OEM specific hole spacing – all OEMs available



THE HOLLAND GROUP, INC.
 Holland, MI 49423
 United States

Phone: (616) 396-6501
 Fax: (616) 396-1511

HOLLAND EUROPE GmbH
 Altenkamp 9
 D-33758
 Schloss Holte-Stukenbrock
 Germany

Phone: +49 (0)5207 89 56 0
 Fax: +49 (0) 5207 89 56 56

EN ISO
 9001:2000



DNV
 Certified
 Company

HOLLAND EUROHITCH LTD.
 Hoo Farm Industrial Estate
 Worcester Road
 Kidderminster
 Worcestershire DY11 7RA

Phone: +44 (0)1562 732010
 Fax: +44 (0)1562 732020

HOLLAND HITCH (AUST.) PTY. LTD.
 Melton, Victoria, Australia
 Phone: 61 (0)3-9743 6799
 Fax: 61 (0)3-9747 9617

HOLLAND TRANSTRADE
 (Thailand) Company, Ltd.
 Bangkok, Thailand
 Phone: 66 (0)2 513 8758
 Fax: 66 (0)2 513 8757

NIPPON HOLLAND, LTD.
 Tokyo, Japan
 Phone: 81 (0)3 3461 9130
 Fax: 81 (0)3 3463 1407

HOLLAND TRANSTRADE
 Far East SDN BHD
 Shah Alam, Malaysia
 Phone: 60 (0)3 734 2888
 Fax: 60 (0)3 736 5588

Copyright © April 2006 • The Holland Group, Inc.

www.hollandeurope.com

XL-FW1131-01