

SAF INTRA

The benchmark in the 9t range: efficient, safe and economical



ONE UNIT – MANY VARIANTS AND APPLICATIONS ...

Especially protected due to its position in the functional suspension arm: the shock absorber



The patented SAFE-GUARD-DESIGN of the functional suspension arm protects the brake cylinder reliably from damage

Long-term conservation of value and functional safety through sophisticated cathodic dip coating with optimum corrosion protection down to the last detail

Functional suspension arm and axle tube form an inseparable and maintenance-free unit. This eliminates the need for U-bolts, clamping plates and nuts. The entire design is extremely robust and yet very lightweight

20 YEARS SAF INTRA

ECONOMIC EFFICIENCY

Efficient and without compromises

The INTRA family has set new standards – both at home and on an international level. Today, after having been proven and tested millions of times, it is distinguished by its particularly high economic efficiency. Precisely matched to the specific transportation task, INTRA provides – in its different versions – ideal and above all safe solutions for the 9t range. And does so regardless of which area of application is required – for less wear and tear and more planning reliability.

FOR MORE INFORMATION:



EFFICIENCY

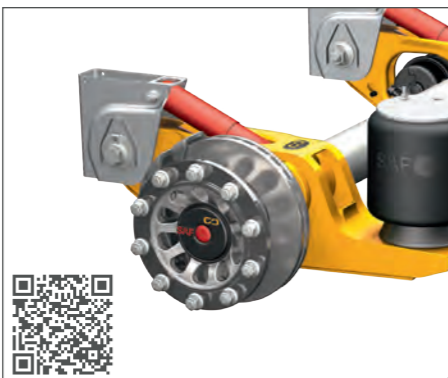


FUNCTIONAL SAFETY

POSSIBLE APPLICATIONS

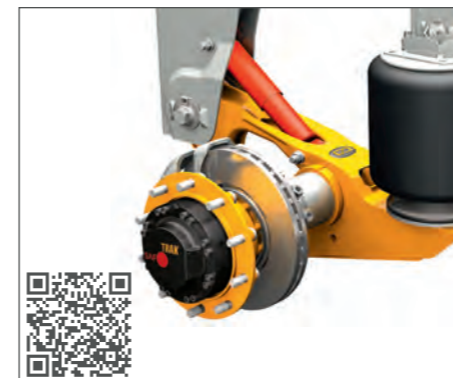
SAF INTRA CD

Systematically optimised for specific transport needs – the SAF INTRA CD is especially suitable for particularly demanding traffic routes.



SAF INTRA CD TRAK

The SAF INTRA CD TRAK supports the truck on inclines and difficult terrain, using a hydraulically driven motor – simply by pressing a button.



SAF INTRA STEERING AXLE

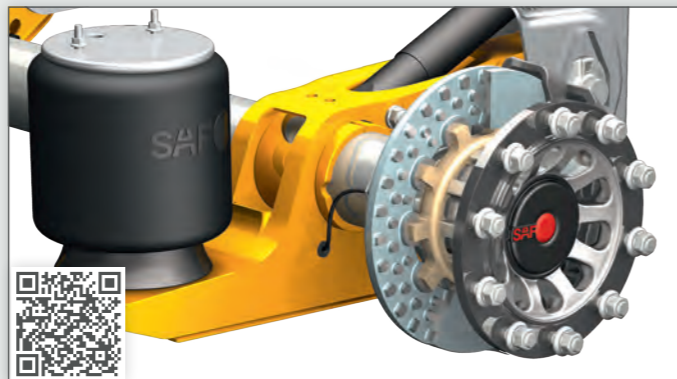
Developed for special requirements of delivery vehicles, the SAF INTRA self-steering axle provides significant weight optimisation and more flexibility on routes with tight corners.



BRAKE VARIANTS

SAF INTRADISC PLUS INTEGRAL

Especially in the trailer area: The SAF INTRADISC plus INTEGRAL has a two-piece brake disc that is one of a kind worldwide. This design principle protects the material and prolongs its service life.



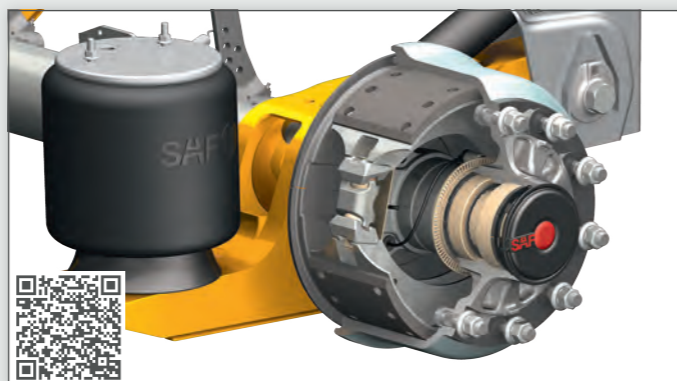
SAF INTRADISC AIRVENT

With the SAF INTRADISC AIRVENT, internal AirVent ventilation channels cool the brake disc down avoiding the heat accumulation. In addition, they support purposefully a low temperature management in the overall system.



SAF INTRADRUM

The tried-and-tested SAF INTRA with drum brake and INTRADRUM technology is a winner in virtually any transport situation, with special functional reliability and unprecedented economic efficiency.



ACCESSORIES

SAF TIRE PILOT

- tyre-inflating system for trailers and semi-trailers
- monitoring and preservation of the set tire pressure in the trailer



SAF TWO-SIDE AXLE LIFT

- for 22.5" wheels
- only weighs approx. 21 kg per axle
- very simple retrofit



SAF PREMIUM COATED

- four-step premium coating process
- particularly high corrosion protection for demanding operating conditions
- increases the service life of the axle and the resale value
- for INTRA rigid and steering axles available



SAF UP TRAIN LOADING SYSTEM

- one of the lightest train loading bellows on the market
- less wear and a longer life cycle through smooth joining of bellows and support brackets
- no additional equipment (safety ropes, etc.) needed to protect the bellows during loading



Engineering Your Road to Success

The SAF-HOLLAND Group is one of the leading international manufacturers of suspension-related assemblies and components for trailers, trucks and buses. Our innovative products increase the efficiency, safety and environmental friendliness of commercial vehicles, contribute to the success of our customers. With around 3,000 employees worldwide, we are at the forefront of shaping the future of the transportation industry.



Trailer Axles and
Suspension Systems



Coupling and Lifting
Technologies



Coupling and Lifting
Technologies



Trailer
Telematics



Suspensions for
Trucks and Buses



Suspensions and Components
for Commercial Vehicles



Trailer Axles and
Suspensions Systems

safholland.com

SAF-HOLLAND GmbH

Hauptstraße 26 - 63856 Bessenbach - Germany

Tel +49 6095 301-0 - info@safholland.de