

E40

Automatic couplings

The V.ORLANDI E40 series is a 40 mm automatic drawbar coupling, which is designed for steering drawbar trailers and central axle trailers. That coupling series is homologated according to ECE R55 or 94/20/CE standard. It is easy to handle and can be maintained very fast and cost efficient. All E40 couplings can be adjusted with various sensor and remote options.



Technical data

Flange size	120 × 55 140 × 80 160 × 100 [mm]
D-Value	70 - 150 [kN]
DC-Value	70 - 100 [kN]
S-Load (Mass load)	700 - 1000 [kg]
V-Value	28 - 42 [kN]
Weight	33 - 38 [kg]
Homologation	ECE R55 (class S) or 94/20/CE (class S)
Drawbar eye standard	DIN 74054; ECE R55 (class S)

Specs

- Robust rigid coupling, simple installation
- ± 105° angle of rotation and ± 20° vertical oscillation
- Easier to operate, can be opened at any angle between truck and trailer
- Proved according to the latest ECE-R55
- Upgradable with manual or pneumatic remote open system
- Fast Plug and Play connection with several sensor indicators
- Opening lever available either upwards or downwards

E40

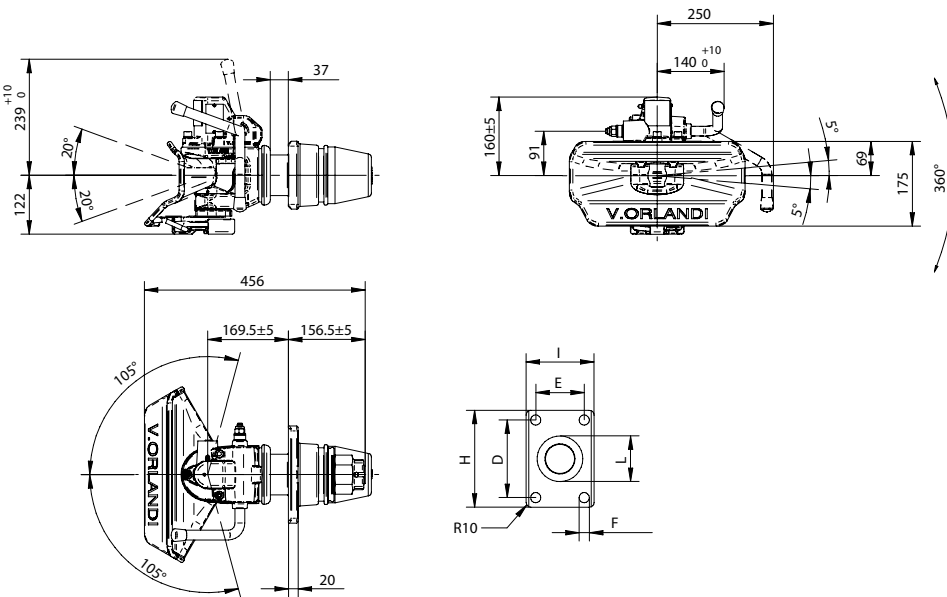
Automatic couplings



For drawbar eyes	∅ 40	ECE R55
------------------	-----------------------	---------

Technical data

Part number	Hole pattern mm	D-Value kN	Dc-Value kN	S-Load kg	V-Value kN	Weight kg	94/20/CE		ECE R55	
							Class	Homologation	Class	Homologation
GE403A0 GE403B0	120 × 55	70	70	700	28	34	S	e11 00-4224	S	E11 01-4224
GE404A0 GE404B0	140 × 80	110	92	1000	38	35,5	S	e11 00-4228	S	E11 01-4228
GE406A0 GE406B0	160 × 100	150	100	1000	42	37,5	S	e11 00-4227	S	E11 01-4227



Create your part number:

GE	XXX	X	X
D-Value		Action lever type	
Version			

D-Value

403 = 70 kN 404 = 110 kN
406 = 150 kN

Action lever types

A = Short lever
B = Long lever

Versions

0 = Standard
1 = Standard + C001601
2 = Standard + C001800 + C002605
3 = Standard + C001603
4 = Standard + C002600
6 = Standard + C001606
9 = Standard + C002601 + C002100

	F mm	H mm	I mm	L mm
E403	∅ 15	155	90	∅ 73,9
E404	∅ 17	180	120	∅ 83,9
E406	∅ 21	200	140	∅ 93,9

Lever type	Version					
A/B	1	2	3	4	6	9
	In cab	Out cab	In cab	In cab	In cab	Out cab