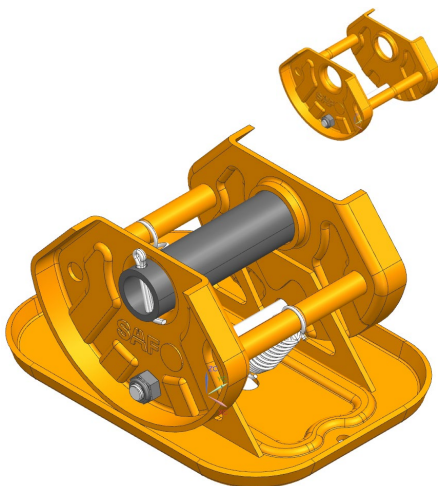


Structural reinforcement of the compensating foot of the Hercules landing gear

During continuous product improvement, the compensating foot of the Hercules landing gear has been revised. Supported by Computer Aided Engineering (CAE), the performance has been improved.

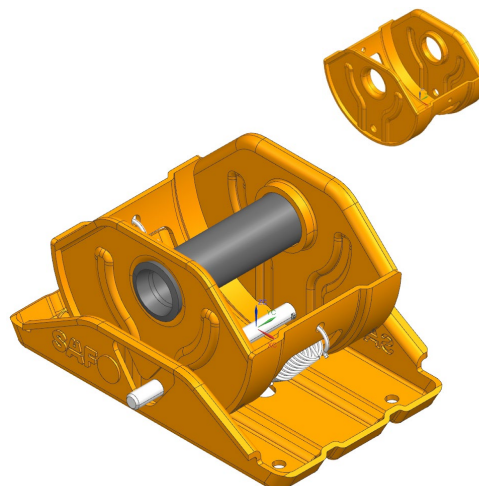
As a result of the change in design, the compensating foot has significantly increased strength in terms of lateral load. The greater compensation travel also leads to improved rolling behavior. Thanks to modern CAE tools, the increase in performance is almost weight neutral.

Compensating foot previous version



- Contact area approx. 686cm²
- Compensation travel +/- 82mm
- Self-centering
- Weight approx. 10kg

Compensating foot new version from Q3 2024



- Contact area approx. 540cm²
- Compensation travel +/- 100mm
- Self-centering
- Weight approx. 10.4kg

The following must be observed when ordering the compensating feet from the **aftermarket**:

- The order number changes from 03 370 1000 / 1006 00 to 03 370 1000 / 1006 01.
- It is possible to replace the leveling feet from old to new without further adjustments
- We recommend replacing the leveling feet in pairs

The changeover took place in Q3/2024

Tel. +49 6095 301-0 · info@safholland.de · 2025-02-13 · XL-AZ10128WI-en-DE
