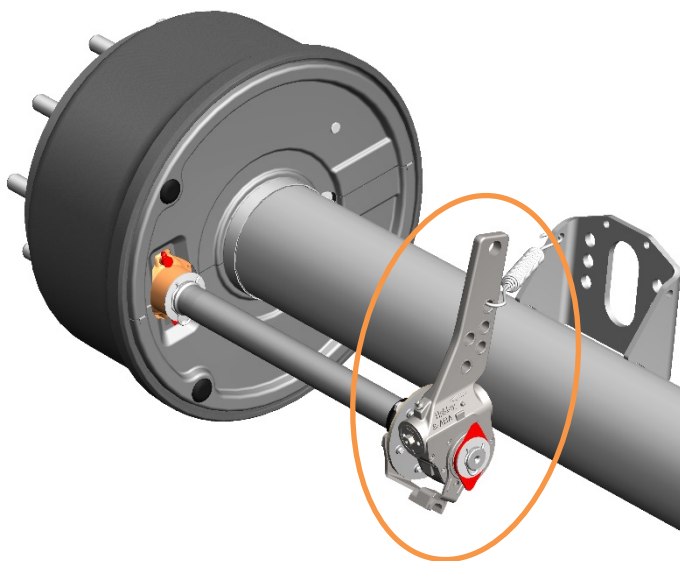


Update of the lever arm shape on slack adjuster Haldex S-ABA

The design of the S-ABA slack adjuster has been optimized by HALDEX. With the input of FEA (Finite-Element-Analyses), based on even material distribution and stress levels, the shape of the lever arm is improved.

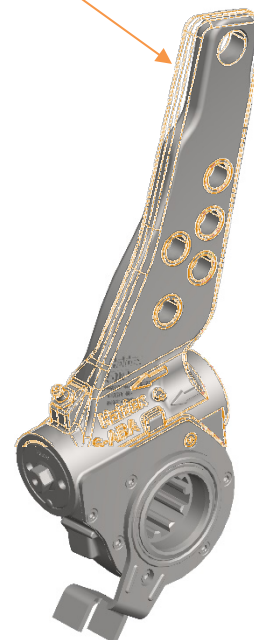
The changed geometry of the lever arm, which is available in different versions, has no impact on the connection points of the brake chambers. The components are backwards compatible.

A change of the respective homologation documents is not needed.



previous slack adjuster 04 175 0314 00175 0314 00

Former shape of 04 175 0314 00



new version 04 175 0314 01

The new design is available for the following part numbers.
The numbers changes at the last digit.

- 04 175 0314 00 changes to 04 175 0314 01
- 04 175 0322 00 changes to 04 175 0322 01
- 04 175 0323 00 changes to 04 175 0323 01

The change takes place in Q1-2022.