



FIFTH WHEELS

SERVICE BULLETIN



FW6200

Maintenance and Lubrication for version with greaseable lock pins

July 16th 2001



All maintenance must be performed by a qualified person using proper tools and safety procedures. All maintenance must be performed while the tractor is uncoupled from the trailer

GENERAL FIFTH WHEEL INSPECTION

The following must be performed every 30,000 miles or 3 months, whichever comes first.

Thoroughly steam clean the fifth wheel to assure that a correct detailed inspection can be carried out.

Check security and torque of mounting bolts, tighten or replace as necessary.

Inspect the fifth wheel assembly for damaged, broken or missing parts, replace as necessary (use only genuine Holland Parts).

Re-lubricate as shown below

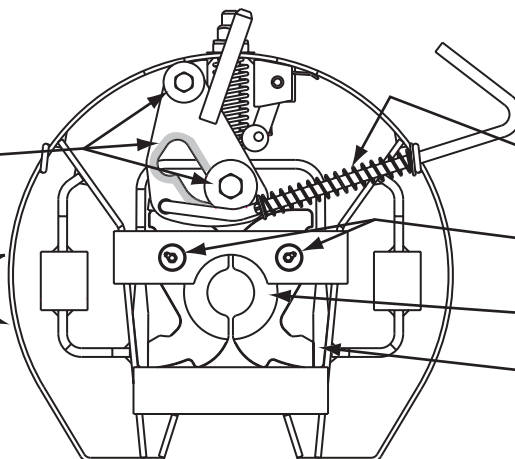
Test the operation of the fifth wheel locking mechanism, ensure proper locking as shown opposite

LUBRICATION

Lubricate with a light oil - SAE 10W or 20W

Camplate profile and washers

Re-grease top surface (trailer contact area) with a water-resistant lithium base grease



Grease using a "low temp." grade recommended for -36°C or lower

Release Handle

Lock Pins (x2)

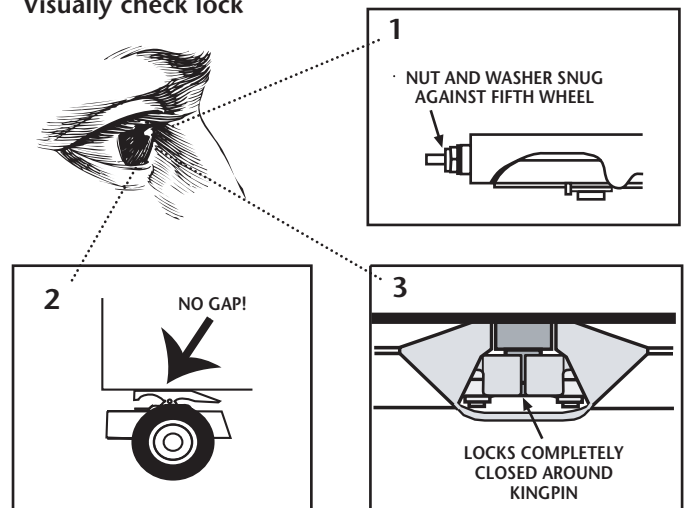
Locks

Yoke Tips

ENSURE PROPER COUPLING

A visual inspection is the best way to ensure proper coupling

Visually check lock



Do not use any fifth wheel which does not operate properly



Copyright © June 2004 • The Holland Group Inc.



The Holland Group, Inc.
Holland, MI 49423
United States
Phone: (616) 396-6501
Fax: (616) 396-1511

EN ISO
9001:2000



DNV
Certified
Company

Holland Europe GmbH

Altenkamp 9
D-33758
Schloss Holte-Stukenbrock
Germany

Phone: +49 (0) 5207-89560
Fax: +49 (0) 5207-895656

Holland Eurohitch Ltd.

Hoo Farm Industrial Estate
Worcester Road
Kidderminster
Worcestershire
DY11 7RA

Phone: +44 (0) 1562-732010
Fax: +44 (0) 1562-732020

Holland Hitch (Aust.) Pty. Ltd.

Melton, Victoria, Australia
Phone: 61-(0)3-9743-6799
Fax: 61-(0)3-9747-9617

Holland Transtrade

(Thailand) Company, Ltd.
Bangkok, Thailand
Phone: 66 (0)2-513-8758
Fax: 66 (0)2-513-8757

Nippon Holland, Ltd.

Tokyo, Japan
Phone: 81-(0)3-3461-9130
Fax: 81-(0)3-3463-1407

Holland Transtrade

Far East SDN BHD
Shah Alam, Malaysia
Phone: 60 (0)3 734-2888
Fax: 60 (0)3 736-5588