



# FW3410

## FW3410 SERIES SPECIFICATIONS



### Fifth Wheel

65000 kg Gross Combination Weight  
20000 kg Vertical Load

Type Approval e1\*94/20\*0812  
D-Value 150 kN

### FEATURES

- Low maintenance fifth wheel, easily replaceable wear pads on the top face eliminate the need for greasing of the top surface and wear and tear of the casting - environmentally friendly
- High strength cast steel construction - permitted operating temperature to - 40° C
- Forged alloy steel locks with infinite adjustment
- Operating handle fitted with automatic secondary locking device, eliminating the need for a clip and chain  
Also available with optional long handle
- Suitable for all types of rear axle steering



### WARNING

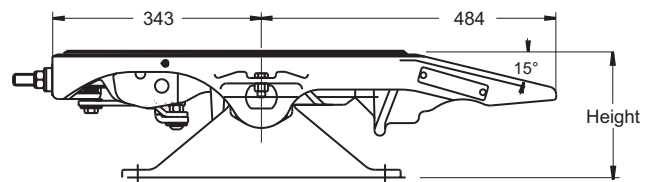
Mounting must be carried out in accordance with Holland instructions



### WARNING

The load limits given are valid for operation on paved roads and under conditions prevailing in Europe. For alternative conditions please consult Holland

### ISO BRACKET MOUNTING

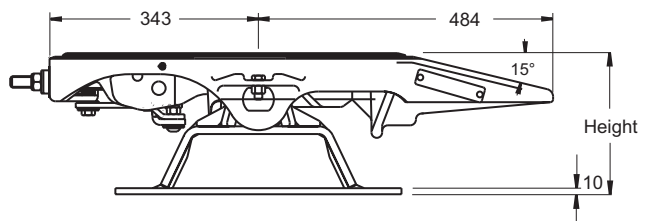


Part Number*	Height	Weight
FW3410-150	150mm	135 kg
FW3410-180	180mm	139 kg
FW3410-200	200mm	142 kg

\* add suffix -XL for version with long handle

### WEIGHTSAVER MOUNTING

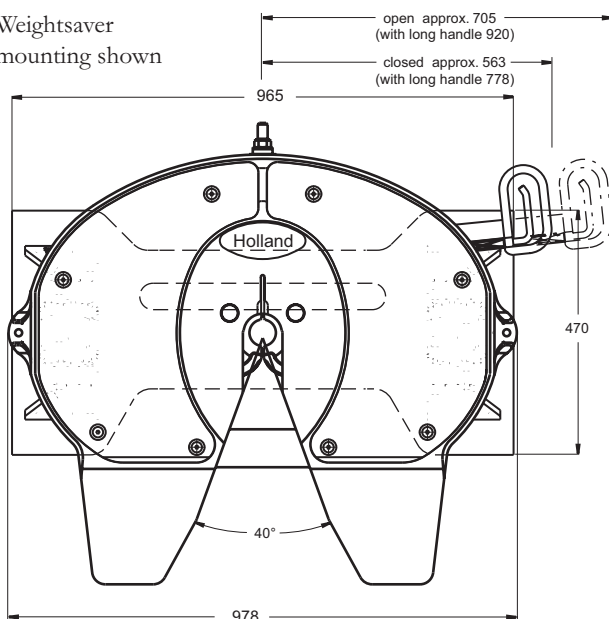
Combined mounting brackets and mounting plate resulting in weight reduction and easier installation



Part Number*	Height	Weight
FW3410-140	140mm	158 kg
FW3410-160	160mm	160 kg
FW3410-190	190mm	163 kg
FW3410-230	230mm	166 kg

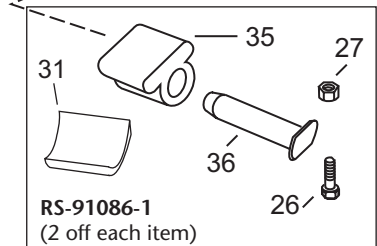
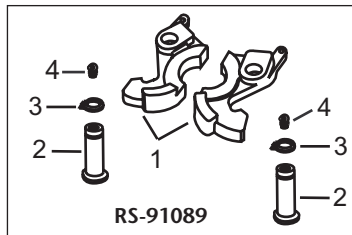
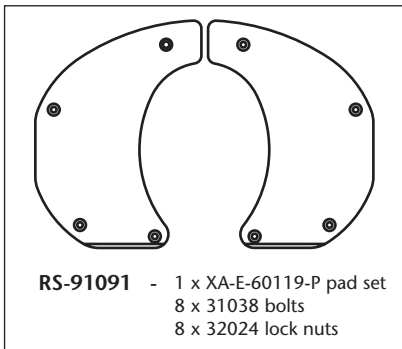
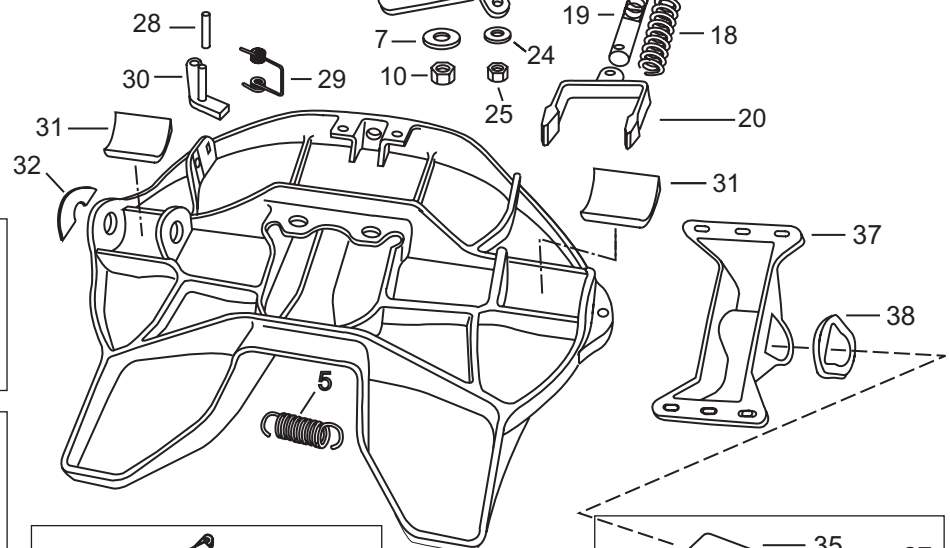
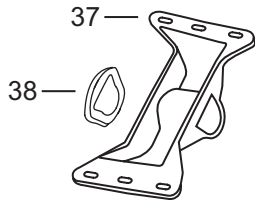
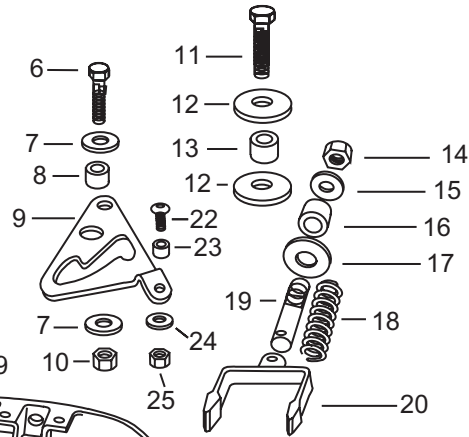
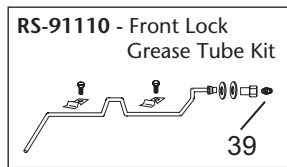
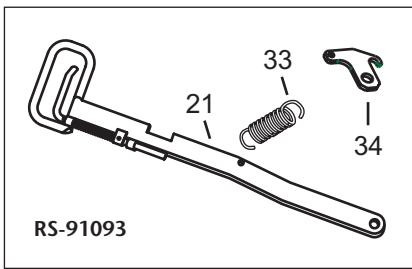
\* add suffix -XL for version with long handle

Weightsaver mounting shown



Holland reserves the right, without prior notice, to change specifications and dimensions

# FW3410 FIFTH WHEEL - SPARE PARTS



Item	Part No.	Qty	Description	Item	Part No.	Qty	Description
1	* XA-07296-KTL	1	Lock Jaw Set	22	* 31040	1	Socket Head Screw
2	* XA-07292-82	2	Lock Pin	23	* XA-03082	1	Bushing
3	* 38027	2	Retaining Ring	24	* 33031	1	Washer
4	* 38028	2	Grease Fitting	25	* 32001	1	Lock Nut
5	* XB-07628-KTL	1	Extension Spring	26	31041	2	Bolt
6	* 31039	1	Hex Head Cap Screw	27	32001	2	Locknut
7	* XB-76004	2	Washer	28	* XB-21-S-500-2750	1	Roll Pin
8	* XA-1029	1	Roller	29	* XB-2149-KTL	1	Torsion Spring
9	* XA-07150-R-KTL	1	Camplate	30	* XA-3542-R-KTL	1	Secondary Lock
10	* 32001	1	Locknut	31	XB-10210	2	Pocket Insert
11	* XB-CX-58-F-134	1	Hex Head Cap Screw	32	XB-07610	1	Tag
12	* XB-07431-KTL	2	Washer	33	* XB-05679-2	1	Extension Spring
13	* XA-1507	1	Roller	34	* XA-09645-KTL	1	Spring Mount
14	* XB-HNH-34-F	1	Locknut	35	XB-0011-3	2	Rubber Cushion
15	* 33034	1	Washer	36	XE-06356-KTL	2	Bracket Pin
16	* XB-1127	1	Rubber Washer	37	XD-04942-KTL	2	ISO Bracket - 150mm
17	* XB-02312	1	Lock Adjustment Tag		XD-04943-KTL	2	ISO Bracket - 180mm
18	* XB-1505-KTL	1	Compression Spring		XD-04944-KTL	2	ISO Bracket - 200mm
19	* XA-1706	1	Yoke Shaft	38	XB-60144	2	Rubber Washer (With ISO bracket only)
20	* XA-07295-KTL	1	Yoke				
21	* XA-09437	1	Handle	39	XB-H-38	1	Grease Fitting
	* XA-09752	1	Long Handle (not shown)				
	* RK-3510-R		Full Overhaul Kit		RS-91093		Handle Kit Complete (Replaces XA-60114 Handle)
	RS-91089		Lock Repair kit		RS-91098		Handle Kit Complete (With optional long handle)
	RS-91086-1		Cushion Kit with Poc. Inserts				
	RS-91091		Replacement Pad Set				
	RS-91110		Front Lock Grease Tube Kit				



**SAF-HOLLAND GmbH**  
Hauptstraße 26  
D-63856 Bessenbach, Germany  
Phone: +49 (0) 6095-301302  
Fax: +49 (0) 6095-301200

**HOLLAND EUROHITCH Ltd.**  
Hoo Farm Ind. Est. Worcester Rd.  
Kidderminster, Worcs. DY11 7RA, UK  
Phone: +44 (0) 1562-732010  
Fax: +44 (0) 1562-732020

**HOLLAND EUROPE GmbH**  
Altenkamp 9, D-33758  
Schloss Holte-Stukenbrock, Germany  
Phone: +49 (0) 5207-89560  
Fax: +49 (0) 5207-895656