

SAF Axles with KNORR Disc Brakes with the SAF identification SBK 2243, \bar{A} Disc: 430mm

In the course of product development, the KNORR disc brake with the SAF identification SBK 2243 has been revised. The brake identification and TDB Numbers remain unchanged.

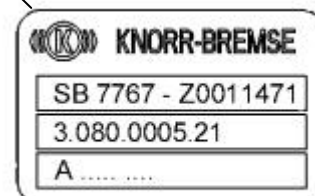
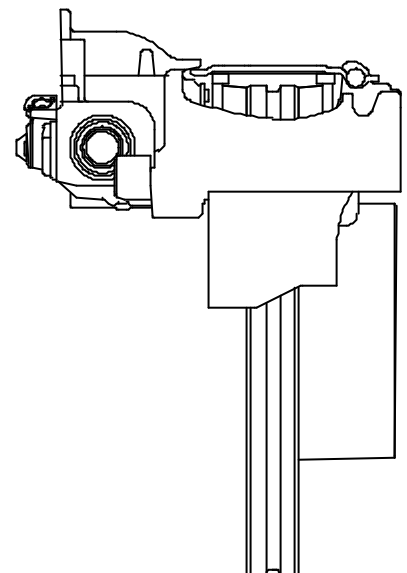
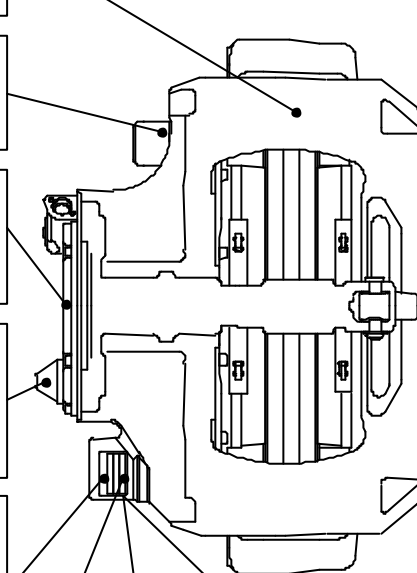
Brake Parts:

Version	up to march 2002	from march 2002
Brake	3 080 0004/0005 21	3 080 0030/0031 20
Brake Assembly	3 077 0183/0184 01	3 077 0183/0184 02

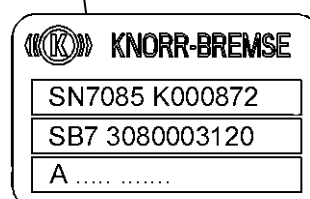
The axle and suspension identification numbers will not be changes. The new brake can be used instead of the old type for spare requirements. Axles with old and new brakes may be mounted in the same trailer.

The Advantages are:

- **Mono block caliper instead of a separate Housing:**
 - compact construction
 - weight reduction
 - double insulation to the interior
- **Improved rust protection and improved wear-resistant of the movable bearing**
- **Optimised sealing of the interface brake caliper/ brake chamber :**
 - rubber seal membrane on the brake chamber interface
- **Optimised backing equipment:**
 - Exchangability of the backing equipment at the adjustment (hex)
 - Service-friendly cap for the closure of the backing equipment
- **Improved protection and longer life for the fixed bearing:**
 - Integrated fixed bearing cover in housing
 - Pressed in closure cover
 - Good emergency running properties through additional sealing lip in the inner fixed bearing bellow
- **Optimised Service-Friendliness**
 - Same bolts for movable and fixed bearing
- **Exchangable**
 - Certificate/TDB numbers remain unchanged
 - Exchangability guaranteed for calipers



Identification plate information example OLD



Identification plate information example NEW