

HOLLAND LANDING GEAR

HOLLAND
HLD 25 / HLD 30
LANDING GEAR



THE NEW BENCHMARK FOR LIFTING PERFORMANCE.

The HOLLAND HLD 25/30 Landing Gear merges proven engineering technology with quality and durability to create a new standard in landing gear performance. From the smooth shifting and reliability of the patented Constant Mesh gearbox design, to the durability and toughness of the exclusive FloatingNut™ with Twin-Bulkhead construction; the HLD 25 / 30 offers a landing gear that was built to carry on the Holland name and tradition of trouble-free performance and exceptional value for years to come.

RUGGED DURABILITY. EASY OPERATION.

- Constant Mesh Gearbox Design Provides Trouble-Free Shifting
- High-Strength Ductile Iron Gears
- Exceeds All AAR M-931 and All TTMA RP-4 Performance Specifications
- Standard One Year Guarantees Available
- Reduced Weight with Increased Structural Integrity

SAF-HOLLAND TEST LAB

AW-XM has established a performance test lab and a chemical/mechanical test lab. According to the USA AAR standard, AW-XM has established the performance Test Lab which includes Durability Tester/ Lift Capacity Tester, Static Load/Component Strength Tester, Side Load (Bending) Tester, Simulate Drop Tester etc. AW-XM has established the Chemical/ Mechanical test Lab in order to control and evaluate the rust resistant of surface treated parts. The test labs mentioned above have played an important role in R&D product, performance test and improvement of products, the analysis and evaluation of FMEA and quality control.



SAF-HOLLAND Group

LANDING GEAR

STRENGTHENED MOUNTING PLATE*

Lengthened mounting plate which is made of high strength steel, enhanced side load capability.

*HLD 25 length of mounting plate is 350 mm.

HLD 30 length of mounting plate is 430 mm



STANDARD, HIGH QUALITY SHAFT SEALS

Specially designed shaft seals within gearbox and upper housing keep water out and grease in.

DURABLE UPPER & LOWER LEG HOUSINGS

Upper & lower housings manufactured from high strength 80,000 lb. yield steel

FOOT OPTIONS

Variety of foot options and other accessories available.

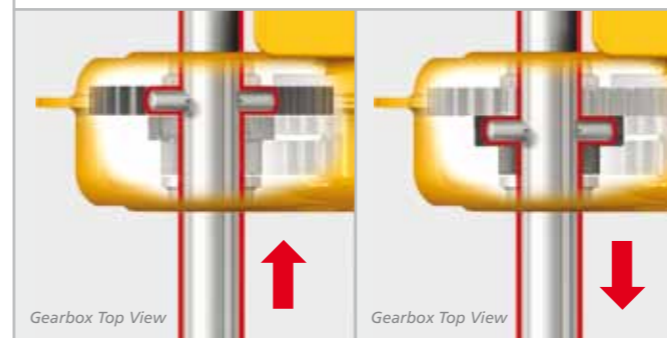
WEIGHT

	HLD 25	HLD 30
17" STD Sandshoe	75.7 kg	85 kg
17" STD Sandshoe accessories	82.7 kg	92 kg
19" STD Sandshoe	79 kg	90 kg
19" STD Sandshoe with accessories	86 kg	97 kg

PATENTED* CONSTANT MESH GEARBOX DESIGN



Eliminates high-to-low shifting problems common to traditional landing gear. Using a crankshaft with a roll pin, only the crankshaft moves to engage the drive gears. No in-or-out movement of drive gears is required-keeping the gears constantly meshed. This design not only provides smooth shifting under loaded conditions, but also prevents slip cranking and difficult high-to-low shifting in cold weather.



Gearbox Top View
CRANKSHAFT ENGAGED IN HIGH DRIVE GEAR

Gearbox Top View
CRANKSHAFT ENGAGED IN LOW DRIVE GEAR

* Patent Numbers. 4,923,175 & 6,099,016

PATENTED* FLOATINGNUT™ WITH TWIN-BULKHEAD



The FloatingNut™ protects the elevating screw and threads from excessive side loading caused by dock-walk – damage which can cause poor cranking performance or binding. Unique Twin-Bulkheads, above and below the FloatingNut™, further increase structural resistance to side-load forces when landing gear legs are fully extended.

SPECIFICATIONS

GEARING & CAPACITY

	HLD 25	HLD 30
Lifting height /	5.6 mm	5.6 mm
Lifting Height / Turn (Low Gear)	0.66 mm	0.66 mm
Lifting capacity	25.0T	30.0T
Side Load	13.6T	15.4T
Vertical Static Load	77.0T	80.0T

LIFTING CAPACITY

Lifting Weight	HLD 25 / 30
15 T	18.3 Kg
18 T	22.0 Kg
22 T	27.0 Kg
25 T	30.6 Kg
28 T	34 Kg
30 T	37 Kg

OPTIONAL RCF

REMOVABLE CUSHION FOOT

SAF-HOLLAND offers an optional, patented removable cushion foot (RCF) on the HLD 25 / HLD 30 Landing Gear Series. A proven, innovative landing gear foot that has won the respect and recognition of our industry.

The RCF footwear option utilizes a heavy duty rubber cushion that absorbs 50 % more shock than conventional footwear.

HLD 25 / HLD 30 landing gear equipped with RCF footwear meets all AAR and TTMA performance specifications. And even provides a 1.36 kg per landing gear set weight savings over the previous cushion foot design.



The RCF feature allows easy removal of a damaged foot by simply extracting a single bolt. No cutting or welding is required.

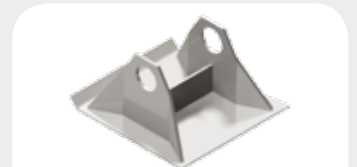
LANDING GEAR ACCESSORIES & FOOTWEAR OPTIONS



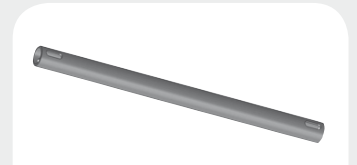
REMOVABLE CUSHION FOOT



STANDARD SAND SHOE



HEAVY DUTY SAND SHOE



SHAFTS AND BRACES

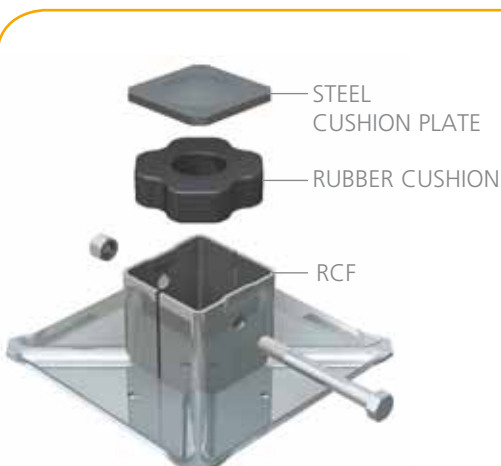


HAND CRANKS



CRANK HANGERS

All landing gear accessories & footwear options can be found in the Aftermarket Landing Gear Optional Parts and Accessories Guide (XL-AM10013PM)

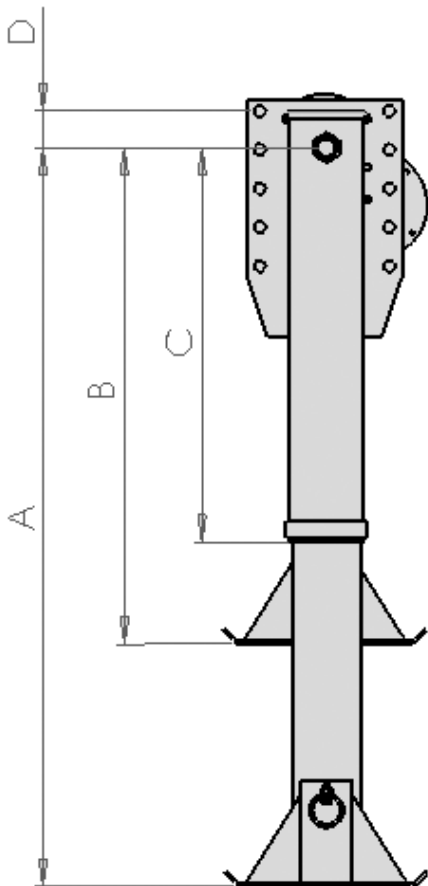


RCF technology simply transmits the shock from the entire load in compression from steel-to rubber-to-steel. That means reduced wear and damage to the cargo, trailer, and landing gear.

SAF-HOLLAND LANDING GEAR ORDERING INFORMATION

EXAMPLE: **H25 A 2 K - 7 0 0 0 - 00 000**

LG Series		Type of Installation		Shafts		Footware		Travel		Assy.		Retract Tube		Grease		Special Requirement Code		Accessory No.		
Model	Type	No.	Description	No.	Description	No.	Description	No.	Description	No.	Description	No.	Description	No.	Description	0	0	0	0	0
H25	HLD25	A	STD (54.1)	0	STANDARD	V	WITH S FOOTWARE (LG2861)	1	SPECIAL	0	SETS	0	STANDARD	0	STANDARD	Please contact SAF-HOLLAND				
H30	HLD30	B	STD (61.5)	1	REVERSE		(must use retract tube code "E")	3	13.5"	1	LEFT HAND	9	SPECIAL	9	STANDARD					
		C	STD (82.5)	2	1-BEAM 6.5" DIM	0	NO FOOTWARE	5	15.5"	2	RIGHT HAND	E	WITH S FOOTWARE							
		D	SPECIAL (54.1)	8	SPECIAL	1	STD. -SANDSHOE 10x10x4.5	7	17"											
		E	SPECIAL (61.5)	9	CONVENTIONAL (STANDARD)	2	STD. -SANDSHOE 12x10x4.5	9	19"											
		F	SPECIAL (82.5)	C	1-BEAM 2.5" DIM	3	STD. -SANDSHOE 10x10x2													
						4	STD. -SANDSHOE 12x10x2													
						7	9" DIA WHEEL-SOLID AXLE													
						A	RCF NO FOOTWARE													
						K	SANDSHOE-HEAVY DUTY 10x10x4.5													
						L	SANDSHOE-HEAVY DUTY 10x10x2													



DIMENSIONS

	EXTENDED LENGTH (A)	RETRACTED LENGTH (B)	UPPER LEG (C)	UPPER HOLE TO THE AXLE (C)
4.5" SANDSHOE				
14 Travel (14.0")	1	731	581	54.1 61.5 82.5
17 Travel (17.0")	1225	794	645	54.1 61.5 82.5
19 Travel (19.4")	1350	858	695	54.1 61.5 82.5
2.0" SANDSHOE				
14 Travel (14.0")	1026	669	581	54.1 61.5 82.5
17 Travel (17.0")	1163	732	645	54.1 61.5 82.5
19 Travel (19.4")	288	796	695	54.1 61.5 82.5





SAF's history begins in 1881 in a village forge in Germany with the invention of a new plough. The family business soon starts building steel axles for agricultural vehicles, and under the name Otto Sauer Achsenfabrik (SAF) develops into one of the leading manufacturers of trailer axles and suspension systems in Europe.

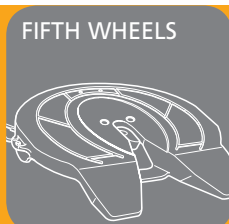
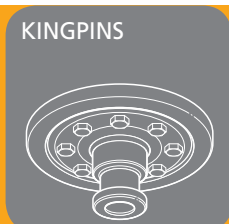
A safety coupling between plough and horse team can be found at the beginning of Holland's history. The Safety Release Clevis Company was founded in South Dakota, USA, in 1910. After its move to Holland, Michigan, the company emerges as one of the largest supplier companies to the commercial vehicles industry under the name The Holland Hitch Company.

The merger of the two companies to form SAF-HOLLAND in 2006 creates one of the leading global suppliers of high-quality components and services for the commercial vehicle industry. Alongside axle and suspension systems for trailers and semi-trailers, the product range also includes kingpins and landing gear as well as fifth wheels for tractors, air suspensions, coupling products and numerous other components for buses and trucks.

In 2008, SAF-HOLLAND takes over Georg Fischer Verkehrstechnik, a leading supplier to the commercial vehicle industry, expanding its product range with GF fifth wheels and kingpins as well as the TRILEX wheel system and accessories for tractors, semitrailers and trailers.

Today the SAF-HOLLAND group is represented on all continents and distributes its products and services worldwide under the brand names SAF and HOLLAND as well as GF, TRILEX and NEWAY. It possesses its own distribution network with global service and dealer locations.

HIGH QUALITY COMPONENTS AND SYSTEMS FOR THE COMMERCIAL VEHICLE INDUSTRY



EUROPE · NORTH AMERICA · SOUTH AMERICA · AFRICA · ASIA · AUSTRALIA

SAF-HOLLAND (XIAMEN) CO. LTD.

Shanghai Branch · Room 1006A · Harbour Ring Plaza #18
Xi Zang Middle Road · Shanghai 200001 · China
Phone +86 21 5385 2275 · Fax +86 21 5385 2251
info@safholland.cn

SAF-HOLLAND (Xiamen) Co. Ltd.

DongFu Road #1599 · DongFu Industrial Zone
Haicang District · Xiamen 361027 · China
Phone +86 592 6288 891 · Fax +86 592 6288 892
info@safholland.cn

www.safholland.cn

