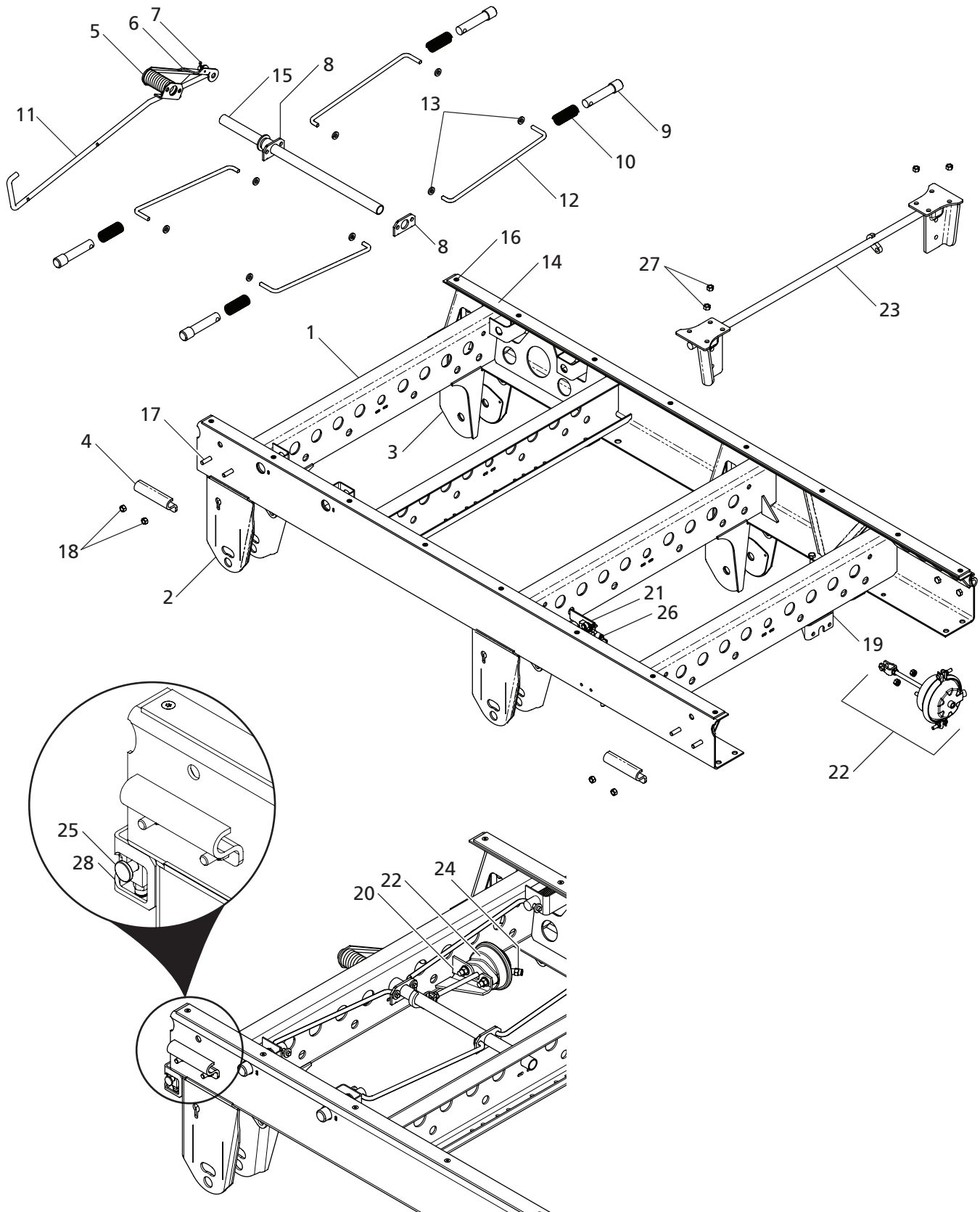


SAF ●

CBXA40 SERVICE PARTS

CBXA40 AEROBEAM SLIDER AIR SUSPENSION/AXLE SYSTEM
OEM QUALITY REPAIR KITS AND PARTS

CBXA40 AeroBeam Slider Box Exploded View

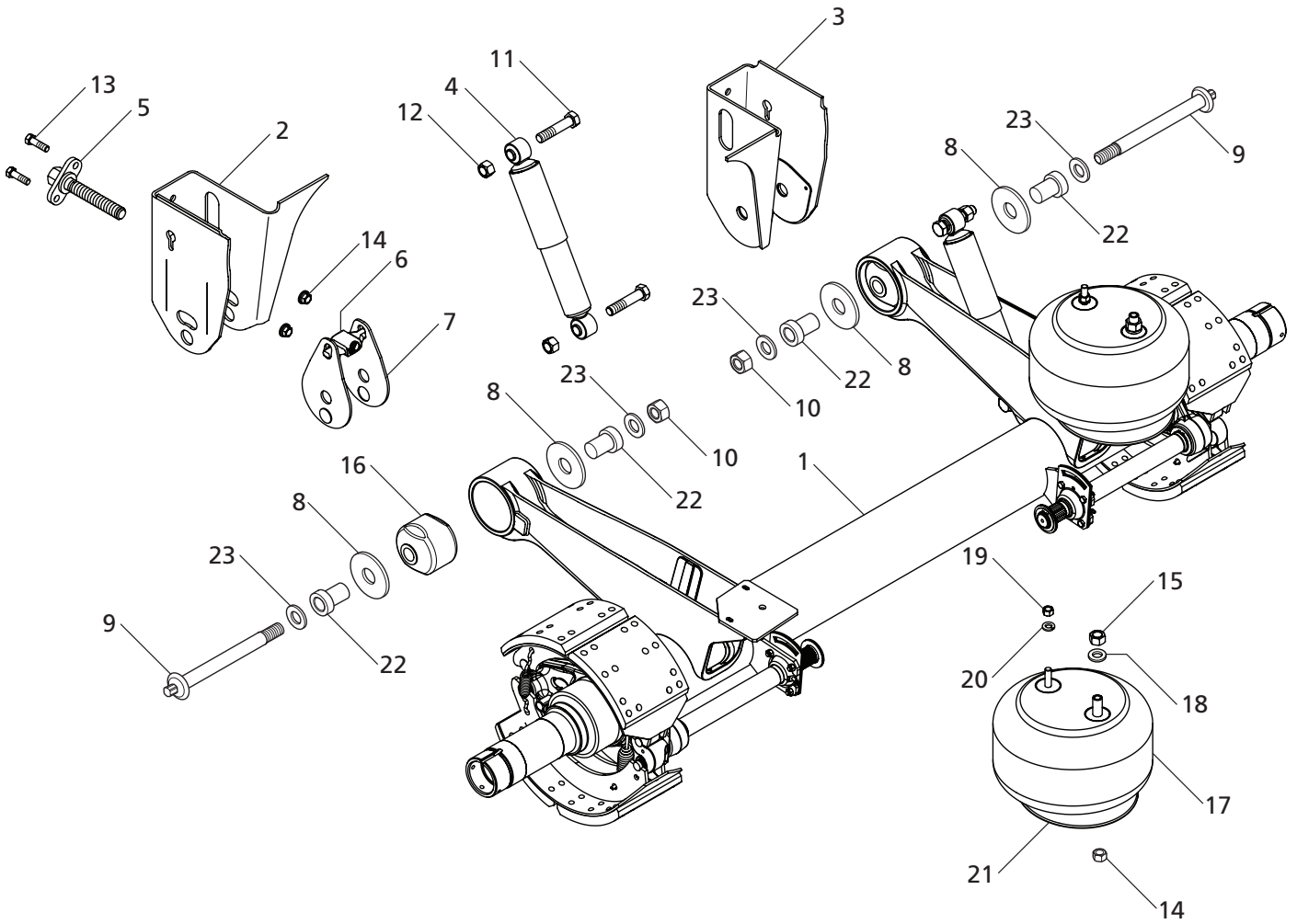


ITEM	DESCRIPTION	PART NUMBER	QTY. / AXLE	WEIGHT LBS. [KG]
1	Slider System	Contact SAF-HOLLAND	1	N/A
2	Frame Bracket, Swing Align - LH	90027002	2	16.28 [7.38]
3	Frame Bracket, Fixed - RH	90618226	2	19.40 [8.80]
4	Hold Down Bracket	90015150	4	2.30 [1.04]
5	Torsion Cam	SL0A1277-01	1	7.23 [3.28]
6	Washer, 0.41" I.D. x 0.81" O.D.	XB-PW-016-08	1	0.03 [0.01]
7	Cotter Pin .016" x 1.50"	XB-CTP-014-59	1	0.01 [0.00]
8	Cam Plate	SL0A1274	2	0.37 [0.17]
9	Pin, Lock (Binkley/TTMA)	SL0A1238	4	1.92 [0.87]
	Pin, Lock (Hutch)	SL0A1261	4	2.15 [0.98]
10	Spring, Compression	XB-SPG-020-35	4	0.25 [0.11]
11	Arm, Pull - 42" 34.25"	SL0A1445-02	1	3.56 [1.61]
	Arm, Pull - 48" 37.25"	SL0A1445-01	1	3.79 [1.72]
	Arm, Pull - 54" 40.25"	SL0A1445-03	1	4.21 [1.91]
12	Arm, Linkage - 42"	See Chart #1	4	N/A
	Arm, Linkage - 48"	See Chart #1	4	N/A
	Arm, Linkage - 54"	See Chart #1	4	N/A
13	Washer, Flat 0.19" I.D. x 0.52 O.D.	XB-PW-016-85	16	0.02 [0.01]
14	Block, Slide "Wear Pad"	XB-SL0A1054	2	1.58 [0.72]
15	Spacer, Tube 1.25"	SL0523-07	1	0.24 [0.11]
16	Screw .32" - 18 x 0.75" Flat HD	XB-STS-008-16	8	0.02 [0.01]
17	Cap Screw, Hex HD 0.50" - 13 x 1.75" Long GR 5	XB-HHC-001-33	8	0.11 [0.05]
18	Nut, Hex 0.50" - 13 GR B	XB-SLN-012-42	8	0.03 [0.01]
19	Bracket, Brake Chamber	SL0A1230	1	0.76 [0.34]
20	Bracket, Spring Brake	90026227	1	1.40 [0.64]
21	Bracket, HCV Mounting	90034541	1	0.60 [0.27]
22	Spring Brake Service Chamber for Pin Release	90548040	1	4.32 [1.96]
	Spring Brake Service Chamber for PosiLok	90548040	1	4.32 [1.96]
23	PosiLok Assembly - 16" Ride Height	90549628	1	28.00 [12.7]
	PosiLok Assembly - 16.5" Ride Height	90549629	1	28.60 [12.97]
	PosiLok Assembly - 17" & 18" Ride Height	90549630	1	29.10 [13.20]
24	Connector, Male PTC	93800329	1	0.01 [0.00]
25	Air Release Valve	90560012	1	0.81 [0.37]
26	Height Control Valve (See Page 7)	N/A	1	N/A
27	Nut, Hex 0.50" - 13 GR 8	XB-SLN-012-42	4	0.03 [0.01]
28	Bracket, Valve	SL0A1551	1	1.06 [0.48]

PIN CONFIGURATION (CHART #1)

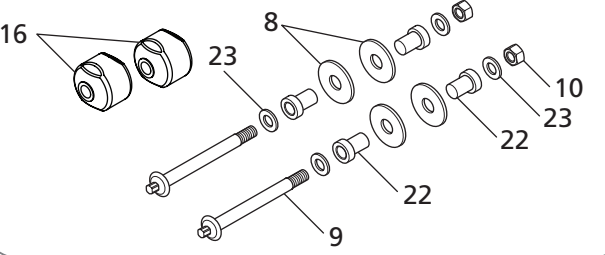
ITEM	PIN CONFIGURATION	SLIDE BOX WIDTH 42"			SLIDE BOX WIDTH 48"			SLIDE BOX WIDTH 54"		
		PART NUMBER	LENGTH	WEIGHT LBS. [KG]	PART NUMBER	LENGTH	WEIGHT LBS. [KG]	PART NUMBER	LENGTH	WEIGHT LBS. [KG]
12	Binkley Inside Shim	SL0A1417-42	14.84"	0.75 [0.34]	SL0A1417-48	17.84"	0.85 [0.38]	SL0A1417-54	20.84"	0.97 [0.43]
12	Binkley Outside Shim/Hutch	SL0A1550-01	14.93"	0.53 [0.24]	SL0A1550	17.96"	0.65 [0.29]	SL0A1550-02	20.96"	0.72 [0.32]

CBXA40 AeroBeam Beam & Axle Exploded View

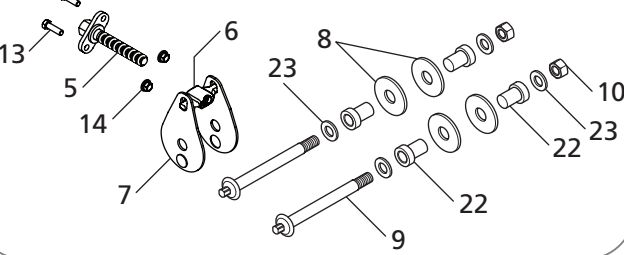


ITEM	DESCRIPTION	PART NUMBER	QTY. / AXLE	WEIGHT LBS. [KG]
1	Beam & Axle Assembly	Contact SAF-HOLLAND	1	N/A
2	Frame Bracket, Swing Align - LH	90027002	1	16.28 [7.38]
3	Frame Bracket, Fixed - RH	90618226	1	19.40 [8.79]
4	Shock - 16" Ride Height	90045298	2	4.91 [2.22]
	Shock - 16.5" & 17" Ride Height	90044162	2	4.85 [2.19]
	Shock - 18" Ride Height	90045040	2	5.19 [2.35]
5	Threaded Rod Assembly	90550387	1	2.34 [1.06]
6	Yoke, Swing Align	90045758	1	1.15 [0.52]
7	Plate, Alignment	90027004	2	1.50 [0.68]
8	Washer 1.14" I.D. x 3.50" O.D. GR8	93600553	4	0.46 [0.20]
9	E20 Head Spline Bolt, 7/8-9UNC 2A x 7.50"	2015100000160	2	1.60 [0.73]
10	Lock Nut, 7/8-9UNC	2061100000260	2	0.18 [0.08]
11	Bolt Hex 0.75" - 10 x 3.50 Long GR5	93006035	4	0.56 [0.25]
12	Nut, Hex 0.75" - 10 GR B	93400492	4	0.12 [0.05]
13	Screw, Hex Cap 0.50" - 13 1.75" Long GR 5 ZC	XB-HHC-001-33	2	0.11 [0.04]
14	Nut, Flange .50" - 13 GR B	93400623	2	0.05 [0.02]
15	Nut, Hex 0.75" - 16 GR B	93400149	2	0.12 [0.05]
16	Pivot Bushing	90008286	2	3.35 [1.51]
17	Air Spring Assembly - 16", 16.5" & 17" Ride Height	90557372	2	11.25 [5.10]
	Air Spring Assembly - 18" Ride Height	90557194	2	30.10 [13.60]
18	Washer, Lock 0.75"	93600077	2	0.04 [0.01]
19	Nut, Hex 0.50" - 13 GR B	93400136	2	0.04 [0.01]
20	Washer, Lock 0.53"	93600072	2	0.01 [0.00]
21	Air Spring Spacer - 0.63" 13.5" Ride Height (not shown)	90036274	2	1.65 [0.74]
	Air Spring Spacer - 1.22" 17" Ride Height (not shown)	90036275	2	3.25 [1.47]
	Air Spring Spacer - 0.25" 18" Ride Height (not shown)	90035024	2	5.50 [2.49]
22	Bolt Collar	2045100000020	4	0.28 [0.13]
23	Washer, 7/8" - TC	2082100000210	4	0.10 [0.05]

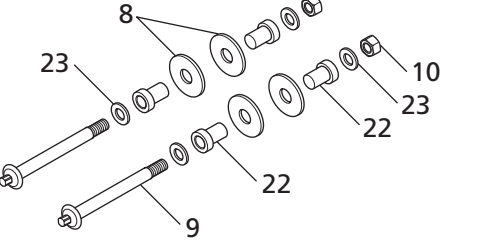
48100698
Pivot Bushing Repair Kit
13.96 lbs [6.33 kg]



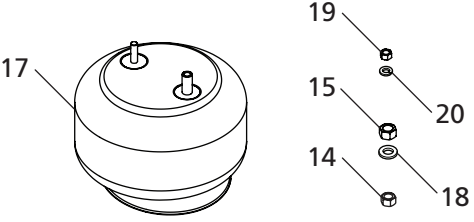
48100699
Swing Align Replacement Kit
13.77 lbs [6.25 kg]



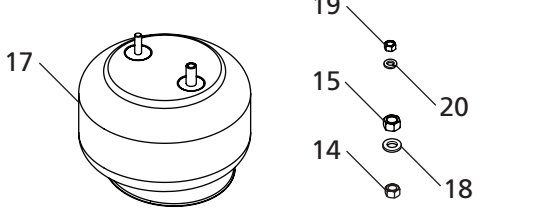
48100700
Pivot Connection Kit
6.96 lbs [3.16 kg]



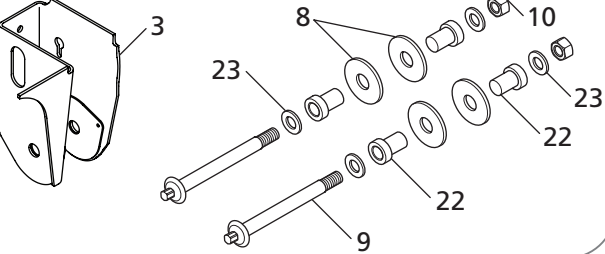
48100650
Air Spring Kit 16", 16.5" & 17" Ride Height
17.50 lbs [7.94 kg]



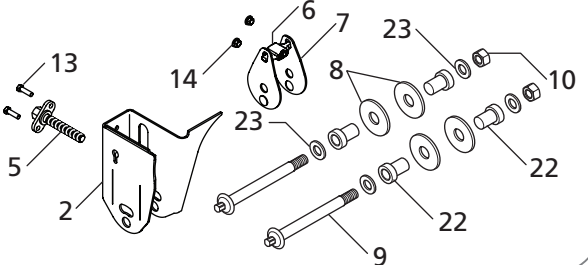
48100651
Air Spring Kit 18" Ride Height
21.30 lbs [9.66 kg]



48100701
Fixed Frame Bracket -RH
22.90 lbs [10.39 kg]



48100702
SwingAlign Frame Bracket - LH
26.59 lbs [12.06 kg]



ITEM	DESCRIPTION	PART NUMBER	QTY. / AXLE	WEIGHT LBS. [KG]
2	Frame Bracket, Swing Align - LH	90027002	1	16.28 [7.38]
3	Frame Bracket, Fixed - RH	90618226	1	19.40 [8.79]
5	Threaded Rod Assembly	90550387	1	2.34 [1.06]
6	Yoke, Swing Align	90045758	1	1.15 [0.52]
7	Plate, Alignment	90027004	2	1.50 [0.68]
8	Washer 1.14" I.D. x 3.50" O.D. GR8	93600553	4	0.46 [0.20]
9	E20 Head Spline Bolt, 7/8-9UNC 2A x 7.50"	2015100000160	2	1.60 [0.73]
10	Lock Nut, 7/8-9UNC	2061100000260	2	0.18 [0.08]
13	Screw, Hex Cap 0.50" - 13 1.75" Long GR 5 ZC	XB-HHC-001-33	2	0.11 [0.04]
14	Nut, Flange .50" - 13 GR B	93400623	2	0.05 [0.02]
15	Nut, Hex 0.75" -16 GR B	93400149	2	0.12 [0.05]
16	Pivot Bushing	90008286	2	3.35 [1.51]
17	Air Spring Assembly - 16", 16.5" & 17" Ride Height	90557372	2	11.25 [5.10]
	Air Spring Assembly - 18" Ride Height	90557194	2	30.10 [13.60]
18	Washer, Lock 0.75"	93600077	2	0.04 [0.01]
19	Nut, Hex 0.50" - 13 GR B	93400136	2	0.04 [0.01]
20	Washer, Lock 0.53"	93600072	2	0.01 [0.00]
22	Bolt Collar	2045100000020	4	0.28 [0.13]
23	Washer, 7/8" - TC	2082100000210	4	0.10 [0.05]

Height Control Valve (HCV)

DESCRIPTION	PART NUMBER	WEIGHT LBS. [KG]
Max-Valve™ HCV - Non Dump	50860013	1.90 [0.86]
Max-Valve™ HCV - Pressure Dump	50860014	2.10 [0.95]
Max-Valve™ HCV - Zero Pressure Dump Normal Flow	50860015	2.00 [0.91]
Max-Valve™ HCV - Zero Pressure Dump Low Flow	50860016	2.00 [0.91]

NOTE: All valves are set up for 0.38" fittings.

NOTE: Do not use the high flow valve when the trailer is equipped with PosiLok™ System.



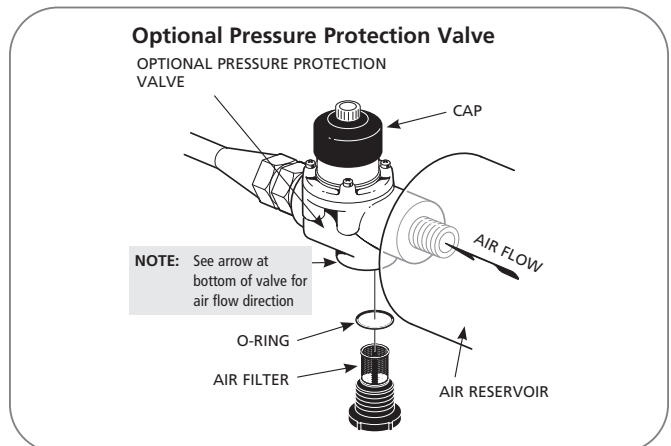
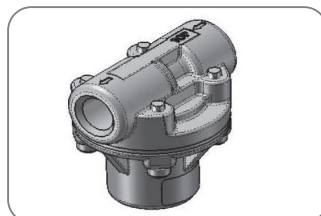
Adjustable Height Control Linkage

DESCRIPTION	PART NUMBER	WEIGHT LBS. [KG]
Adjustable Height Control Linkage Kit	50860006	2.00 [0.91]



Pressure Protection Valve

DESCRIPTION	PART NUMBER	WEIGHT LBS. [KG]
Pressure Protection Valve	90560150	N/A
Optional Pressure Protection Valve	90554107	0.50 [0.23]





TRAILER AXLES AND
SUSPENSION SYSTEMS



COUPLING AND
LIFTING SYSTEMS



SUSPENSIONS FOR
TRUCKS AND BUSES



SUSPENSIONS AND
AXLE SYSTEMS



V. ORLANDI
TOWING
SYSTEMS



TRAILER AXLES/SUSPENSIONS,
COUPLING AND LIFTING
SYSTEMS

safholland.com

SAF-HOLLAND, Inc.
800.876.3929

SAF-HOLLAND Canada Limited
519.537.3494
Western Canada 604.574.7491

SAF-HOLLAND Mexico
52.55.5456.8641