

CBXAN23



CBXAS23



CBXAS25



CBXAS30

**SAF** ●

# CBXA AEROBEAM™ FIXED FRAME SERVICE PARTS

PROVIDING OEM QUALITY REPAIR KITS AND PARTS FOR ALL  
SAF CBXA AEROBEAM FIXED FRAME TRAILER SUSPENSIONS



# PUT THE PAY IN YOUR PAYLOAD.

## CBXAN23 AeroBeam

*The Industry's Lightest Weight  
Trailer Fixed-Frame Air Suspension*



Spec the SAF CBX23 AeroBeam Air Suspension and make your flatbed lighter and more profitable.

Achieve greater profits by weight optimizing your flatbed trailer fleet with the ultra-light, ultra-rugged AeroBeam suspension. You'll boost payload capacity to maximize your profits.

Add safety with the superior stopping power of optional P89 Air Disc Brakes and launch a fleet that can't be beat!



OPTIONAL **P89** Series  
AIR DISC BRAKES

See the model line-up  
[CBXAeroBeam.com](http://CBXAeroBeam.com)

[www.safholland.us](http://www.safholland.us) 800.876.3929

© 2021 SAF-HOLLAND, Inc. All rights reserved.

Follow us on



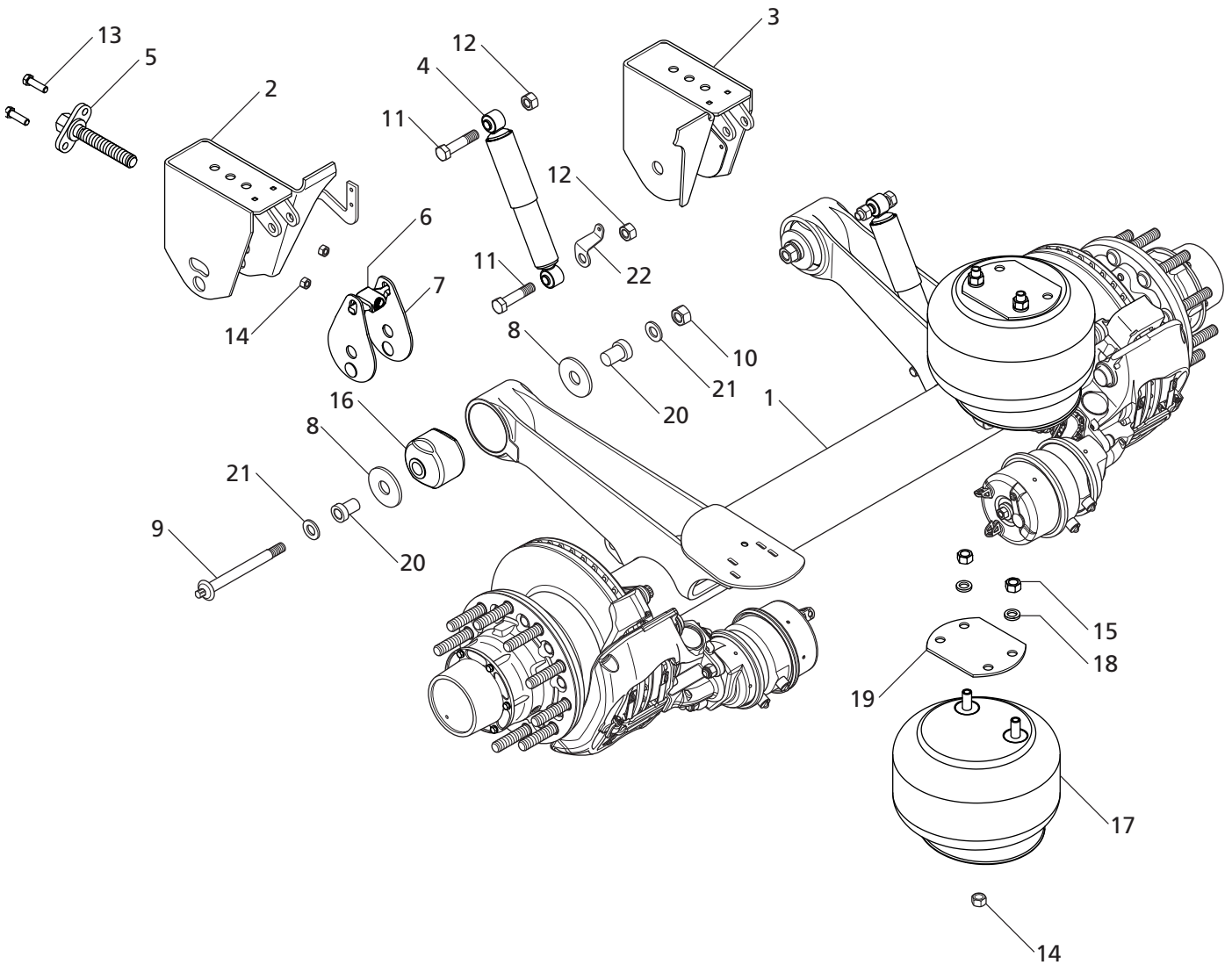
**SAF CBXA AEROBEAM™ SERIES EXPLODED VIEWS AND PARTS LIST**

CBXAN23 AeroBeam™ Fixed Frame Suspension . . . . .4  
 CBXAS23 and CBXAS25 AeroBeam™ Fixed Frame Suspension . . . . .6  
 CBXAS30 AeroBeam™ Fixed Frame Suspension. . . . .8

**SERVICE REPAIR KITS**

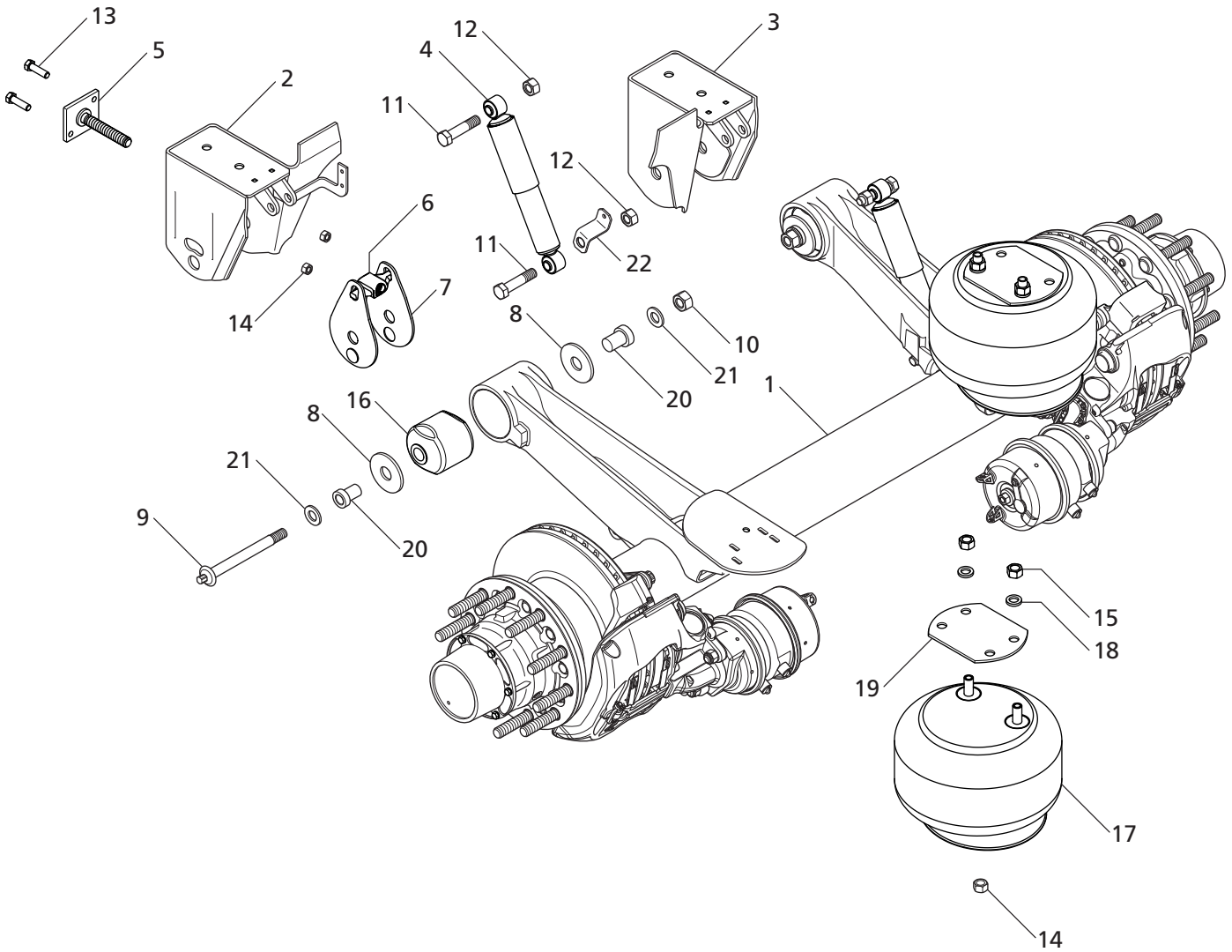
CBXA AeroBeam™ Frame Bracket Charts. . . . .10  
 CBXAN AeroBeam™ Frame Bracket Service Repair Kits . . . . .12  
 CBXAS AeroBeam™ Frame Bracket Service Repair Kits. . . . .13  
 CBXAN AeroBeam™ Service Repair Kits . . . . .14  
 CBXAS AeroBeam™ Service Repair Kits . . . . .15  
 CBXA PosiLift™ Service Repair Kits . . . . .16  
 Height Control Valve Service Repair Kits . . . . .18  
 Quick Reference Guide . . . . .19

# CBXAN23 AeroBeam™ Beam & Axle Exploded View



ITEM	DESCRIPTION	PART NUMBER	QTY. / AXLE	WEIGHT LBS. [KG]
1	Beam & Axle Assembly	Contact SAF-HOLLAND	1	N/A
2	Frame Bracket, SwignAlign - LH	See Chart - Page 10	1	N/A
3	Frame Bracket, Fixed - RH	See Chart - Page 10	1	N/A
4	Shock - 14" Ride Height	90044868	2	4.91 [2.22]
	Shock - 15" Ride Height	90045381	2	4.85 [2.19]
	Shock - 16" Ride Height	90044162	2	5.19 [2.35]
	Shock - 17" Ride Height	90045299	2	4.33 [1.96]
5	Threaded Rod Assembly	90550387	1	2.34 [1.06]
6	Yoke, SwignAlign	90045758	1	1.15 [0.52]
7	Plate, Alignment	90027004	2	1.50 [0.68]
8	Washer 1.14" I.D. x 3.50" O.D. GR8	93600579	4	0.46 [0.20]
9	E20 Head Spline Bolt, 7/8-9UNC 2A x 7.50"	2015100000160	2	1.60 [0.73]
10	Lock Nut, 7/8-9UNC	2061100000260	2	0.18 [0.08]
11	Bolt Hex 0.75" - 10 x 3.50 Long GR5	93006035	4	0.56 [0.25]
12	Nut, Hex 0.75" - 10 GR B	93400492	4	0.12 [0.05]
13	Screw, Hex Cap 0.50" - 13 1.75" Long GR 5 ZC	XB-HHC-001-33	2	0.11 [0.04]
14	Nut, Flange .50" - 13 GR B	93400623	2	0.05 [0.02]
15	Nut, Hex 0.75" -16 GR B	93400149	2	0.12 [0.05]
16	Pivot Bushing	90008286	2	3.35 [1.51]
17	Air Spring Assembly - 14" & 15" Ride Height	90557397	2	11.25 [5.10]
	Air Spring Assembly - 16" Ride Height	90557398	2	13.6 [6.17]
	Air Spring Assembly - 17" Ride Height	90557399	2	14.1 [6.40]
18	Washer, Lock 0.75"	93600077	2	0.04 [0.01]
19	Upper Air Spring Mounting Plate	90034838	2	2.22 [1.01]
20	Bolt Collar	2045100000020	4	0.28 [0.13]
21	Washer, 7/8" - TC	2082100000210	4	0.10 [0.05]
22	Bracket, HCV - Lower	90027291	1	0.16 [0.07]

# CBXAS23-25 AeroBeam™ Beam & Axle Exploded View



ITEM	DESCRIPTION	PART NUMBER	QTY. / AXLE	WEIGHT LBS. [KG]		
1	Beam & Axle Assembly	Contact SAF-HOLLAND	1	N/A		
2	Frame Bracket, SwignAlign - LH	See Chart - Page 11	1	N/A		
3	Frame Bracket, Fixed - RH	See Chart - Page 11	1	N/A		
4	Shock - 14" Ride Height	90044868	2	4.91 [2.22]		
	Shock - 15" Ride Height	90045607	2	4.85 [2.19]		
	Shock - 16" Ride Height	90044669	2	5.19 [2.35]		
	Shock - 17" Ride Height	90045669	2	4.31 [1.95]		
5	Threaded Rod Assembly	90548007	1	3.52 [1.60]		
6	Yoke, SwignAlign	90045491	1	2.54 [1.15]		
7	Plate, Alignment	90531339	2	1.50 [0.68]		
8	Washer 1.14" I.D. x 3.50" O.D. GR 8	93600579	4	0.46 [0.20]		
9	E20 Head Spline Bolt, 7/8-9 UNC 2A x 8.50"	2015100000170	2	1.60 [0.73]		
10	Lock Nut, 7/8-9UNC	2061100000260	2	0.18 [0.08]		
11	Bolt Hex 0.75" - 10 x 3.50 Long GR 5	93006035	4	0.56 [0.25]		
12	Nut, Hex 0.75" - 10 GR B	93400492	4	0.12 [0.05]		
13	Screw, Hex Cap 0.50" - 13 1.75" Long GR 5 ZC	XB-HHC-001-33	2	0.11 [0.04]		
14	Nut, Flange .50" - 13 GR B	93400623	2	0.05 [0.02]		
15	Nut, Hex 0.75" -16 GR B	93400149	2	0.12 [0.05]		
16	Pivot Bushing	90008247	2	3.35 [1.51]		
		<b>CBXAS23</b>	<b>CBXAS25</b>	<b>CBXAS23</b>	<b>CBXAS25</b>	
17	Air Spring Assembly - 14" Ride Height	90557397	90557400	2	12.8 [5.81]	13.5 [6.12]
	Air Spring Assembly - 15" Ride Height	90557398	90557401	2	13.60 [6.17]	14.1 [6.40]
	Air Spring Assembly - 16" & 17" Ride Height	90557399	90557402	2	14.1 [6.40]	14.3 [6.50]
18	Washer, Lock 0.75"	93600077	2	0.04 [0.01]		
19	Upper Air Spring Mounting Plate	90034838	2	1.65 [0.74]		
20	Bolt Collar	2045100000020	4	0.28 [0.13]		
21	Washer, 7/8" - TC	2082100000210	4	0.10 [0.05]		
22	Bracket, HCV - Lower	90027301	1	0.16 [0.07]		





ITEM	DESCRIPTION	PART NUMBER	QTY. / AXLE	WEIGHT LBS. [KG]
1	Beam & Axle Assembly	Contact SAF-HOLLAND	1	N/A
2	Frame Bracket, SwignAlign - LH	See Chart - Page 11	1	16.28 [7.38]
3	Frame Bracket, Fixed - RH	See Chart - Page 11	1	19.40 [8.79]
4	Shock - 14" Ride Height	90044868	2	4.91 [2.22]
	Shock - 15" Ride Height	90045607	2	4.85 [2.19]
	Shock - 16" Ride Height	90044299	2	5.19 [2.35]
	Shock - 17" Ride Height	90045299	2	4.33 [1.96]
5	Threaded Rod Assembly	90548007	1	3.52 [1.60]
6	Yoke, SwignAlign	90045491	1	2.54 [1.15]
7	Plate, Alignment	90531339	2	1.50 [0.68]
8	Washer 1.14" I.D. x 3.50" O.D. GR8	93600579	4	0.46 [0.20]
9	E20 Head Spline Bolt, 7/8-9UNC 2A x 8.50"	2015100000170	2	1.60 [0.73]
10	Lock Nut, 7/8-9UNC	2061100000260	2	0.18 [0.08]
11	Bolt, Hex 0.75" - 10 x 3.50 Long GR5	93006035	4	0.56 [0.25]
12	Nut, Hex 0.75" - 10 GR B	93400492	4	0.12 [0.05]
13	Screw, Hex Cap 0.50" - 13 1.75" Long GR 5 ZC	XB-HHC-001-33	2	0.11 [0.04]
14	Bolt, Hex 0.5" - 13 x 1	93002893	4	0.05 [0.02]
15	Nut, Hex 0.75" -16 GR B	93400149	2	0.12 [0.05]
16	Pivot Bushing	90008247	2	3.35 [1.51]
17	Air Spring Assembly - 14" & 15" Ride Height	90557480	2	19.6 [8.89]
	Air Spring Assembly - 16" & 17" Ride Height	90557479	2	20.5 [9.30]
18	Washer, Lock 0.75"	93600077	2	0.04 [0.01]
19	Air Spring Spacer - 0.63" 13.5" Ride Height (not shown)	90034912	2	1.65 [0.74]
20	Bolt Collar	2045100000020	4	0.28 [0.13]
21	Washer, 7/8" - TC	2082100000210	4	0.10 [0.05]
22	Bracket, HCV - Lower	90027301	1	0.15 [0.07]

## CBXAN23 Frame Brackets

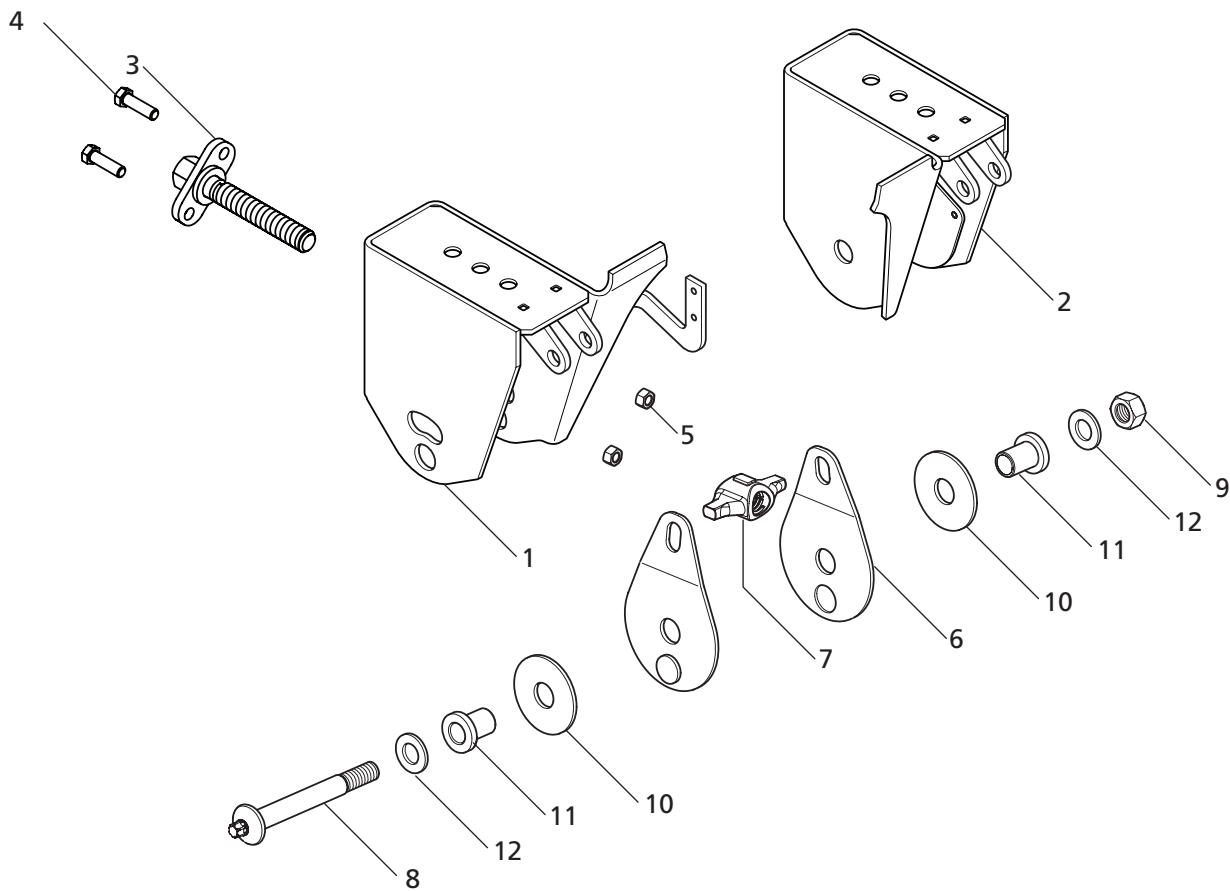
RIDE HEIGHT	STYLE	SIDE	CARBON STEEL (BLACK ARMOUR)	STAINLESS STEEL	
14"	Straight Winged	SwignAlign	90618366	90618354	
		Fixed	90618369	90618357	
	Straight Non- Winged	SwignAlign	90618360	-	
		Fixed	90618363	-	
	Tapered Winged	SwignAlign	90618378	-	
		Fixed	9061381	-	
	Tapered Non-Winged	SwignAlign	90618372	-	
		Fixed	90618375	-	
	15"	Straight Winged	SwignAlign	90618367	90618355
			Fixed	90618370	90618358
Straight Non- Winged		SwignAlign	90618361	-	
		Fixed	90618364	-	
Tapered Winged		SwignAlign	90618379	-	
		Fixed	90618382	-	
Tapered Non-Winged		SwignAlign	90618373	-	
		Fixed	90618376	-	
16" & 17"		Straight Winged	SwignAlign	90618368	90618356
			Fixed	90618371	90618359
	Straight Non- Winged	SwignAlign	90618362	-	
		Fixed	90618365	-	
	Tapered Winged	SwignAlign	90618380	-	
		Fixed	90618383	-	
	Tapered Non-Winged	SwignAlign	90618374	-	
		Fixed	90618377	-	

## CBXAS23 & CBXAS25 Frame Brackets

RIDE HEIGHT	STYLE	SIDE	CARBON STEEL (BLACK ARMOUR)
14"	Straight Winged	SwignAlign	90618390
		Fixed	90618393
	Straight Non- Winged	SwignAlign	90618384
		Fixed	90618387
15"	Straight Winged	SwignAlign	90618391
		Fixed	90618394
	Straight Non- Winged	SwignAlign	90618385
		Fixed	90618388
16" & 17"	Straight Winged	SwignAlign	90618392
		Fixed	90618395
	Straight Non- Winged	SwignAlign	90618386
		Fixed	90618389

## CBXAS30 Frame Brackets

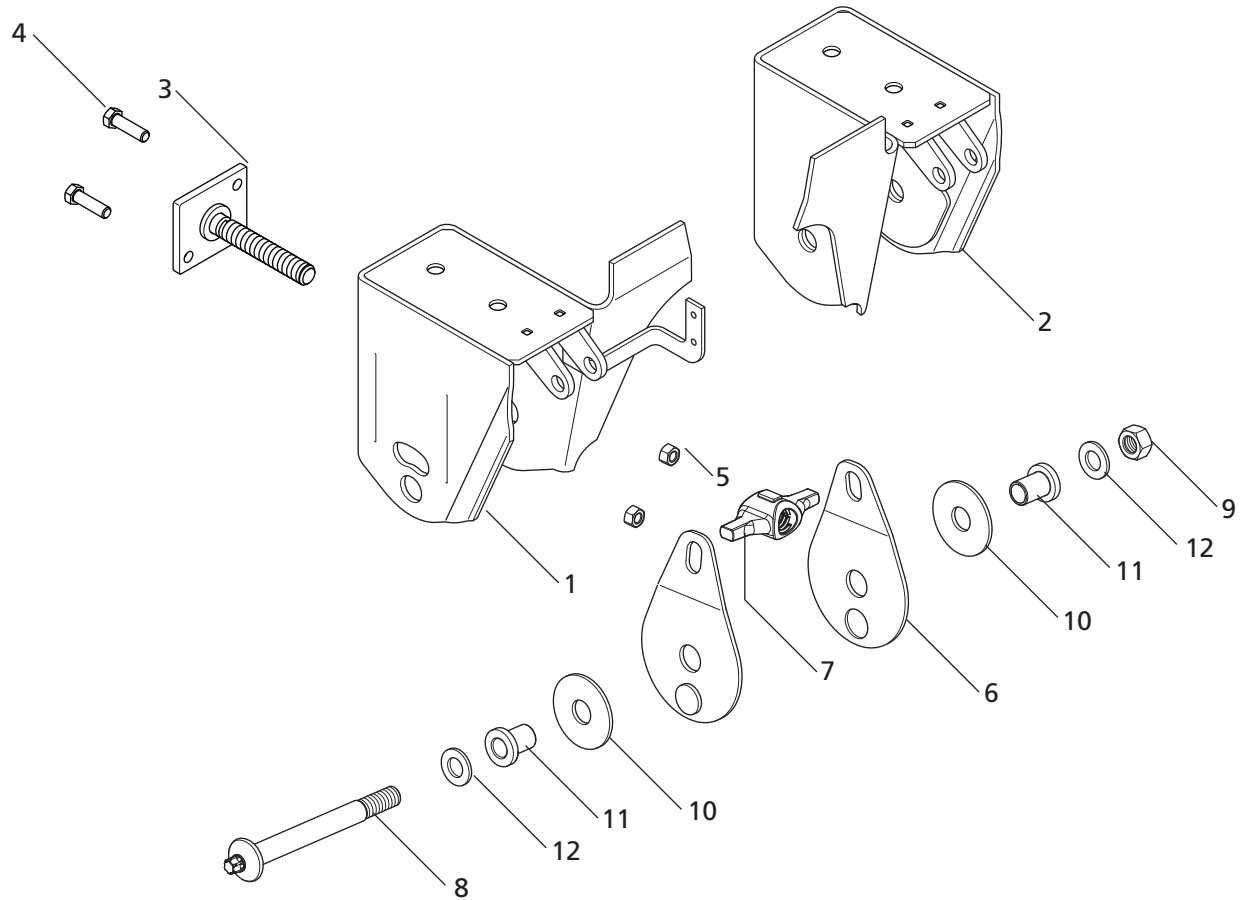
RIDE HEIGHT	STYLE	SIDE	CARBON STEEL (BLACK ARMOUR)
14"	Straight Winged	SwignAlign	90618418
		Fixed	90618423
	Straight Non- Winged	SwignAlign	90618428
		Fixed	90618433
15"	Straight Winged	SwignAlign	90618419
		Fixed	90618424
	Straight Non- Winged	SwignAlign	90618429
		Fixed	90618434
16" & 17"	Straight Winged	SwignAlign	90618420
		Fixed	90618425
	Straight Non- Winged	SwignAlign	90618430
		Fixed	90618435



CBXAN FRAME BRACKET COMPONENTS			
ITEM	DESCRIPTION	PART NUMBER	QTY.
1	Frame Bracket, SwignAlign - LH - CBXAN	See Chart - Page 10	1
2	Frame Bracket, Fixed - RH - CBXAN	See Chart - Page 10	1
3	Threaded Rod Assembly - CBXAN	90550387	1
4	Screw, Hex Cap 0.50" - 13 1.75" Long GR 5 ZC	XB-HHC-001-33	2
5	Nut, Flange .50" - 13 GR B	93400623	2
6	Plate, Alignment	90531339	2
7	Yoke, SwignAlign - CBXAN	90045758	1
8	E20 Head Spline Bolt, 7/8-9UNC 2A x 7.50" - CBXAN	2015100000160	1
9	Lock Nut, 7/8-9UNC	2061100000260	1
10	Washer 1.14" I.D. x 3.50" O.D. GR8	93600579	2
11	Bolt Collar	2045100000020	2
12	Washer, 7/8" - TC	2082100000210	2

CBXAN23 SERIES FRAME BRACKET REPLACEMENT KITS	
SRK	DESCRIPTION
48100760	SwignAlign Bracket Replacement Kit, Winged - 14" Ride Height
48100761	SwignAlign Bracket Replacement Kit, Winged - 15" Ride Height
48100762	SwignAlign Bracket Replacement Kit, Winged - 16" and 17" Ride Height
48100763	Fixed Bracket Replacement Kit, Winged - 14" Ride Height
48100764	Fixed Bracket Replacement Kit, Winged - 15" Ride Height
48100765	Fixed Bracket Replacement Kit, Winged - 16" and 17" Ride Height

**NOTE:** Kits contain parts to replace both sides of axle. Parts for one side shown.

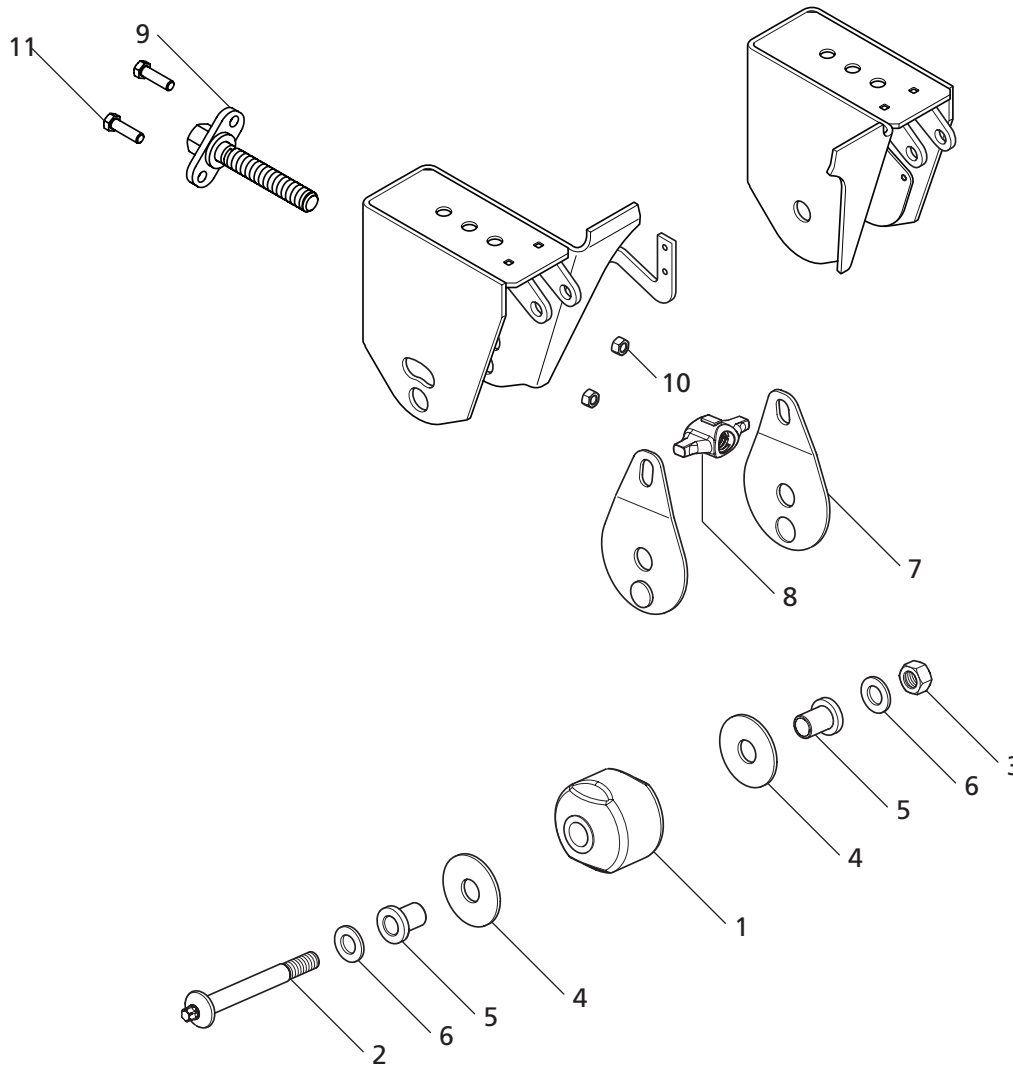


CBXAS FRAME BRACKET COMPONENTS			
ITEM	DESCRIPTION	PART NUMBER	QTY.
1	Frame Bracket, SwignAlign - LH - CBXAS	See Chart - Page 11	1
2	Frame Bracket, Fixed - RH - CBXAS	See Chart - Page 11	1
3	Threaded Rod Assembly - CBXAS	90548007	1
4	Screw, Hex Cap 0.50" - 13 1.75" Long GR 5 ZC	XB-HHC-001-33	2
5	Nut, Flange .50" - 13 GR B	93400623	2
6	Plate, Alignment	90531339	2
7	Yoke, SwignAlign - CBXAS	90045491	1
8	E20 Head Spline Bolt, 7/8-9UNC 2A x 8.50" - CBXAS	2015100000170	1
9	Lock Nut, 7/8-9UNC	2061100000260	1
10	Washer 1.14" I.D. x 3.50" O.D. GR8	93600579	2
11	Bolt Collar	2045100000020	2
12	Washer, 7/8" - TC	2082100000210	2

CBXAS23 AND CBXAS25 SERIES FRAME BRACKET REPLACEMENT KITS	
SRK	DESCRIPTION
48100766	SwignAlign Bracket Replacement Kit, Winged - 14" Ride Height
48100767	SwignAlign Bracket Replacement Kit, Winged - 15" Ride Height
48100768	SwignAlign Bracket Replacement Kit, Winged - 16" and 17" Ride Height
48100769	Fixed Bracket Replacement Kit, Winged - 14" Ride Height
48100770	Fixed Bracket Replacement Kit, Winged - 15" Ride Height
48100771	Fixed Bracket Replacement Kit, Winged - 16" and 17" Ride Height

CBXAS30 SERIES FRAME BRACKET REPLACEMENT KITS	
SRK	DESCRIPTION
48100772	SwignAlign Bracket Replacement Kit, Winged - 14" Ride Height
48100773	SwignAlign Bracket Replacement Kit, Winged - 15" Ride Height
48100774	SwignAlign Bracket Replacement Kit, Winged - 16" and 17" Ride Height
48100775	SwignAlign Bracket Replacement Kit, Winged - 18" Ride Height
48100776	SwignAlign Bracket Replacement Kit, Winged - 19" Ride Height
48100777	Fixed Bracket Replacement Kit, Winged - 14" Ride Height
48100778	Fixed Bracket Replacement Kit, Winged - 15" Ride Height
48100779	Fixed Bracket Replacement Kit, Winged - 16" and 17" Ride Height
48100780	Fixed Bracket Replacement Kit, Winged - 18" Ride Height
48100781	Fixed Bracket Replacement Kit, Winged - 19" Ride Height

**NOTE:** Kits contain parts to replace both sides of axle.  
Parts for one side shown.



**CBXAN SERIES PIVOT BUSHING REPLACEMENT KIT: 48100698**

ITEM	DESCRIPTION	PART NUMBER	QTY.
1	Pivot Bushing	90008286	2
2	E-20 Head Spline Bolt, 7/8-9 UNC 2A x 7.50	2015100000160	2
3	Lock Nut, 7/8-9 - TC	2061100000260	2
4	Washer	93600579	4
5	Collar, Bolt	2045100000020	4
6	Washer, 7/8" - TC	2082100000210	4

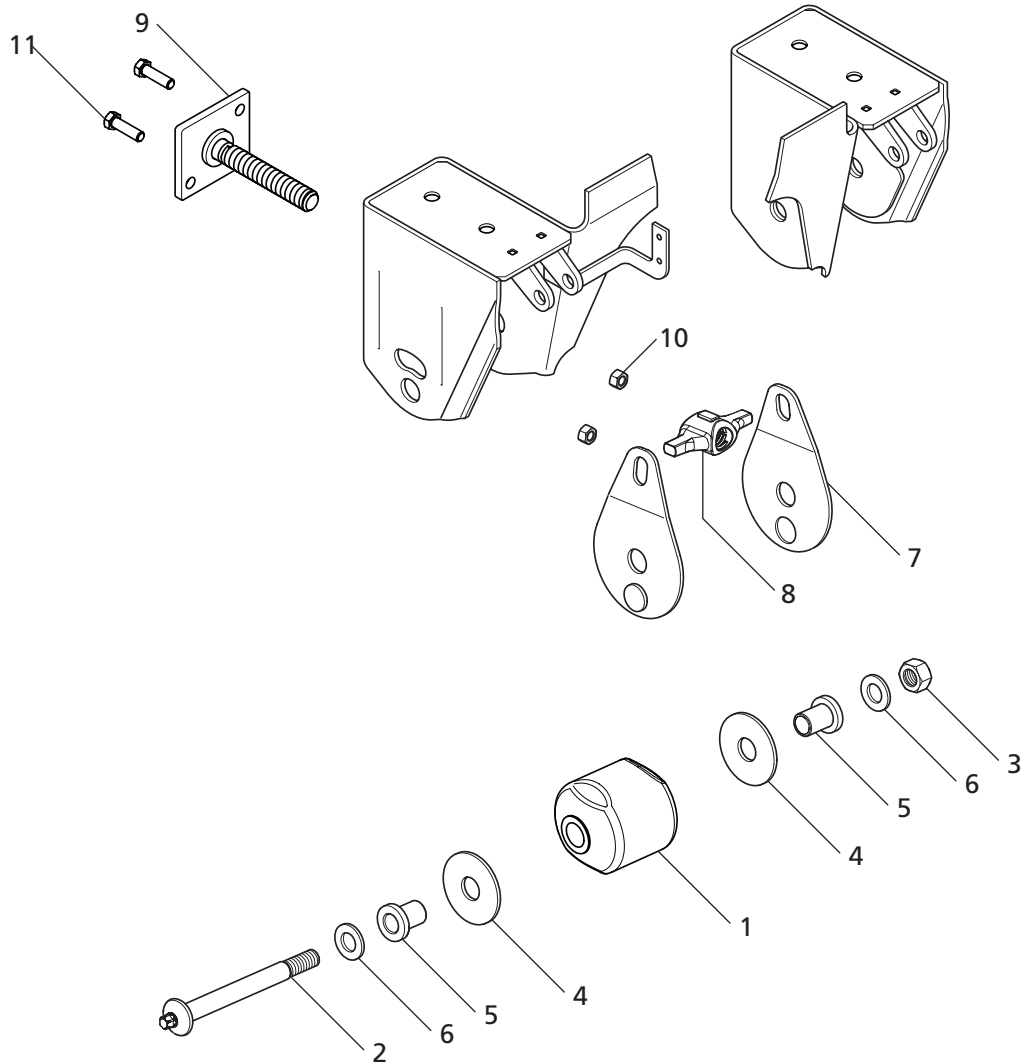
**CBXAN SERIES PIVOT CONNECTION REPLACEMENT KIT: 48100700**

ITEM	DESCRIPTION	PART NUMBER	QTY.
2	E-20 Head Spline Bolt, 7/8-9 UNC 2A x 7.50	2015100000160	2
3	Lock Nut, 7/8-9 - TC	2061100000260	2
4	Washer	93600579	4
5	Collar, Bolt	2045100000020	4
6	Washer, 7/8" - TC	2082100000210	4

**CBXAN SERIES SWINGALIGN REPLACEMENT KIT: 48100699**

ITEM	DESCRIPTION	PART NUMBER	QTY.
2	E-20 Head Spline Bolt, 7/8-9 UNC 2A x 7.50	2015100000160	2
3	Lock Nut, 7/8-9 - TC	2061100000260	2
4	Washer	93600579	4
5	Collar, Bolt	2045100000020	4
6	Washer, 7/8" - TC	2082100000210	4
7	Plate, Alignment	90027004	2
8	Yoke, SwingAlign - Narrow Hanger	90045758	1
9	Threaded Rod Assembly - CBXAN Series	90550387	1
10	Nut, Prev Torque Hex Flange 0.5-13 GR B	93400623	2
11	Cap Screw, Hex HD 0.5-13 x 1.75 GR 5 ZC	XB-HHC-001-33	2

**NOTE:** Kits contain parts to replace both sides of axle.  
Parts for one side shown.

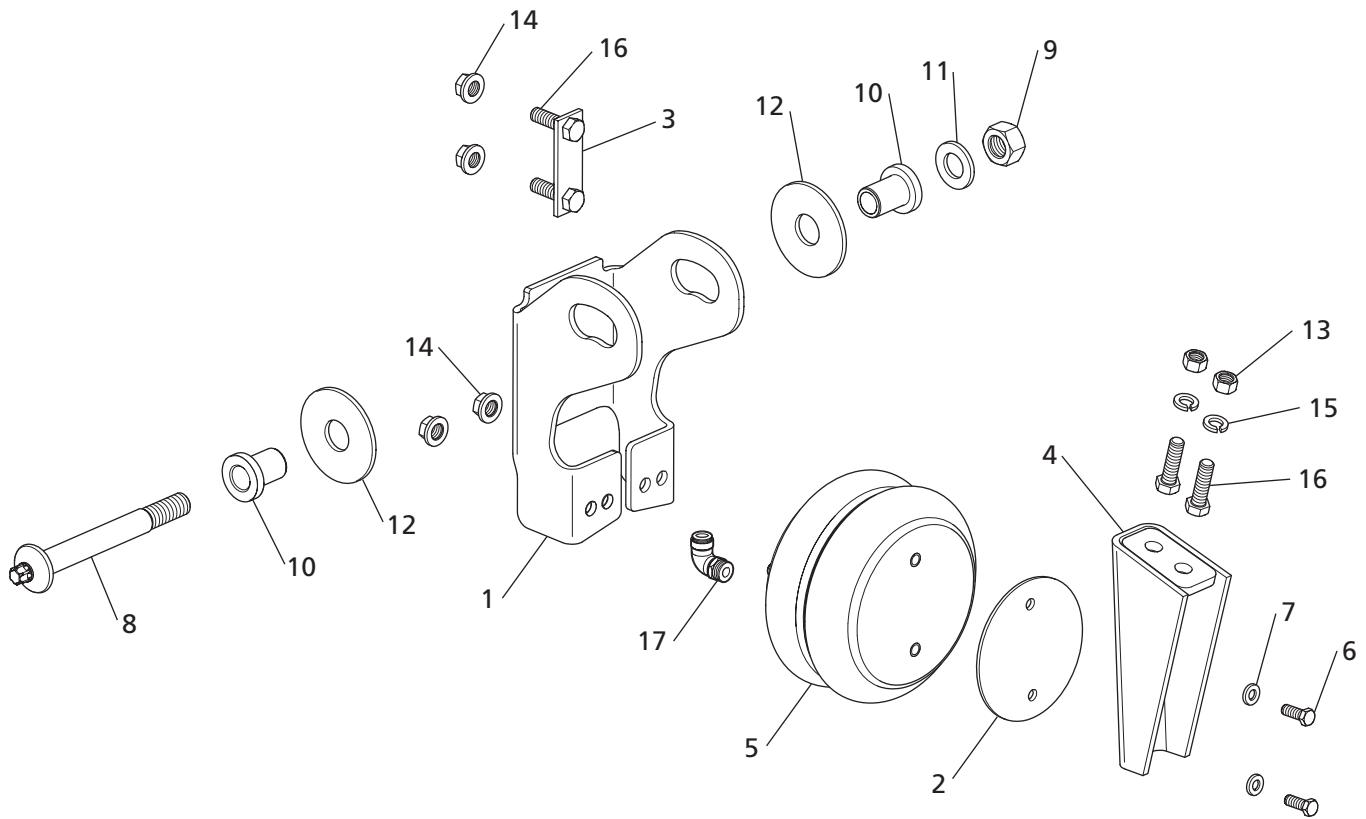


CBXAS SERIES PIVOT BUSHING REPLACEMENT KIT: 48100695			
ITEM	DESCRIPTION	PART NUMBER	QTY.
1	Pivot Bushing	90008247	2
2	E-20 Head Spline Bolt, 7/8-9 UNC 2A x 8.50	2015100000170	2
3	Lock Nut, 7/8-9 - TC	2061100000260	2
4	Washer	93600579	4
5	Collar, Bolt	2045100000020	4
6	Washer, 7/8" - TC	2082100000210	4

CBXAS SERIES PIVOT CONNECTION REPLACEMENT KIT: 48100697			
ITEM	DESCRIPTION	PART NUMBER	QTY.
2	E-20 Head Spline Bolt, 7/8-9 UNC 2A x 8.50	2015100000170	2
3	Lock Nut, 7/8-9 - TC	2061100000260	2
4	Washer	93600579	4
5	Collar, Bolt	2045100000020	4
6	Washer, 7/8" - TC	2082100000210	4

CBXAS SERIES SWINGALIGN REPLACEMENT KIT: 48100696			
ITEM	DESCRIPTION	PART NUMBER	QTY.
2	E-20 Head Spline Bolt, 7/8-9 UNC 2A x 8.50	2015100000170	2
3	Lock Nut, 7/8-9 - TC	2061100000260	2
4	Washer	93600579	4
5	Collar, Bolt	2045100000020	4
6	Washer, 7/8" - TC	2082100000210	4
7	Plate, Alignment	90531339	2
8	Yoke, SwingAlign - Narrow Hanger	90045491	1
9	Threaded Rod Assembly - CBXAS Series	90548007	1
10	Nut, Prev Torque Hex Flange 0.5-13 GR B	93400623	2
11	Cap Screw, Hex HD 0.5-13 x 1.75 GR 5 ZC	XB-HHC-001-33	2

**NOTE:** Kits contain parts to replace both sides of axle. Parts for one side shown.





CBXAN POSILIFT KIT: 48100675			
ITEM	DESCRIPTION	PART NUMBER	QTY.
1	Lift Bracket - Narrow Hanger	90027033	1
2	Plate, Mounting, Air Spring Lift	90035023	1
3	Plate, Lift Mounting	90035026	1
4	Lift Assembly, Beam Mounted	90550388	1
5	Air Spring Assembly	90557366	1
6	Bolt, Hex .38-16 x 1 GR 5	93202571	2
7	Washer, Lock 0.41	93600069	2
8	E-20 Head Spline Bolt, 7/8-9 UNC 2A x 7.50	2015100000160	1
9	Lock Nut, 7/8-9 - TC	2061100000260	1
10	Collar, Bolt	2045100000020	2
11	Washer, 7/8" - TC	2082100000210	1
12	Washer	93600579	2
13	Nut, Hex 0.5-13 GR B	93400136	2
14	Nut, Prev Torque Hex Flange 0.5-13 GR B	93400623	4
15	Washer, Lock 0.53	93600072	2
16	Cap Screw, Hex HD 0.5-13 x 1.75 GR 5 ZC	XB-HHC-001-33	4
17	Fitting, 90 Degree Push-Connect	90060058	1

CBXAS POSILIFT KIT: 48100759			
ITEM	DESCRIPTION	PART NUMBER	QTY.
1	Lift Bracket - Standard Hanger	90027302	1
2	Plate, Mounting, Air Spring Lift	90035023	1
3	Plate, Lift Mounting	90035026	1
4	Lift Assembly, Beam Mounted	90550388	1
5	Air Spring Assembly	90557366	1
6	Bolt, Hex .38-16 x 1 GR 5	93202571	2
7	Washer, Lock 0.41	93600069	2
8	E-20 Head Spline Bolt, 7/8-9 UNC 2A x 8.50	2015100000170	1
9	Lock Nut, 7/8-9 - TC	2061100000260	1
10	Collar, Bolt	2045100000020	2
11	Washer, 7/8" - TC	2082100000210	1
12	Washer	93600579	2
13	Nut, Hex 0.5-13 GR B	93400136	2
14	Nut, Prev Torque Hex Flange 0.5-13 GR B	93400623	4
15	Washer, Lock 0.53	93600072	2
16	Cap Screw, Hex HD 0.5-13 x 1.75 GR 5 ZC	XB-HHC-001-33	4
17	Fitting, 90 Degree Push-Connect	90060058	1

**NOTE:** Kits contain parts to replace both sides of axle. Parts for one side shown.

## Height Control Valve (HCV)

DESCRIPTION	PART NUMBER	WEIGHT LBS. [KG]
Max-Valve™ HCV - Non Dump	50860013	1.90 [0.86]
Max-Valve™ HCV - Pressure Dump	50860014	2.10 [0.95]
Max-Valve™ HCV - Zero Pressure Dump Normal Flow	50860015	2.00 [0.91]
Max-Valve™ HCV - Zero Pressure Dump Low Flow	50860016	2.00 [0.91]

**NOTE:** All valves are set up for 0.38" fittings.

**NOTE:** Do not use the high flow valve when the trailer is equipped with PosiLok™ System.

MAX-VALVE HCV -  
NON DUMP SHOWN



## Adjustable Height Control Linkage

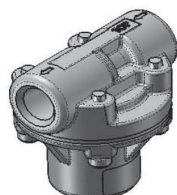
DESCRIPTION	PART NUMBER	WEIGHT LBS. [KG]
Adjustable Height Control Linkage Kit	50860006	2.00 [0.91]



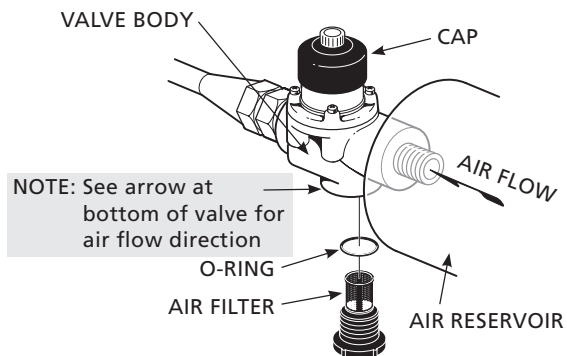
## Pressure Protection Valve

DESCRIPTION	PART NUMBER	WEIGHT LBS. [KG]
Pressure Protection Valve	90560150	N/A
Optional Pressure Protection Valve	90554107	0.50 [0.23]

PRESSURE  
PROTECTION  
VALVE



OPTIONAL PRESSURE PROTECTION VALVE



## SAF CBXA AeroBeam™ Quick Reference Service Kits

KIT DESCRIPTION	SERVICE REPAIR KIT NUMBER	CBXAN23	CBXAS23	CBXAS25	CBXAS30
CBXAN Pivot Bushing Repair Kit	48100698	●			
CBXAS Pivot Bushing Repair Kit	48100695		●	●	●
SwignAlign Replacement Kit	48100699	●			
SwignAlign Replacement Kit	48100696		●	●	●
Pivot Connection Kit	48100700	●			
Pivot Connection Kit	48100697		●	●	●
Fixed Frame Bracket, Winged - 14" Ride Height	48100763	●			
Fixed Frame Bracket, Winged - 15" Ride Height	48100764	●			
Fixed Frame Bracket, Winged - 16" and 17" Ride Height	48100765	●			
Fixed Frame Bracket, Winged - 14" Ride Height	48100769		●	●	
Fixed Frame Bracket, Winged - 15" Ride Height	48100770		●	●	
Fixed Frame Bracket, Winged - 16" and 17" Ride Height	48100771		●	●	
Fixed Frame Bracket, Winged - 14" Ride Height	48100777				●
Fixed Frame Bracket, Winged - 15" Ride Height	48100778				●
Fixed Frame Bracket, Winged - 16" and 17" Ride Height	48100779				●
Fixed Frame Bracket, Winged - 18" Ride Height	48100780				●
Fixed Frame Bracket, Winged - 19" Ride Height	48100781				●
SwignAlign Frame Bracket - 14" Ride Height	48100760	●			
SwignAlign Frame Bracket - 15" Ride Height	48100761	●			
SwignAlign Frame Bracket - 16" and 17" Ride Height	48100762	●			
SwignAlign Frame Bracket - 14" Ride Height	48100766		●	●	
SwignAlign Frame Bracket - 15" Ride Height	48100767		●	●	
SwignAlign Frame Bracket - 16" and 17" Ride Height	48100768		●	●	
SwignAlign Frame Bracket - 14" Ride Height	48100772				●
SwignAlign Frame Bracket - 15" Ride Height	48100773				●
SwignAlign Frame Bracket - 16" and 17" Ride Height	48100774				●
SwignAlign Frame Bracket - 18" Ride Height	48100775				●
SwignAlign Frame Bracket - 19" Ride Height	48100776				●
PosiLift Air Lift Kit	48100675	●			
PosiLift Air Lift Kit	48100759		●	●	●
Height Control Valve - Non Dump	50860013	●	●	●	●
Height Control Valve - Pressure Dump	50860014	●	●	●	●
Height Control Valve - Zero Pressure Dump Normal Flow	50860015	●	●	●	●
Height Control Valve - Zero Pressure Dump Low Flow	50860016	●	●	●	●
Adjustable Height Control Linkage	50860006	●	●	●	●
Pressure Protection Valve	90560150	●	●	●	●
Optional Pressure Protection Valve	90554107	●	●	●	●



TRAILER AXLES AND  
SUSPENSION SYSTEMS



COUPLING AND  
LIFTING SYSTEMS



SUSPENSIONS FOR  
TRUCKS AND BUSES



SUSPENSIONS AND  
AXLE SYSTEMS



V. ORLANDI  
TOWING  
SYSTEMS



TRAILER AXLES/SUSPENSIONS,  
COUPLING AND LIFTING  
SYSTEMS

[safholland.com](http://safholland.com)

**SAF-HOLLAND, Inc.**  
800.876.3929

**SAF-HOLLAND Canada Limited**  
519.537.3494  
Western Canada 604.574.7491

**SAF-HOLLAND Mexico**  
52.55.5456.8641