



PIVOT CONNECTION

SERVICE REPAIR KIT



SRK-145 Pivot Connection

For applicable models, see left column

APPLICABLE SUSPENSION MODELS

Trailer: AR-41, AR-45 Series, AR-75 Series, AR-85 Series, AR-95 Series, ARU Series, RLU Series, RL-250, RL-300

Truck: ART-500-B Series, ART-505-B Series, ART-505-C Series, ART-551-B Series, ART-555-B Series, ART-555-C Series

PIVOT CONNECTION SERVICING PROCEDURE

IMPORTANT: Before disassembling suspensions, check spacer washer placement as different frame widths require various spacer washer placement configurations (ART only).

NOTE: To eliminate a complete tear down, use a Bushing Service Tool, part number 505 44 012. Read instructions for use of the tool.

IMPORTANT: It is recommended that the vehicle be unloaded before beginning service procedures.

⚠ WARNING Always chock tires to prevent rollaway—serious injury or death could occur.

1. Raise vehicle frame 2" (51mm), supporting frame and axle with jacks or stands. Do not raise or support vehicle with equalizing beam.

2. Exhaust all air from suspension system.

NOTE: If the suspension is a coil spring lift model, the axle will lift.

NOTE: Temporarily leave axle in lifted position.

A. When a height control valve is used in the system, disconnect link at lower end, and then rotate control arm down 45° to exhaust position.

B. When a manual control valve is used in the system, turn handle to deflate position.

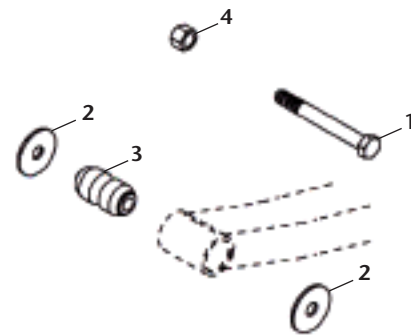
C. Disconnect air supply line from one suspension air spring each side of vehicle.

SRK-145: 481 00 202

Pivot Connection - 1 kit per axle

Item	Part No.	Description	Qty.
1	932 01 055	Bolt Hex 1-1/8" - 7" x 9.50	2
2	900 36 177	Washer Flat 1.141"	4
3	900 08 139	Rubber Bushing 5-1/4" Long	2
4	934 00 506	Nut Hex 1-1/8" - 7"	2

FIGURE 1



D. If suspension has a lift air spring, exhaust all air from lift air spring.

NOTE: Be sure air is completely exhausted from suspension.

3. Support axle with jacks. If suspension has an axle lift, disconnect by:

A. If coil spring lift is used, turn adjusting nut on yoke rod to release tension on chain. With tension released, disconnect chain from bracket (each side), and then lower axle to appropriate ride height.

B. If AL or CB lift is used, disconnect chains from equalizing beam or CB connection (chain or cable).

continued

PIVOT CONNECTION SERVICING PROCEDURE *continued*

NOTE: It is recommended to use the Holland Bushing Service Tool (Part No. 505 44 012) to remove/replace pivot connection bushings from equalizing beams. Utilizing the bushing service tool eliminates the need to completely disassemble the equalizing beam from the suspension.

NOTE: In some instances, it may be necessary to completely remove equalizing beam to replace bushing(s)—see appropriate model's Maintenance Manual for disassembly procedures.

NOTE: The following procedure assumes the use of Holland Bushing Service Tool. Other methods of pressing out bushings may be used—if done in a safe manner. Contact Holland Technical Service for more information: (888)396-6501.

4. Remove tires from axle. Disconnect pivot connections. Lower equalizing beams below frame brackets to access pivot connection bushing and remove wear washers (item 2) and worn bushing (item 3) (**FIGURE 2**).

IMPORTANT: Press out worn bushings. **Do not** burn them out.

5. Inspect all suspension parts for wear and cracks. Repair or replace, if necessary. **Do not** repair a cracked equalizing beam; always replace the beam. Refer to appropriate model's Maintenance Manual. It is recommended that axle connections be serviced at this time.

6. Clean out bushing receptacle, and then install a new rubber bushing (item 3) in equalizing beam(s) using bushing service tool or other suitable method. Bushings must be centered in each equalizing beam receptacle. An approved rubber lubricant must be used. **Do not** use an oil-based lubricant or brake fluid.
7. Reattach equalizing beams to frame brackets using new pivot bolts, nuts, and wear washers. Install wear washers (item 2) in proper positions. Torque 1-1/8" nuts to 550 ft. lbs. (745 Nm) or for ART Series Products only, 600 ft. lbs. Refer to each product's particular torque specification. Repeat procedures for opposite side.

NOTE: If suspension has a lift, reconnect it. If suspension is a Coil Spring Lift Model, raise axle to complete up position, and reconnect chain to bracket (**FIGURE 3**). Torque to 40 ft. lbs. (54 Nm). Readjust adjusting nut to 1/8" dimension **ONLY** (**FIGURE 3A**).

8. Reconnect lower Height Control link(s), if applicable, and then reinstall tires.

FIGURE 2

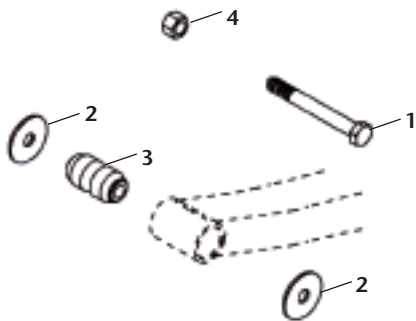
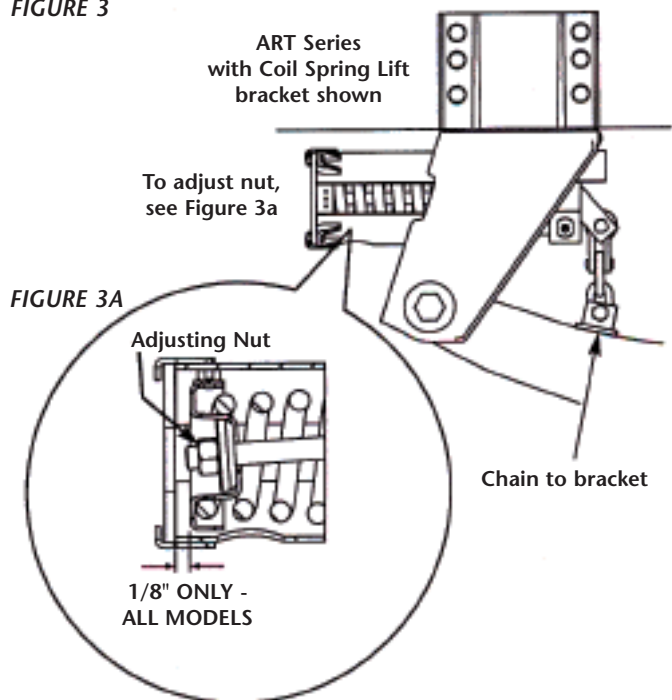


FIGURE 3



HOLLAND USA, INC.
1950 Industrial Blvd. • P.O. Box 425 • Muskegon, MI 49443-0425
Phone 888-396-6501 • Fax 800-356-3929
www.thehollandgroupinc.com

Copyright © August 2004 • The Holland Group, Inc.

Holland USA, Inc. Facilities:

Dumas, AR Warrenton, MO
Holland, MI Wylie, TX
Muskegon, MI

Ph: 888-396-6501 Fax: 800-356-3929

Holland International, Inc.

Holland, MI
Phone: 616-396-6501
Fax: 616-396-1511

Holland Hitch of Canada, Ltd.

Woodstock, Ontario • Canada
Phone: 519-537-3494
Fax: 800-565-7753

Holland Equipment, Ltd.

Norwich, Ontario • Canada
Phone: 519-863-3414
Fax: 519-863-2398

Holland Hitch of Canada, Ltd.

Surrey, British Columbia • Canada
Phone: 604-574-7491
Fax: 604-574-0244