



RLU SERIES

PARTS LIST



RLU-228, -250 & -300 Series

Suspension Model Identification, Service Repair Kits (SRKs) and Parts List Information



CONTENTS

	Page		Page
Model Identification	2	RLU-228 Axle Mounted Shock (AMS) Suspension.....	12
Model Nomenclature	2	RLU-228 Current Production Suspension (4" Axle Travel Up) ..	14
How to Identify Your Suspension Model	3	RLU-250 Standard Suspension.....	16
Service Repair Kits (SRK), Pivot and Axle	4-6	RLU-250 Frame Mount (FMT) Suspension.....	18
RLU-228 Suspension.....	8	RLU-300 Standard Suspension.....	20
RLU-228 Current Production Suspension (3" Axle Travel Up) ..	10	Contact Information.....	24

For Maintenance Information, refer to Maintenance Manual (Part No. XL-AR424).

SERIAL NUMBER TAG INFORMATION

Model Identification

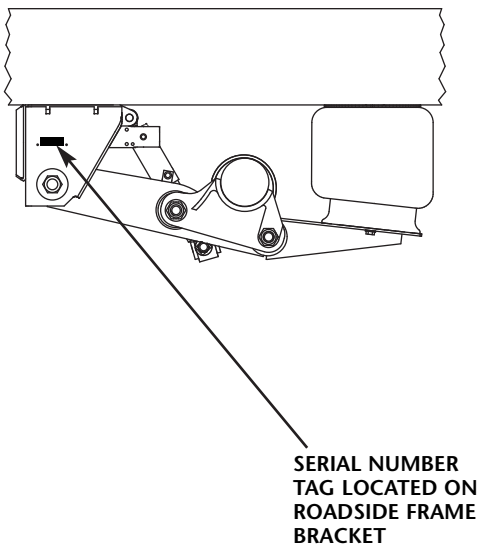
The RLU Series Suspension Serial Tag is normally located on the roadside frame bracket (**FIGURE 1**).

NOTE: This manual applies to the suspension series or the models listed on the front cover. However, we urge you to determine your specific model number, write that information below and refer to it when obtaining information or replacement parts.

NOTE: Refer to the serial number tag attached to the frame bracket for information.

Model Number _____
 Parts List Number _____
 Serial Number _____
 In Service Date _____

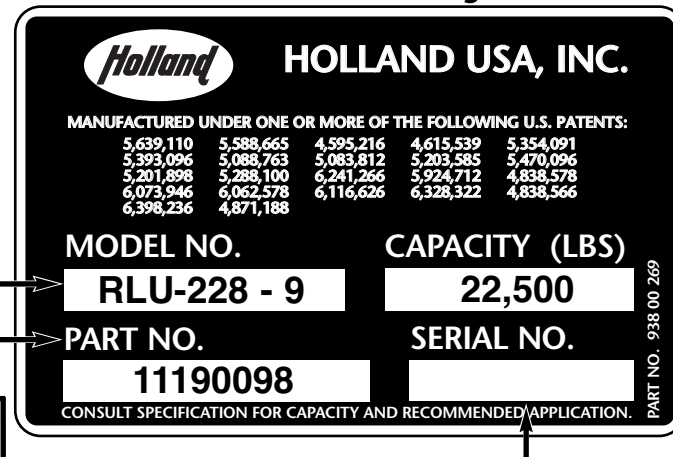
FIGURE 1 Serial Number Tag Location



Model Nomenclature

The sample tag shown below will help you interpret the information on the Holland USA, Inc. serial number tag. The model number is on the first line along with the suspension capacity. The second line contains the parts list number and serial number (**FIGURE 2**).

FIGURE 2 Serial Number Tag



RLU-228 - 9 - F M T

Special Features

- AMS - Axle Mounted Shocks
- HMS - Hanger Mounted Shocks
- FMT - Frame Mount

Ride Height

- 6" (152mm)
- 6.5" (165mm)
- 7" (178mm)
- 8" (203mm)
- 9" (229mm)
- 10" (254mm)
- 12" (305mm)

- Axle Capacity**
Suspension Series
 22,500 Tandem
 25,000 Tandem
 30,000 Tandem

NOTE: Some models have an additional designation after the ride height.
 Example: RLU-250-12-FMT

SERIAL NUMBER TAG INFORMATION continued

Model Nomenclature continued

To correctly identify the model requiring replacement parts, check the serial tag for any special feature designations (in **bold** below, also **FIGURE 3**). Identify suspension characteristics by breaking down each part number as shown in the examples below:

Example 1:

- RLU-228-8-3-AMS - 228 = 22,500 lbs. axle capacity
- 8 = 8" ride height
 - 3" = axle travel
 - **AMS** = Axle Mounted Shock
- (see page 12.)

Example 2:

- RLU-250-6.5-FMT - 250 = 25,000 lbs. axle capacity
- 6.5 = 6.5" ride height
 - **FMT** = Frame Mount
- (see page 18.)

Example 3:

- RLU-300-6.5 - 300 = 30,000 lbs. axle capacity
- 6.5 = 6.5" ride height
- (see page 20.)

How to Identify Your Suspension Model

When ordering replacement parts, it is important to identify the correct suspension model by noting any special feature designation. Refer to special feature designation at the end of the model number below the serial number tag on page 2.

If the serial number tag is missing, suspension model verification can be achieved by noting the characteristics of each suspension series.

Identifying an RLU-228 Series: The axle adapter has a distinctive shape (see **FIGURE 3** at right and page 8).

Identifying an RLU-250 Series: Due to many variations within the RLU Series family, closer inspection may be required to determine which model you have. The RLU-250 axle adapter and lower shock connection is shown in **FIGURE 3** and on page 16. If closer examination is required, check the shock absorber part number, which will be located at the base of the shock, to assist in determining the ride height.

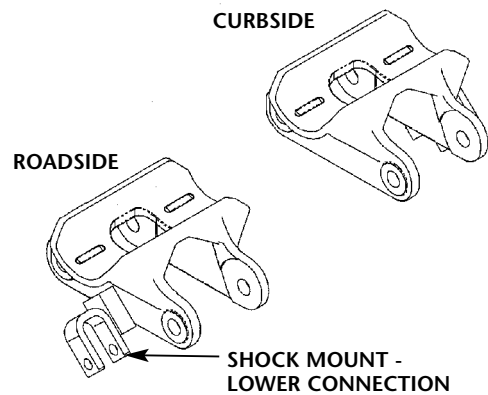
Identifying an RLU-300 Series: Due to the close resemblance to the RLU-250 Series suspension, the RLU-300 Series equalizing beam and lower shock connection is the easiest way to identify an RLU-300 Series suspension, shown in **FIGURE 3** and on page 20. The RLU-300 beam has a plate welded to the gussets (the RLU-250 does not). If closer examination is required, check the shock absorber part number, which will be located at the base of the shock, to assist in determining the ride height.

To correctly identify your specific model requiring replacement parts, proceed (1) by identifying the style of axle adapter or axle adapter and U-bolt combination or equalizing beam and frame bracket (**FIGURE 3**), and (2) by identifying the shock's mounting orientation and part number.

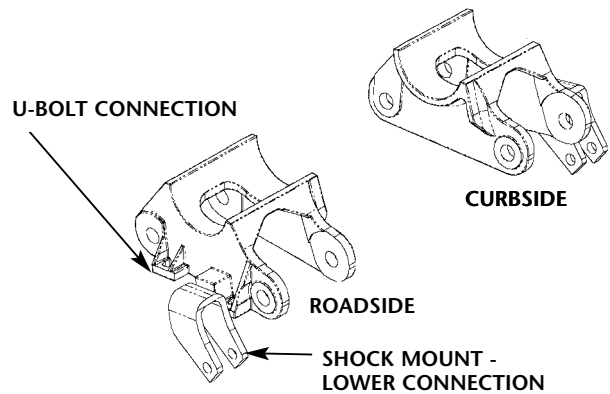
FIGURE 3

Identifying the Suspension Model

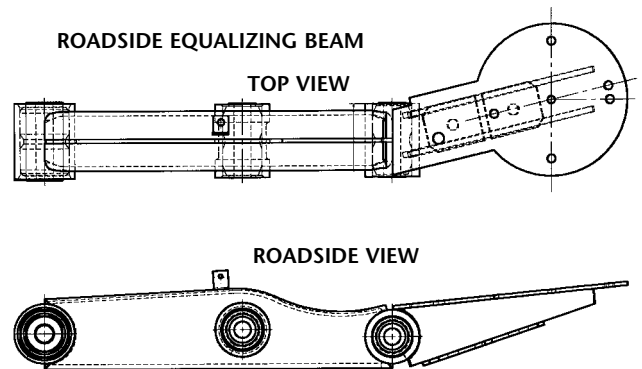
RLU-228 AXLE ADAPTER



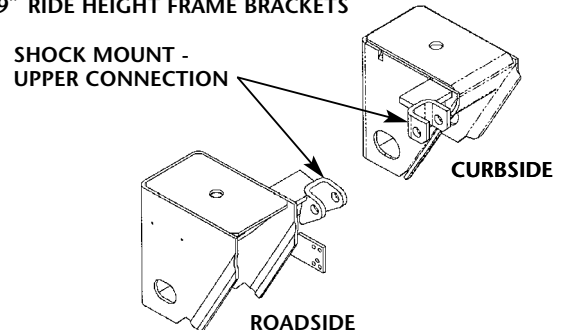
RLU-250 & RLU-300 AXLE ADAPTER AND U-BOLT



RLU-300 EQUALIZING BEAM AND FRAME BRACKETS



9" RIDE HEIGHT FRAME BRACKETS



SERIAL NUMBER TAG INFORMATION *continued*

Determining Ride Height

After the model has been determined, (1) check the shock part number to determine from the appropriate table what possible ride heights you are limited to, and (2) select the correct column to order the correct part. To assist determining ride height, both frame bracket and air spring "critical" dimensions are also provided in tables associated with 2-dimensional side views, usually placed below the parts list.

RLU-228 Series:

Model RLU-228 (ARU-93), pages 8 and 9.

Model RLU-228 Current Production, pages 10 to 15.

RLU-250 Series:

Model RLU-250 Standard, pages 16 and 17.

Model RLU-250 Frame Mount, pages 18 and 19.

RLU-300 Series:

Model RLU-300 Standard, pages 20 and 21.

SERVICE REPAIR KITS (SRK)

Common Replacement Parts Come in Service Repair Kits (SRKs)

To simplify ordering the correct number of common replacement parts, Service Repair Kits were formed to offer you proper components having correct quantities, making maintenance easier by doing tasks correctly the first time.

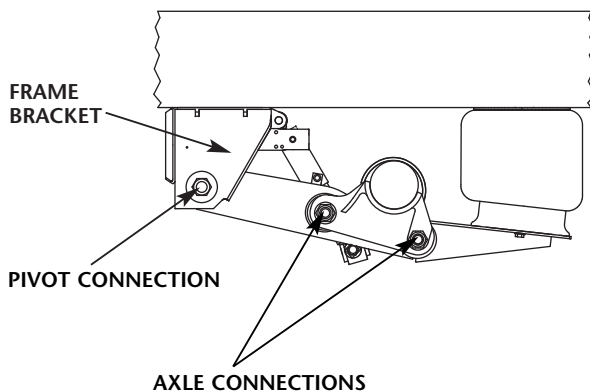
The RLU Series suspension provides Service Repair Kits (SRK's) for the replacement of pivot/axle connections (**FIGURE 4**).

IMPORTANT: For easier field replacement of RLU Series frame brackets the EZ-Align (non-welded) style frame bracket **must** be used to replace a welded alignment style frame bracket. Kit includes all pivot connection components, except the pivot bushings.

IMPORTANT: Check the head of the pivot bolt. Bolts have **1051**, **1055** or **1069** on the bolt head, reducing the number of possible kits associated with your type of bolt. (See *Pivot and Axle Connection Service Repair Kit Charts* on page 5.)

FIGURE 4

Pivot and Axle Connections



Pivot and Axle Connection Rubber Bushings

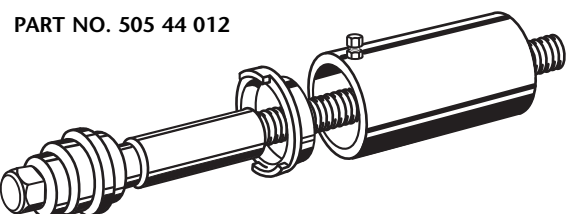
IMPORTANT: When replacing the rubber bushings at these connections be sure the proper Holland SRK (Service Repair Kit) is used as they contain all necessary parts to service one axle. It may be advantageous to service both pivot and axle connections at the same time. (See *Pivot and Axle Connection Service Repair Kit Charts* on page 5.)

NOTE: The Holland Bushing Service Tool, Part No. 505 44 012 (**FIGURE 5**), is available to ease removal and replacement of bushings. Contact your Holland distributor or Parts List for details.

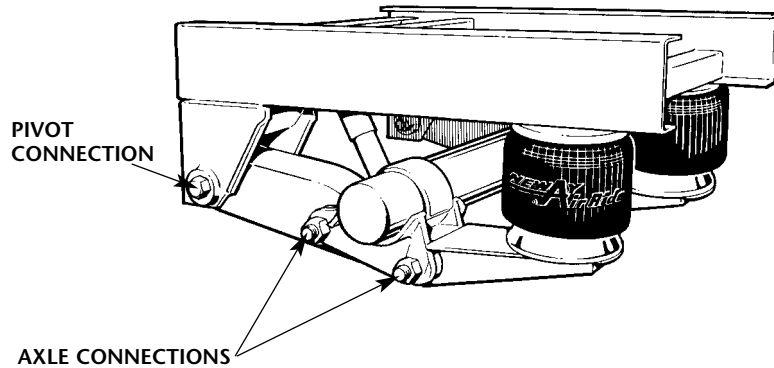
IMPORTANT: It is recommended that the vehicle be unloaded before beginning service procedures.

FIGURE 5

Bushing Service Tool



SERVICE REPAIR KITS (SRK) *continued*



When servicing your RLU Series suspension, use the convenient service repair kits noted below.

Descriptions are found below and below the parts list for each suspension.

PIVOT CONNECTION:

One (1) SRK Required per axle.

PIVOT AND AXLE CONNECTION SERVICE REPAIR KIT CHART

Model RLU-228 Pivot Connection — EZ and Welded Alignments

Bolt Type 1055 / 1069	Description	SRK	Holland Part No.
1055	Bolts, Nuts, and Bushings	SRK-145	481 00 202
1055	1 EZ-Alignment / 1 Welded Alignment	SRK-520	481 00 384
	2 EZ-Alignment	SRK-521	481 00 385
1069	1 EZ-Alignment / 1 Welded Alignment	SRK-525	481 00 389
1069	2 Welded Alignment	SRK-456	481 00 319

Model RLU-228 Axle Connection

Bolt Type	Description	SRK	Holland Part No.
1051	1-Piece Adapter	SRK-149	481 00 206

Model RLU-250 Pivot Connection — EZ and Welded Alignments

Bolt Type 1055 / 1069	Description	SRK	Holland Part No.
1069	2 Welded Alignment	SRK-524	481 00 388
1069	1 EZ-Alignment / 1 Welded Alignment	SRK-519	481 00 383
	2 EZ-Alignment	SRK-522	481 00 386
1055	1 EZ-Alignment / 1 Welded Alignment	SRK-523	481 00 387

NOTE: Bushing connection kits should be purchased as SRKs listed here (detailed component listings are on page 6).

Model RLU-250 Axle Connection — 1-Piece Adapter

Bolt Type	Description	SRK	Holland Part No.
1051	1-Piece Adapter	SRK-149	481 00 206

Model RLU-300 Pivot Connection — Welded Alignments

Bolt Type 1055 / 1069	Description	SRK	Holland Part No.
1069	2 Welded Alignment	SRK-524	481 00 388

Model RLU-300 Axle Connection — 1-Piece Adapter

Bolt Type	Description	SRK	Holland Part No.
1051	1-Piece Adapter	SRK-149	481 00 206

SERVICE REPAIR KITS (SRK) *continued*

RLU PIVOT AND AXLE CONNECTION REPLACEMENT KIT CHARTS

SRK-145 - Pivot

481 00 202

DESCRIPTION	PART NO.	QTY
Bolt Hex 1.125"-7 x 9.5" GR 8	932 01 055	2
Nut Hex Lock 1.125"-7 GR C	934 00 506	2
Bushing	900 08 139	2
Washer Flat 1.141"	900 36 177	4
Pivot Connection Instructions	XL-AK406	1
Decal, Torque Specifications	XL-AR355	1

SRK-149 - Axle

481 00 206

DESCRIPTION	PART NO.	QTY
Bolt Hex 1.125"-7 x 8.5" GR 8	932 01 051	4
Nut Hex Lock 1.125"-7 GR C	934 00 506	4
Bushing	900 08 149	4
Washer Spacer	900 36 175	8
Washer Flat 1.141"	900 36 177	8
Literature Instruction	941 00 509	1

SRK-232 - Pivot

481 00 294

DESCRIPTION	PART NO.	QTY
Bushing	900 08 139	1
Washer Flat 1.141"	900 36 177	2
Alignment Block	905 08 019	1
Alignment Block Non Weld	900 08 238	1
Nut Hex Lock 1.125"-7 GR C	934 00 506	1
Literature Instructions	XL-AR453	1

SRK-519 - Pivot

481 00 383

DESCRIPTION	PART NO.	QTY
Bolt Hex 1.12"-7 x 8.5" GR 8	932 01 069	1
Nut Hex Lock 1.125"-7 GR C	934 00 506	2
Bushing	900 08 139	2
Washer Flat 1.141"	900 36 177	4
Alignment Block	905 08 019	1
Alignment Block Non Weld	900 08 238	1
Welded Axle Alignment Ins; EZ-Align Axle Alignment Ins.	XL-AR354	1
Decal, Torque Specification	XL-AR355	1

SRK-522 - Pivot

481 00 386

DESCRIPTION	PART NO.	QTY
Bushing	900 08 139	2
Washer Flat 1.141"	900 36 177	4
Alignment Block	905 08 019	2
Alignment Block Non Weld	900 08 238	2
Nut Hex Lock 1.125"-7 GR C	934 00 506	2
Welded Axle Alignment Ins; EZ-Align Axle Alignment Ins.	XL-AR354	1
Decal, Torque Specification	XL-AR355	1

SRK-523 - Pivot

481 00 387

DESCRIPTION	PART NO.	QTY
Bushing	900 08 139	2
Washer Flat 1.141"	900 36 177	4
Alignment Block	905 08 019	1
Alignment Block Non Weld	900 08 238	1
Nut Hex Lock 1.125"-7 GR C	934 00 506	2
Bolt Hex 1.125"-7 x 9.5" GR 8	932 01 055	1
Welded Axle Alignment Ins; EZ-Align Axle Alignment Ins.	XL-AR354	1
Decal, Torque Specification	XL-AR355	1

SRK-524 - Pivot

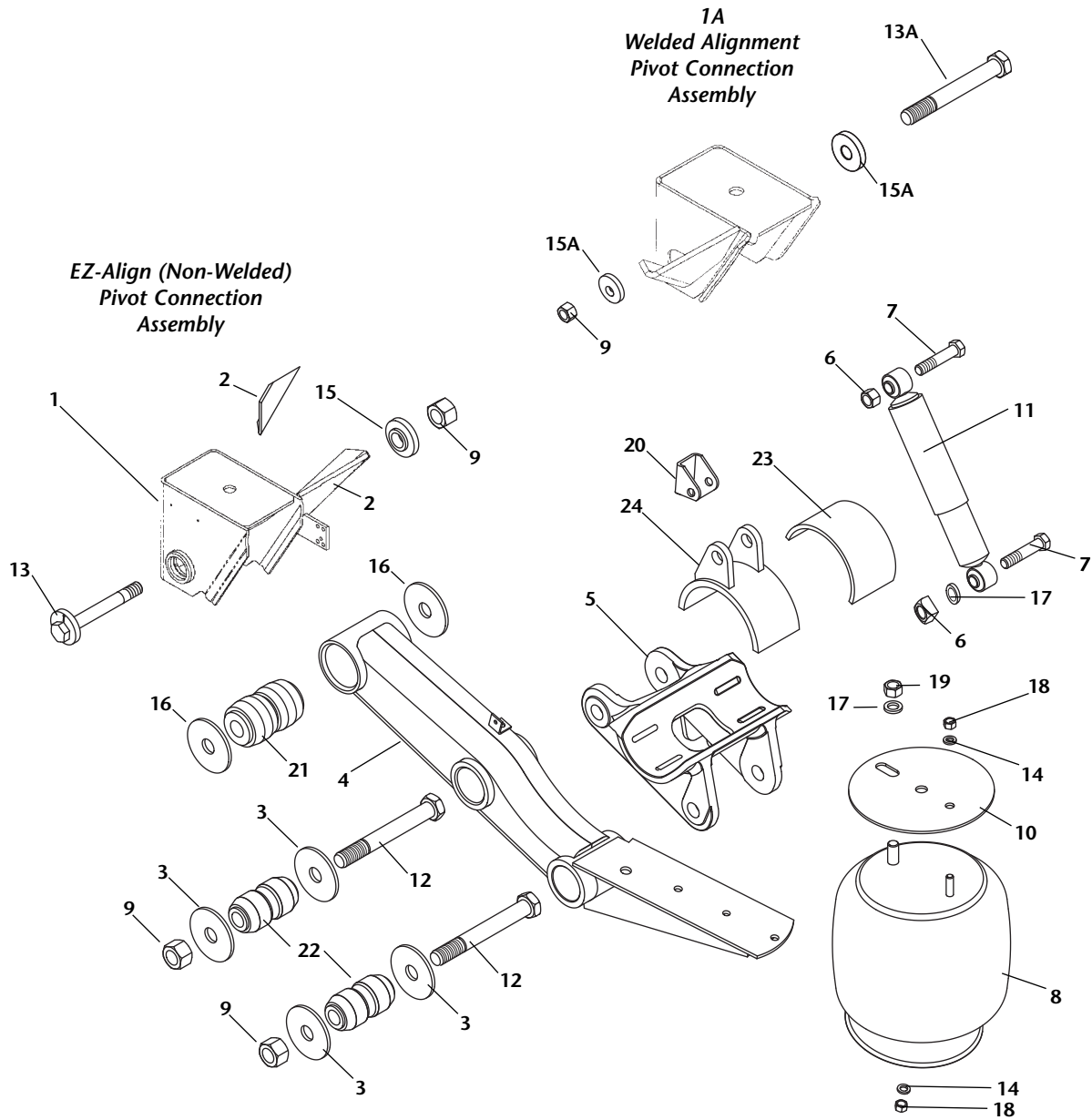
481 00 388

DESCRIPTION	PART NO.	QTY
Bushing	900 08 139	2
Washer Flat 1.141"	900 36 177	4
Bolt Hex 1.12"-7 x 8.5" GR 8	932 01 069	2
Nut Hex Lock 1.125"-7 GR C	934 00 506	2
Literature Instructions	XL-AR453	1

This page intentionally left blank.

RLU-228 (ARU-93) SUSPENSION EXPLODED VIEW

IMPORTANT: RLU-228 Series Suspension components were previously known as suspension model ARU-93; the alignment collar is 3-1/2" in diameter. To ensure proper part number identification before placing order, visually check component to be replaced for part number. If part number cannot be identified or confirmed, check part number on page 9 and contact Holland technical service for assistance - 888-396-6501.



RLU-228 (ARU-93) SUSPENSION PARTS LIST

Suspension Components - RLU-228 (ARU-93) Suspension

ITEM NO.	DESCRIPTION	RLU-228-6-3	RLU-228-7-3	RLU-228-8-3	RLU-228-9-3	RLU-228-10-3	QTY.
1	Frame Bracket (roadside - Welded Adj. Alignment)	90521564	90520346	90519710	90519710	90521149	1
	Frame Bracket (curbside - Welded Alignment)	90521561	-	-	-	-	1
	Frame Bracket (roadside EZ-Align HMS)	-	90521546	-	90521547	-	1*
	Frame Bracket (curbside EZ-Align HMS)	-	-	-	-	-	1
	Frame Bracket (curbside Welded Alignment HMS)	-	90521540	-	90521541	-	1
2	Angle Brace	90025157	90023002	90023002	90023002	90023002	4
3	1-1/8" Spacer Washer (axle connection)	90036177	90036177	90036177	90036177	90036177	8
4	Suspension Sub-Assembly (HMS) (roadside)	-	90546057	90546057	90546057	90546057	1
	Equalizing Beam (roadside)	90516552	90516552	90516552	90516552	90516552	1
	Suspension Sub-Assembly (HMS) (curbside)	-	90546058	90546058	90546058	90546058	1
	Equalizing Beam (curbside)	90516553	90516553	90516553	90516553	90516553	1
5	Axle Adapter (roadside)	90501447	90501447	90501447	90501447	90501447	1
	Axle Adapter (curbside)	90501448	90501448	90501448	90501448	90501448	1
6	3/4"-10 Hex Nut (upper shock lock nut)	93400492	93400492	93400492	93400492	93400492	2
	3/4"-10 Square Nut (for lower shock bolt)	93400367	93400367	93400367	93400367	93400367	2
7	3/4"-10x3 1/2" Bolt	93003597	93003597	93003597	93003597	93003597	2
	3/4"-10x4" Bolt (lower shock bolt)	93003609	93003609	93003609	93003609	93003609	2
8	Air Spring	90557117	90557117	90557118	90557119	90557119	2
9	1-1/8" Lock Nut	93400506	93400506	93400506	93400506	93400506	6
10	Air Spring Mtg Plate (ASMP)	90033785	90033785	90033785	90033785	90033785	2
11	Shock Absorber	90045040	90044642	90044626	90044626	90044089	2
12	1-1/8" Bolt (axle connection)	93201051	93201051	93201051	93201051	93201051	4
13	1-1/8" Pivot Bolt Alignment Block Assy (EZ-Align)	-	90508019	-	90508019	-	1*
13A	1-1/8" Pivot Bolt (Welded Alignment)	93201055	93201055	93201055	93201055	93201055	1
14	1/2" Lock Washer	93600072	93600072	93600072	93600072	93600072	4
15	Alignment Block (EZ-Align)	-	90008238	-	90008238	-	1*
15A	Alignment Block (Welded Alignment)	90008147	90008147	90008147	90008147	90008147	2
16	Pivot Washer, 1.14" dia.	93600177	93600177	93600177	93600177	93600177	4
17	3/4" Lock Washer	93600077	93600077	93600077	93600077	93600077	4
18	1/2"-13 Nut	93400136	93400136	93400136	93400136	93400136	4
19	3/4"-16 Hex Nut (top of air spring)	93400149	93400149	93400149	93400149	93400149	2
20	Upper Shock Bracket	90519040	90519040	90519040	90519040	90018445	2
21*	Pivot Bushing	90008139	90008139	90008139	90008139	90008139	1
22*	Axle Bushing	90008149	90008149	90008149	90008149	90008149	2
23	Plate Wrapper	90025288	90025288	90025288	90025288	90025288	2
24	Lower Shock Assembly	90520276	90520276	90520276	90520276	90520276	2

*Replacement components should be purchased in bushing connection SRK kits listed below.

SRK-145 - Pivot

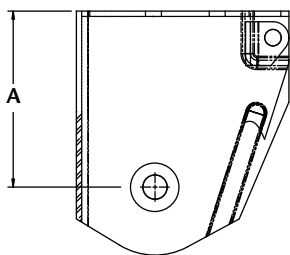
481 00 202

DESCRIPTION	PART NO.	QTY
Bolt Hex 1.125"-7 x 9.5" GR 8	932 01 055	2
Nut Hex Lock 1.125"-7 GR C	934 00 506	2
Bushing	900 08 139	2
Washer Flat 1.141"	900 36 177	4
Pivot Connection Instructions	XL-AK406	1
Decal, Torque Specifications	XL-AR355	1

SRK-149 - Axle

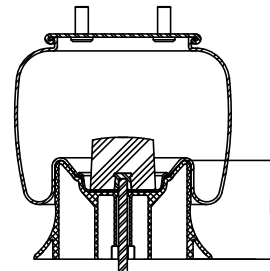
481 00 206

DESCRIPTION	PART NO.	QTY
Bolt Hex 1.125"-7 x 8.5" GR 8	932 01 051	4
Nut Hex Lock 1.125"-7 GR C	934 00 506	4
Bushing	900 08 149	4
Washer Spacer	900 36 175	8
Washer Flat 1.141"	900 36 177	8
Literature Instruction	941 00 509	1



Frame Bracket

"A" DIM	PART NO.
7.25"	905 20 346
8.25"	905 19 710

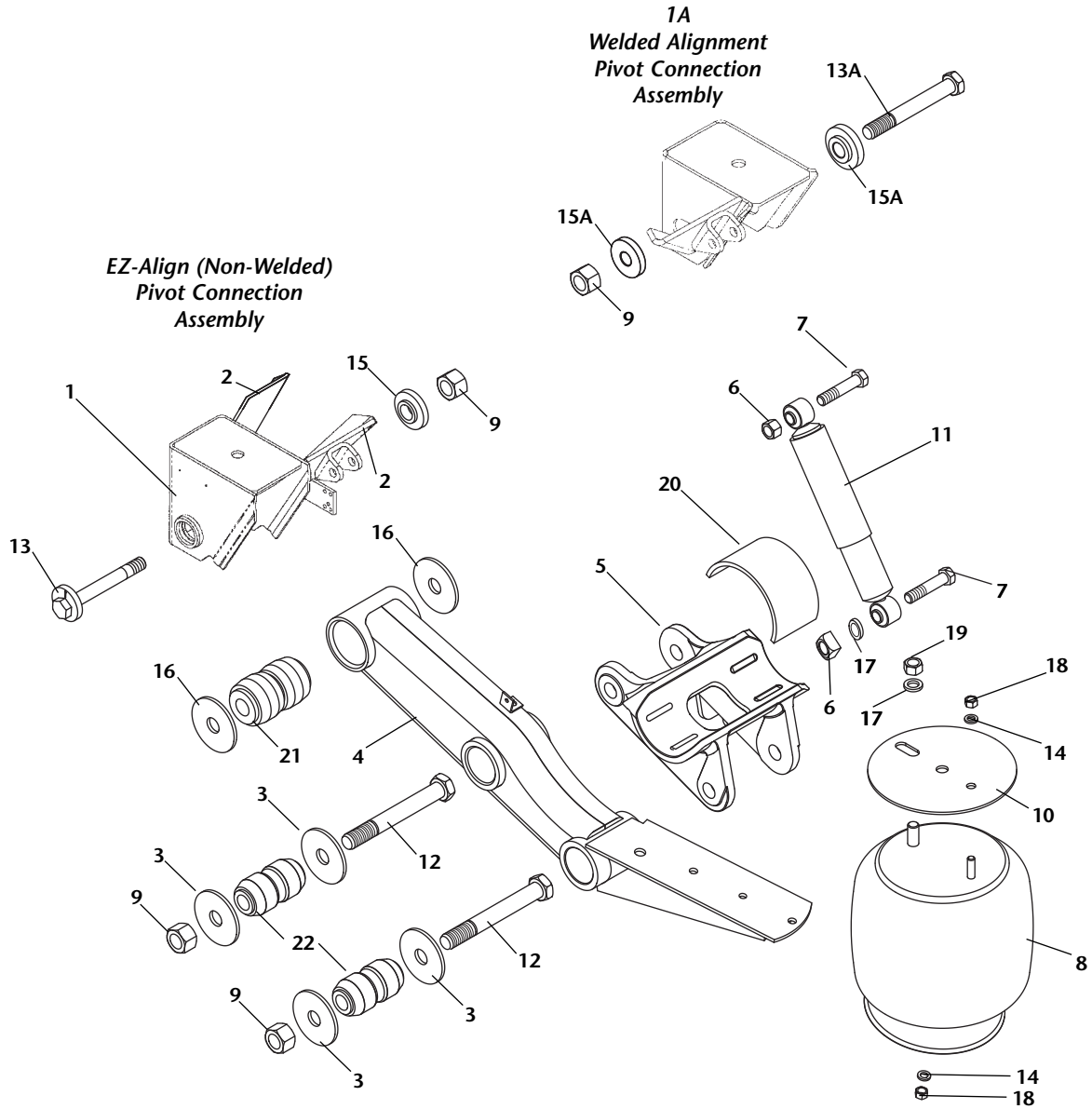


Air Spring

"B" DIM	PART NO.
4.75"	905 57 117
5.70"	905 57 118
7.40"	905 57 119

RLU-228 CURRENT PRODUCTION SUSPENSION EXPLODED VIEW (3" AXLE TRAVEL UP)

IMPORTANT: To ensure proper part number identification before placing order, visually check component to be replaced for part number. If part number cannot be identified or confirmed, check part number on page 11 and contact Holland technical service for assistance - 888-396-6501.



RLU-228 CURRENT PRODUCTION SUSPENSION PARTS LIST (3" AXLE TRAVEL UP)

Suspension Components - Current Production Suspension (3" Axle Travel Up)

ITEM NO.	DESCRIPTION	RLU-228-6-3	RLU-228-7-3	RLU-228-8-3	RLU-228-9-3	RLU-228-10-3	RLU-228-12-3	QTY.
1	Frame Bracket (roadside EZ-Align HMS)	90521059	90521006	90521045	90521547	90521548	90521406	1
	Frame Bracket (curbside EZ-Align HMS)	90521162	90521158	90521159	90521550	-	-	1
1A	Frame Bracket (curbside Welded Alignment HMS)	90521558	-	-	90521541	90521542	90521414	1
	Frame Bracket (coped x-member EZ-Align)	90521486	90521552	90521553	90521553	-	-	1
	Frame Bracket (coped x-member)	90521488	90521543	90521544	90521544	-	-	1
2	Angle Brace	90025157	90023002	90023002	90023002	90023001	90023001	4
3	1-1/8" Spacer Washer (axle connection)	90036177	90036177	90036177	90036177	90036177	90036177	8
4	Suspension Sub-Assembly (HMS) (roadside)	90546057	90546057	90546057	90546057	90546057	90546057	1
	Equalizing Beam (roadside)	90516552	90516552	90516552	90516552	90516552	90516552	1
	Suspension Sub-Assembly (HMS) (curbside)	90546058	90546058	90546058	90546058	90546058	90546058	1
	Equalizing Beam (curbside)	90516553	90516553	90516553	90516553	90516553	90516553	1
5	Axle Adapter (roadside)	90501447	90501447	90501447	90501447	90501447	90501447	1
	Axle Adapter (curbside)	90501448	90501448	90501448	90501448	90501448	90501448	1
6	3/4"-10 Hex Nut (upper shock lock nut)	93400492	93400492	93400492	93400492	93400492	93400492	2
	3/4"-10 Hex Nut (upper shock lock nut)	93400553	-	-	-	-	-	2
	3/4"-10 Square Nut (for lower shock bolt)	-	93400367	93400367	93400367	93400367	93400367	2
7	3/4"-10x3 1/2" Bolt	93003597	93003597	93003597	93003597	93003597	93003597	2
	3/4"-10x4" Bolt (lower shock bolt)	93003609	93003609	93003609	93003609	93003609	93003609	2
8	Air Spring	90557117	90557117	90557118	90557119	90521124	90557119	2
9	1-1/8" Lock Nut	93400506	93400506	93400506	93400506	93400506	93400506	6
10	Air Spring Mtg Plate (ASMP)	90033785	90033785	90033785	90033785	90033785	90033785	2
11	Shock Absorber	90045298	90044162	90045040	90045054	90044642	90044642	2
12	1-1/8" Bolt (axle connection)	93201051	93201051	93201051	93201051	93201051	93201051	4
13	1-1/8" Pivot Bolt Alignment Block Assy (EZ-Align)	90508019	90508019	90508019	90508019	90508019	90508019	1*
13A	1-1/8" Pivot Bolt (Welded Alignment)	93201055	93201069	93201069	93201069	93201069	93201055	1
14	1/2" Lock Washer	93600072	93600072	93600072	93600072	93600072	93600072	4
15	Alignment Block (EZ-Align)	90008238	90008238	90008238	90008238	90008238	90008238	1*
15A	Alignment Block (Welded Alignment)	90008147	90008198	90008198	90008198	90008198	90008147	2
16	Pivot Washer, 1.14" dia.	93600177	93600177	93600177	93600177	93600177	93600177	4
17	3/4" Lock Washer	93600077	93600077	93600077	93600077	93600077	93600077	4
18	1/2"-13 Nut	93400136	93400136	93400136	93400136	93400136	93400136	4
19	3/4"-16 Hex Nut (top of air spring)	93400149	93400149	93400149	93400149	93400149	93400149	2
20	Plate Wrapper	90025288	90025288	90025288	90025288	90025288	90025288	2
21*	Pivot Bushing	90008139	90008139	90008139	90008139	90008139	90008139	1
22*	Axle Bushing	90008149	90008149	90008149	90008149	90008149	90008149	2

* Replacement components should be purchased in bushing connection SRK kits listed below.

SRK-145 - Pivot

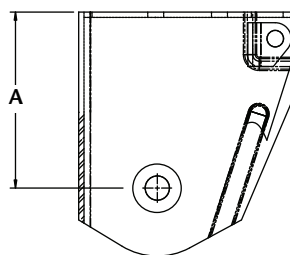
481 00 202

SRK-149 - Axle

481 00 206

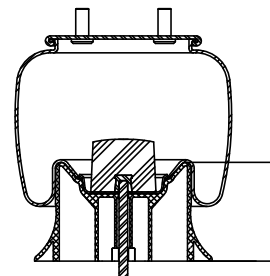
DESCRIPTION	PART NO.	QTY
Bolt Hex 1.125"-7 x 9.5" GR 8	932 01 055	2
Nut Hex Lock 1.125"-7 GR C	934 00 506	2
Bushing	900 08 139	2
Washer Flat 1.141"	900 36 177	4
Pivot Connection Instructions	XL-AK406	1
Decal, Torque Specifications	XL-AR355	1

DESCRIPTION	PART NO.	QTY
Bolt Hex 1.125"-7 x 8.5" GR 8	932 01 051	4
Nut Hex Lock 1.125"-7 GR C	934 00 506	4
Bushing	900 08 149	4
Washer Spacer	900 36 175	8
Washer Flat 1.141"	900 36 177	8
Literature Instruction	941 00 509	1



Frame Bracket

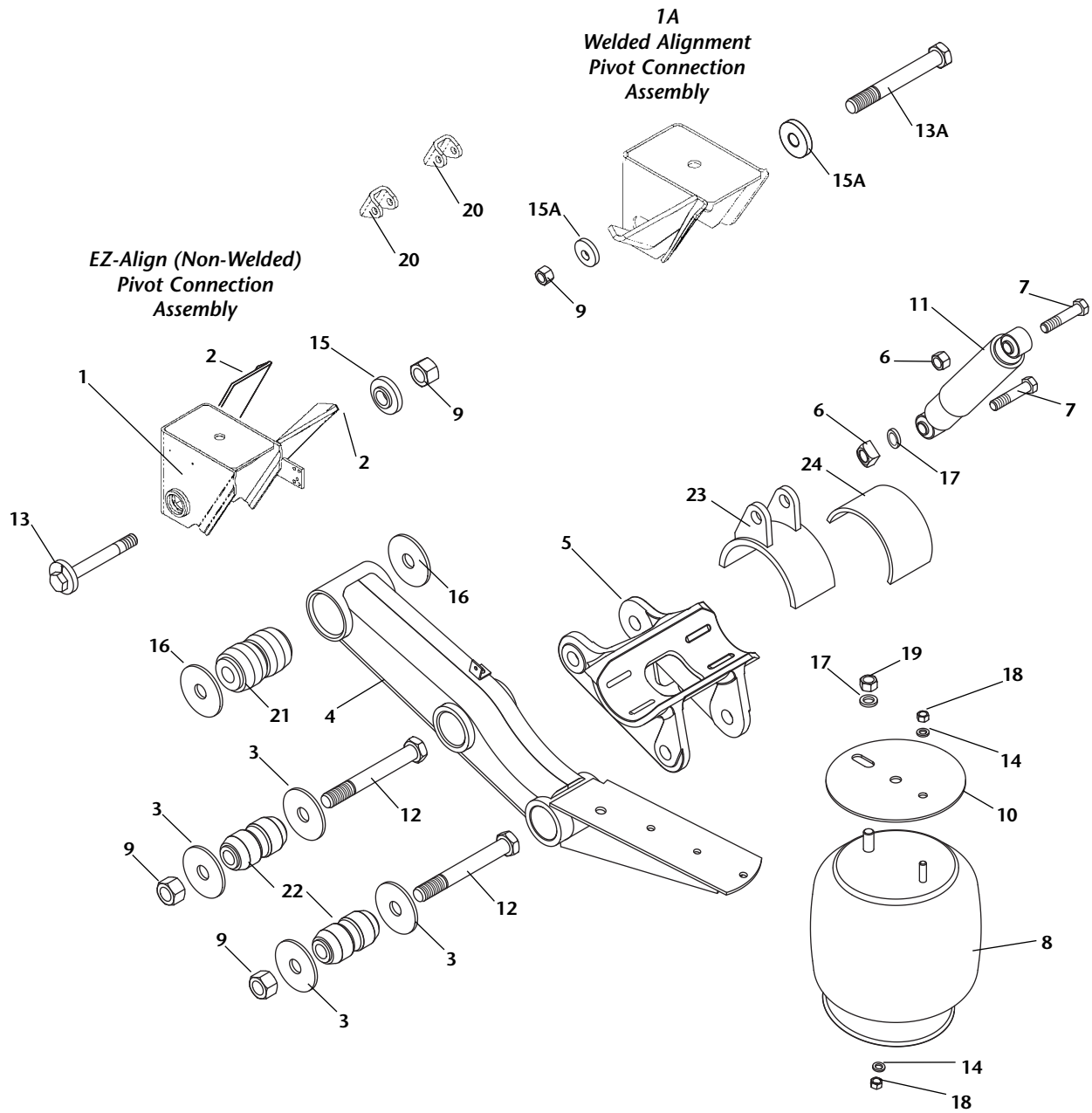
"A" DIM	PART NO.
5.66"	905 21 059
7.10"	905 21 006
8.06"	905 21 547
8.10"	905 21 045
10.44"	905 21 548
11.10"	905 21 406



Air Spring

"B" DIM	PART NO.
4.75"	905 57 117
5.70"	905 57 118
7.40"	905 57 119
7.57"	905 57 124

RLU-228 AXLE MOUNTED SHOCK (AMS) SUSPENSION EXPLODED VIEW



RLU-228 AXLE MOUNTED SHOCK (AMS) SUSPENSION PARTS LIST

Suspension Components - Axle Mounted Shock Suspension

ITEM NO.	DESCRIPTION	RLU-228-8-3	RLU-228-9-3	RLU-228-10-3	RLU-228-12-3	QTY.
1	Frame Bracket (roadside - Welded Alignment)	90520346	90519710	90520828	90519712	1
	Frame Bracket (curbside - Welded Alignment)	-	-	-	-	1
	Frame Bracket (roadside EZ-Align HMS)	-	-	-	-	1
	Frame Bracket (curbside EZ-Align HMS)	-	-	-	-	1
	Frame Bracket (curbside Welded Alignment HMS)	-	-	-	-	1
2	Angle Brace	90023002	90023002	90023001	90023001	4
3	1-1/8" Spacer Washer (axle connection)	90036177	90036177	90036177	90036177	8
4	Suspension Sub-Assembly (HMS) (roadside)	-	-	-	-	1
	Equalizing Beam (roadside)	90516579	90516579	90516579	90516579	1
	Suspension Sub-Assembly (HMS) (curbside)	-	-	-	-	1
	Equalizing Beam (curbside)	90516580	90516580	90516580	90516580	1
5	Axle Adapter (roadside)	90001200	90001200	90001200	90001200	1
	Axle Adapter (curbside)	90001200	90001200	90001200	90001200	1
6	3/4"-10 Hex Nut (upper shock lock nut)	93400492	93400492	93400492	93400492	2
	3/4"-10 Square Nut (for lower shock bolt)	-	-	-	-	2
7	3/4"-10x3 1/2" Bolt	93003597	93003597	93003597	93003597	2
	3/4"-10x4" Bolt (lower shock bolt)	-	-	-	-	2
8	Air Spring	90557117	90557112	90557112	90557126	2
9	1-1/8" Lock Nut	93400506	93400506	93400506	93400506	6
10	Air Spring Mtg Plate (ASMP)	90033785	90033785	90033785	90033785	2
11	Shock Absorber	90044162	90044642	90044642	90044642	2
12	1-1/8" Bolt (axle connection)	93201051	93201051	93201051	93201051	4
13	1-1/8" Pivot Bolt Alignment Block Assy (EZ-Align)	-	-	-	-	1
13A	1-1/8" Pivot Bolt (Welded Alignment)	93201055	93201055	93201055	93201055	1
14	1/2" Lock Washer	93600072	93600072	93600072	93600072	4
15	Alignment Block (EZ-Align)	-	-	-	-	1
15A	Alignment Block (Welded Alignment)	90008147	90008147	90008147	90008147	2
16	Pivot Washer, 1.14" dia.	93600177	93600177	93600177	93600177	4
17	3/4" Lock Washer	93600077	93600077	93600077	93600077	4
18	1/2"-13 Nut	93400136	93400136	93400136	93400136	4
19	3/4"-16 Hex Nut (top of air spring)	93400149	93400149	93400149	93400149	2
20	Upper Shock Bracket	90519040	90519040	90519040	90519040	2
21*	Pivot Bushing	90008139	90008139	90008139	90008139	1
22*	Axle Bushing	90008149	90008149	90008149	90008149	2
23	Axle Mount Shock Bracket	90520276	90520276	90520276	90520276	2
24	Plate Wrapper	90025288	90025288	90025288	90025288	2

*Replacement components should be purchased in bushing connection SRK kits listed below.

SRK-145 - Pivot

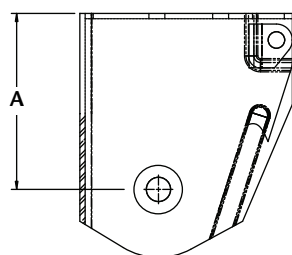
481 00 202

DESCRIPTION	PART NO.	QTY
Bolt Hex 1.125"-7 x 9.5" GR 8	932 01 055	2
Nut Hex Lock 1.125"-7 GR C	934 00 506	2
Bushing	900 08 139	2
Washer Flat 1.141"	900 36 177	4
Pivot Connection Instructions	XL-AK406	1
Decal, Torque Specifications	XL-AR355	1

SRK-149 - Axle

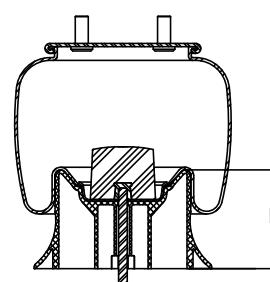
481 00 206

DESCRIPTION	PART NO.	QTY
Bolt Hex 1.125"-7 x 8.5" GR 8	932 01 051	4
Nut Hex Lock 1.125"-7 GR C	934 00 506	4
Bushing	900 08 149	4
Washer Spacer	900 36 175	8
Washer Flat 1.141"	900 36 177	8
Literature Instruction	941 00 509	1



Frame Bracket

"A" DIM	PART NO.
7.25"	905 20 346
8.25"	905 19 710
10.59"	905 20 828
11.25"	905 19 712

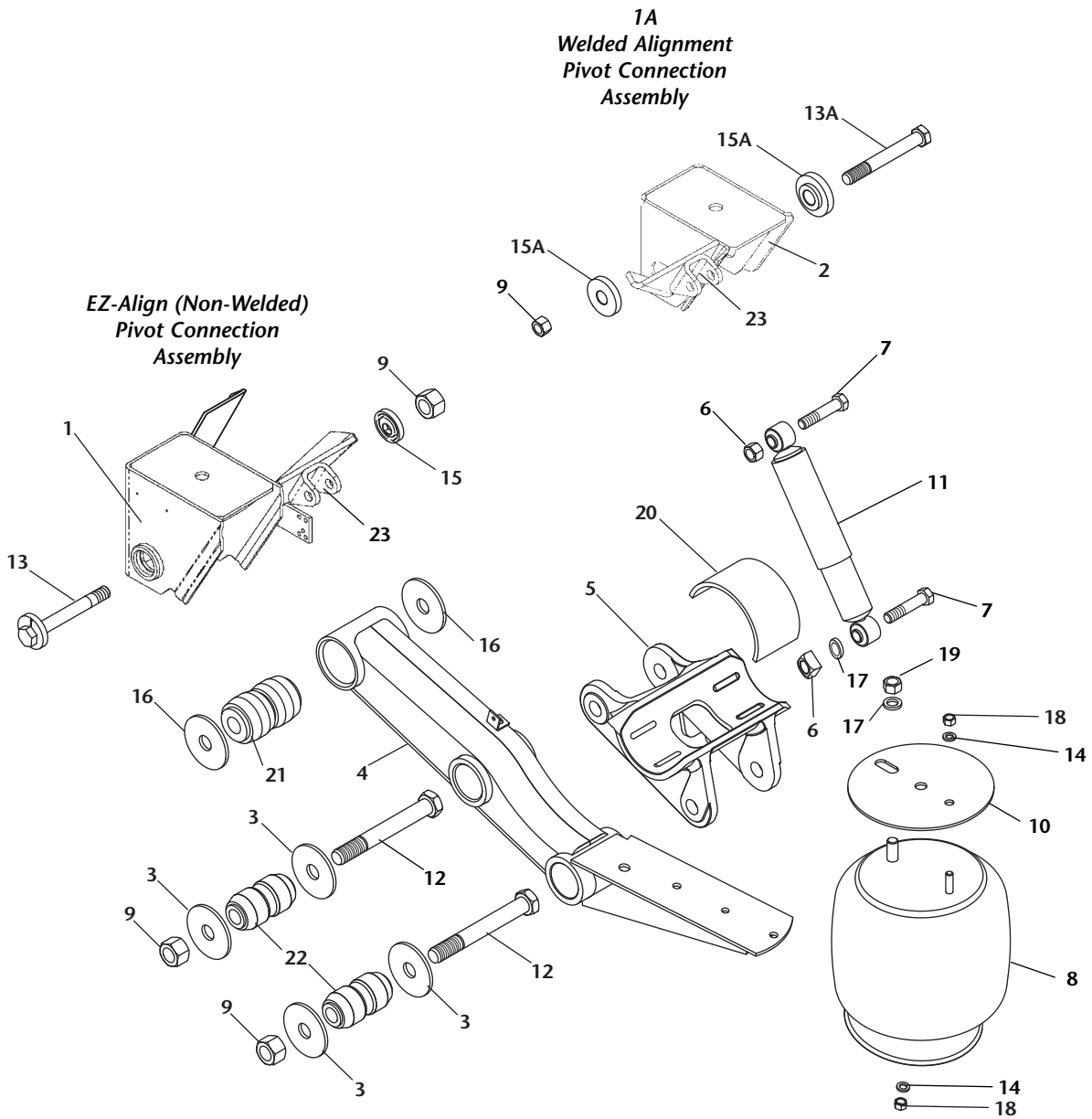


Air Spring

"B" DIM	PART NO.
4.75"	905 57 117
5.66"	905 57 112
7.57"	905 57 126

RLU-228 CURRENT PRODUCTION SUSPENSION EXPLODED VIEW (4" AXLE TRAVEL UP - CAN BE USED WITH A LIFT)

IMPORTANT: To ensure proper part number identification before placing order, visually check component to be replaced for part number. If part number cannot be identified or confirmed, check part number on page 15 and contact Holland technical service for assistance - 888-396-6501.



SRK-145 - Pivot

481 00 202

DESCRIPTION	PART NO.	QTY
Bolt Hex 1.125"-7 x 9.5" GR 8	932 01 055	2
Nut Hex Lock 1.125"-7 GR C	934 00 506	2
Bushing	900 08 139	2
Washer Flat 1.141"	900 36 177	4
Pivot Connection Instructions	XL-AK406	1
Decal, Torque Specifications	XL-AR355	1

SRK-149 - Axle

481 00 206

DESCRIPTION	PART NO.	QTY
Bolt Hex 1.125"-7 x 8.5" GR 8	932 01 051	4
Nut Hex Lock 1.125"-7 GR C	934 00 506	4
Bushing	900 08 149	4
Washer Spacer	900 36 175	8
Washer Flat 1.141"	900 36 177	8
Literature Instruction	941 00 509	1

RLU-228 CURRENT PRODUCTION SUSPENSION PARTS LIST (4" AXLE TRAVEL UP - CAN BE USED WITH A LIFT)

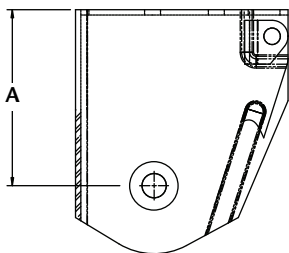
Suspension Components - Current Production Suspension (4" Axle Travel Up)

ITEM NO.	DESCRIPTION	RLU-228-8-4	RLU-228-9-4	RLU-228-10-4	RLU-228-12-4	QTY.
1	Frame Bracket (roadside - Welded Alignment)	-	90519710	-	-	1
	Frame Bracket (curbside - Welded Alignment)	-	-	-	-	1
	Frame Bracket (roadside EZ-Align HMS)	90521546	90521547	90521548	90521047	1
	Frame Bracket (curbside EZ-Align HMS)	-	-	-	-	1
	Frame Bracket (curbside Welded Alignment)	-	-	-	-	1
	Frame Bracket (curbside Welded Alignment HMS)	90521540	90521541	90521542	90521051	1
2	Angle Brace	90023002	90023002	90023001	90023001	4
3	1-1/8" Spacer Washer (axle connection)	90036177	90036177	90036177	90036177	8
4	Suspension Sub-Assembly (HMS) (roadside)	90546057	90546057	90546057	90546057	1
	Equalizing Beam (roadside)	90516552	90516552	90516552	90516552	1
	Suspension Sub-Assembly (HMS) (curbside)	90546058	90546058	90546058	90546058	1
	Equalizing Beam (curbside)	90516553	90516553	90516553	90516553	1
5	Axle Adapter (roadside)	90501447	90501447	90501447	90501447	1
	Axle Adapter (curbside)	90501448	90501448	90501448	90501448	1
6	3/4"-10 Hex Nut (upper shock lock nut)	93400492	93400492	93400492	93400492	2
	3/4"-10 Hex Nut (upper shock lock nut)	93400367	93400367	93400367	93400367	2
	3/4"-10 Square Nut (for lower shock bolt)	93400367	93400367	93400367	93400367	2
7	3/4"-10x3 1/2" Bolt	93003597	93003597	93003597	93003597	2
	3/4"-10x4" Bolt (lower shock bolt)	93003609	93003609	93003609	93003609	2
8	Air Spring	90557117	90557112	90557124	90557126	2
9	1-1/8" Lock Nut	93400506	93400506	93400506	93400506	6
10	Air Spring Mtg Plate (ASMP)	90033785	90033785	90033785	90033785	2
11	Shock Absorber	90045337*	90045040**	-	90044642**	2
	Shock Absorber	90044162*	90044626**	90044642**	90044626**	2
12	1-1/8" Bolt (axle connection)	93201051	93201051	93201051	93201051	4
13	1-1/8" Pivot Bolt Alignment Block Assy (EZ-Align)	90508019	90508019	90508019	90508019	1
13A	1-1/8" Pivot Bolt (Welded Alignment)	93201069	93201055	93201069	93201055	1
14	1/2" Lock Washer	93600072	93600072	93600072	93600072	4
15	Alignment Block (EZ-Align)	90008238	90008238	90008238	90008238	1
15A	Alignment Block (Welded Alignment)	90008198	90008147	90008198	90008147	2
16	Pivot Washer, 1.14" dia.	90036177	90036177	90036177	90036177	4
17	3/4" Lock Washer	93600077	93600077	93600077	93600077	4
18	1/2"-13 Nut	93400136	93400136	93400136	93400136	4
19	3/4"-16 Hex Nut (top of air spring)	93400149	93400149	93400149	93400149	2
20	Plate Wrapper	90025288	90025288	90025288	90025288	
21***	Pivot Bushing	90008139	90008139	90008139	90008139	1
22***	Axle Bushing	90008149	90008149	90008149	90008149	2
23	Upper Shock Bracket	-	90519040	-	90519040	2

* 900 45 337 dust cover diameter is 2.75", 900 44 162, 2.5".

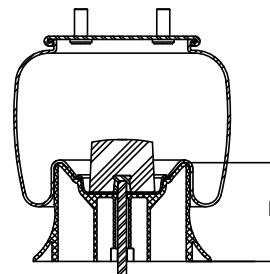
** 900 45 040 stretches to 18", 900 44 642 to 20", 900 44 626 to 24".

*** Replacement components should be purchased in bushing connection SRK kits listed on page 14.



Frame Bracket

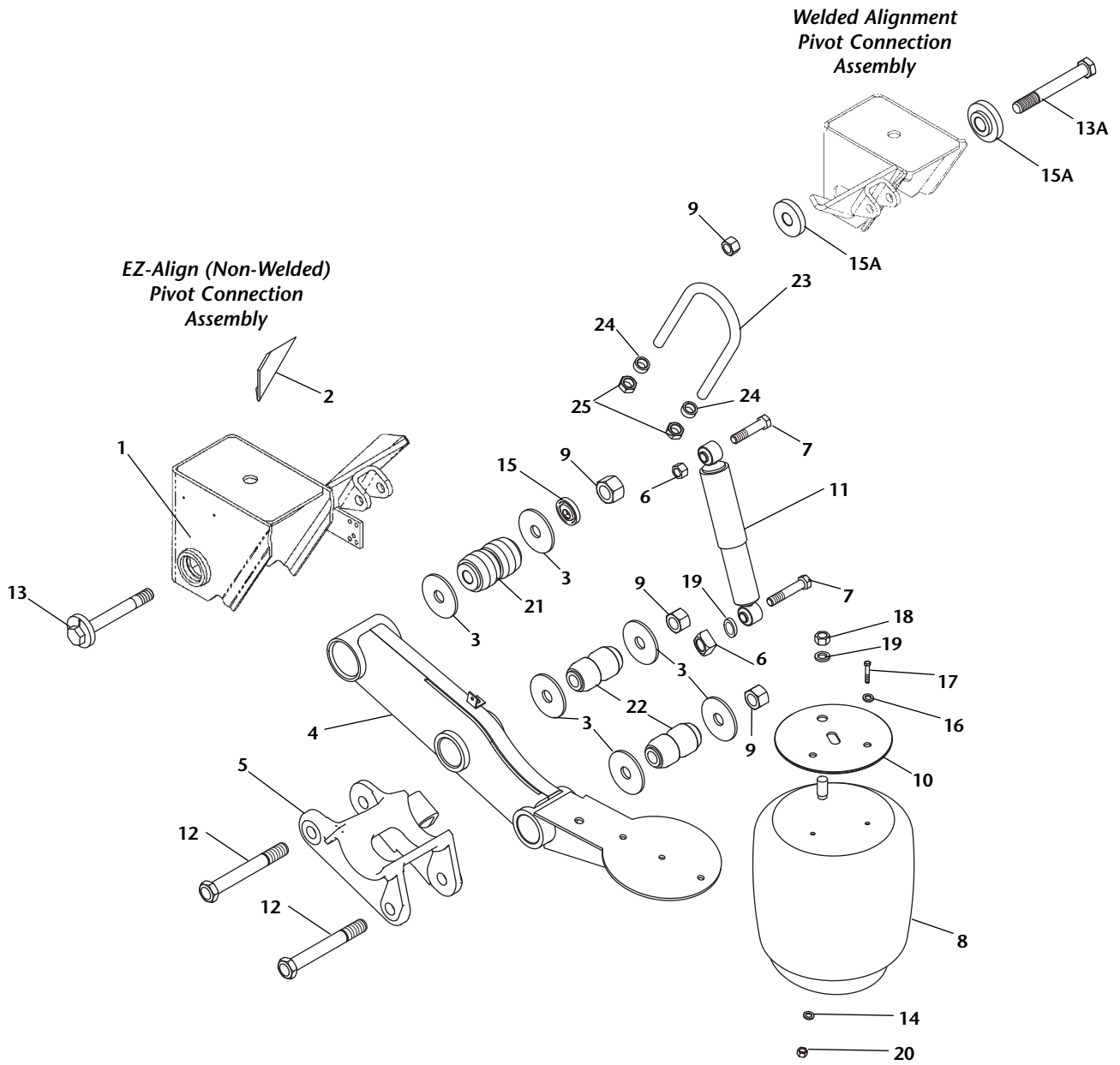
"A" DIM	PART NO.
8.25"	905 19 710



Air Spring

"B" DIM	PART NO.
4.75"	905 57 117
5.66"	905 57 112
7.57"	905 57 124
7.57"	905 57 126

RLU-250 STANDARD SUSPENSION EXPLODED VIEW

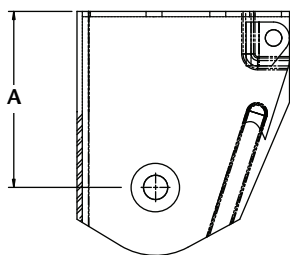


RLU-250 STANDARD SUSPENSION PARTS LIST

Suspension Components - Standard Suspension

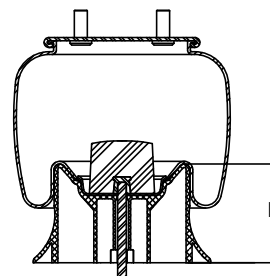
ITEM NO.	DESCRIPTION	RLU-250-6.5	RLU-250-9	RLU-250-12	QTY.
1	Frame Bracket (roadside - Welded Adjustable)	90521388	90521295	90521389	1
	Frame Bracket (roadside - EZ-Align)	90521384	90521297	90521385	1
	Frame Bracket (curbside - Welded Adjustable)	90521390	90521296	90521391	1
	Frame Bracket (curbside - EZ-Align)	90521386	90521298	90521387	1
2	Angle Brace	90023002	90023002	90023002	4
	Angle Brace	90025873	90025873	90025873	4
3	1-1/8" Spacer Washer	90036177	90036177	90036177	12
	1-1/8" Wear Washer	-	-	-	12
4	Equalizing Beam (with adapters - roadside)	90546795	90546795	90546795	1
	Equalizing Beam (roadside)	90516873	90516873	90516873	1
	Equal. Beam (w/ adapters - roadside EZ-Align)	-	-	-	1
	Equalizing Beam (roadside EZ-Align)	-	-	-	1
	Equalizing Beam (with adapters - curbside)	90546796	90546796	90546796	1
	Equalizing Beam (curbside)	90516874	90516874	90516874	1
	Equal. Beam (w/ adapters - curbside EZ-Align)	-	-	-	1
	Equalizing Beam (curbside EZ-Align)	-	-	-	1
5	Axle Adapter (roadside)	90501379	90501379	90501379	1
	Axle Adapter (curbside)	90501380	90501380	90501380	1
6	3/4"-10 Hex Nut (upper shock lock nut)	93400492	93400492	93400492	4
	3/4"-10 Square Nut (for lower shock bolt)	93400367	93400367	93400367	2
7	3/4"-10x3 1/2" Bolt	93003597	93003597	93003597	4
	3/4"-10x4" Bolt (lower shock bolt)	93003609	93003609	93003609	2
8	Air Spring	90557235	90557235	90557243	2
9	1-1/8" Lock Nut	93400506	93400506	93400506	6
10	Air Spring Mtg Plate (ASMP)	90034268	90034268	90034268	2
11	Shock Absorber	90045381	90044162	90044642	2
	Shock Absorber	-	-	-	2
12	1-1/8"-7 Bolt	93201051	93201051	93201051	4
13	1-1/8"-7x9.5" Pivot Bolt Alignment Block Assy (EZ-Align)	90508019	90508019	90508019	1
13A	1-1/8"-7x9.5" Pivot Bolt, Welded Adjustable	93201055	93201055	93201055	1
14	1/2" Washer	93600072	93600072	93600072	2
15	Alignment Block Assembly EZ-Align	90008238	90008238	90008238	1
15A	Alignment Bushing, Welded Adjustable	90008198	90008198	90008198	2
16	3/8" Lock Washer	93600515	93600515	93600515	2
17	3/8"-16x1" Hex Bolt	93002571	93002571	93002571	2
18	3/4"-16 Hex Nut (top of air spring)	93400149	93400149	93400149	4
19	3/4" Washer	93600077	93600077	93600077	4
20	1/2"-13 Hex Nut	93400136	93400136	93400136	2
21*	Pivot Bushing	90008139	90008139	90008139	1
22*	Axle Bushing	90008149	90008149	90008149	2
23	7/8"-9x11" U-Bolt	90041170	90041170	90041170	2
24	7/8" Flat Washer	93600162	93600162	93600162	4
25	7/8"-9 Hex Lock Nut	93400498	93400498	93400498	4

* Replacement components should be purchased in bushing connection SRK kits listed on pages 5 - 6.



Frame Bracket

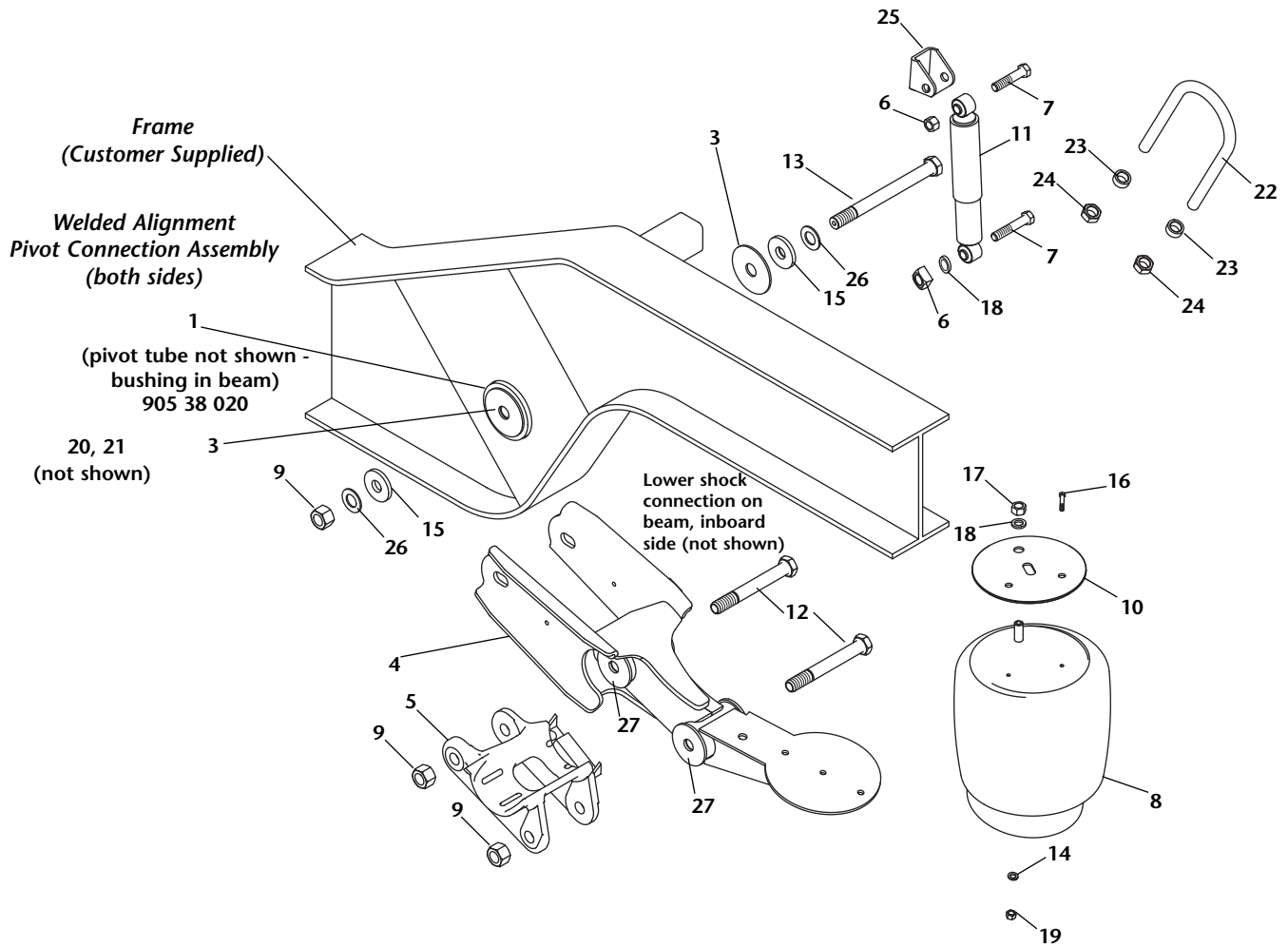
"A" DIM	PART NO.
5.06"	905 21 388
8.25"	905 21 295
11.25"	905 21 389



Air Spring

"B" DIM	PART NO.
5.67"	905 57 235
7.57"	905 57 243

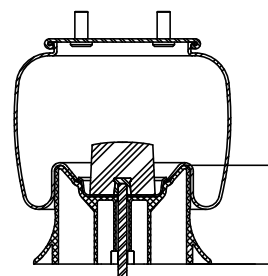
RLU-250 FRAME MOUNT (FMT) SUSPENSION EXPLODED VIEW



RLU-250 FRAME MOUNT (FMT) SUSPENSION PARTS LIST

Suspension Components - Frame Mount (FMT) Suspension

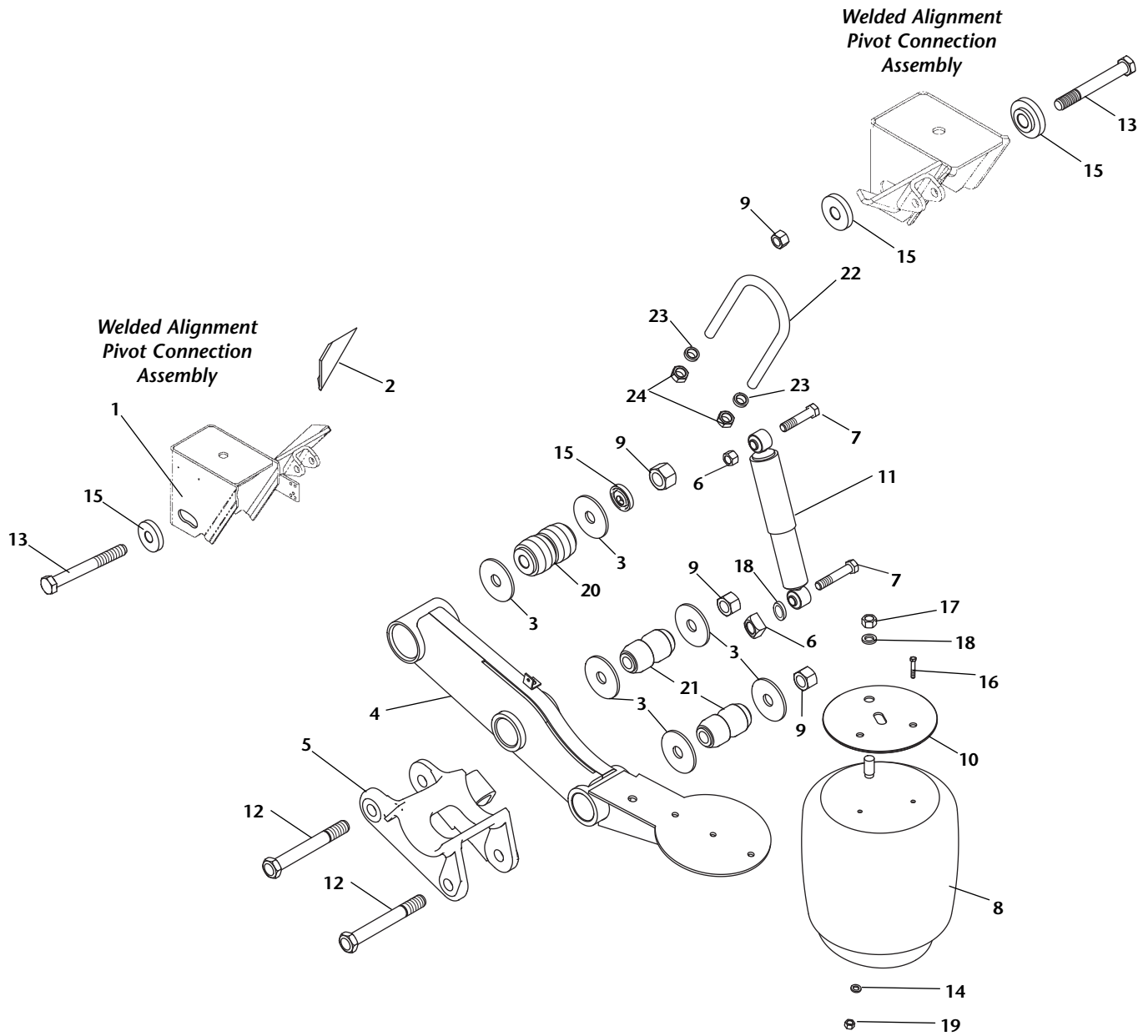
ITEM NO.	DESCRIPTION	RLU-250-6.5-FMT	RLU-250-9-FMT	RLU-250-12-FMT	QTY.
1	Pivot Tube Housing (FMT only), 5.5", 7.0" O.D., 6-5/8" long	90038393	90038393	90038393	2
	Pivot Tube Housing (FMT only), 7.0", 4.5" I.D., 6-5/8" long	90538020	90538020	90538020	2
	Pivot Assembly with rubber bushing (900 08 222) (FMT only) (not shown); 7.0" long	90538019	90538019	90538019	2
3	1-1/8" Spacer Washer	90036177	90036177	90036177	12
4	Equalizing Beam (with adapters - roadside)	90546673	90546673	90546673	1
	Equalizing Beam (roadside)	90516892	90516892	90516892	1
	Equal. Beam (w/ adapters - roadside EZ-Align)	90545675	90545675	90545675	1
	Equalizing Beam (roadside EZ-Align)	90516884	90516884	90516884	1
	Equalizing Beam (with adapters - curbside)	90546674	90546674	90546674	1
	Equalizing Beam (curbside)	90516893	90516893	90516893	1
	Equal. Beam (w/ adapters - curbside EZ-Align)	90546676	90546676	90546676	1
	Equalizing Beam (curbside EZ-Align)	90516885	90516885	90516885	1
5	Axle Adapter (roadside)	90001299	90001299	90001299	1
	Axle Adapter (curbside)	90001300	90001300	90001300	1
6	3/4"-10 Hex Nut (upper shock lock nut)	93400492	93400492	93400492	4
	3/4"-10 Square Nut (for lower shock bolt)	93400367	93400367	93400367	2
7	3/4"-10x3 1/2" Bolt	93003597	93003597	93003597	4
	3/4"-10x4" Bolt (lower shock bolt)	93003609	93003609	93003609	2
8	Air Spring	90557235	90557235	90557243	2
9	1-1/8" Lock Nut	93400506	93400506	93400506	6
10	Air Spring Mtg Plate (ASMP)	90034268	90034268	90034268	2
11	Shock Absorber	90045381	90045381	90045054	2
	Shock Absorber	-	90044162	-	2
12	1-1/8"-7 Bolt	93201051	93201051	93201051	4
	Alignment Block Assembly EZ-Align	90508016	90508016	90508016	2
13	1-1/8"-7x12" Pivot Bolt	93201064	93201064	93201064	2
14	1/2" Washer	93600072	93600072	93600072	2
15	1-1/8" Washer, Flat	93600515	93600515	93600515	2
16	3/8"-16x1" Hex Bolt	93002571	93002571	93002571	2
17	3/4"-16 Hex Nut (top of air spring)	93400149	93400149	93400149	4
18	3/4" Washer	93600077	93600077	93600077	4
19	1/2"-13 Hex Nut	93400136	93400136	93400136	2
20	Pivot Bushing	90008139	90008139	90008139	1
21	Axle Bushing	90008149	90008149	90008149	2
22	7/8"-9x11" U-Bolt	90041170	90041170	90041170	4
23	7/8" Flat Washer	93600162	93600162	93600162	4
24	7/8"-9 Hex Lock Nut	93400498	93400498	93400498	4
25	Shock Bracket Upper	90519040	90519040	90519040	2
26	1-1/8" Washer, Flat Narrow	93600174	93600174	93600174	2
27	1-1/8" Wear Washer	93600530	93600530	93600530	4



Air Spring

"B" DIM	PART NO.
6.5"	905 57 235
12.0"	905 57 243

RLU-300 STANDARD SUSPENSION EXPLODED VIEW



RLU-300 STANDARD SUSPENSION PARTS LIST

Suspension Components - Standard Suspension

ITEM NO.	DESCRIPTION	RLU-300-6.5	RLU-300-9	RLU-300-12	QTY.
1	Frame Bracket (roadside - Welded Adjustable)	90521388	90521295	90521655	1
	Frame Bracket (curbside - Welded Adjustable)	90521390	9052196	90521656	1
2	Angle Brace	90023002	90023002	90023002	4
	Angle Brace	90025873	90025873	90025873	4
3	1-1/8" Spacer Washer	90036177	90036177	90036177	12
4	Equalizing Beam (with adapters - roadside)	90547853	90547853	90546795	1
	Equalizing Beam (roadside)	90517034	90517034	90516873	1
	Equalizing Beam (with adapters - curbside)	90547854	90547854	90547854	1
	Equalizing Beam (curbside)	90517035	90517035	90517035	1
5	Axle Adapter (roadside)	90501379	90501379	90501379	1
	Axle Adapter (curbside)	90501380	90501380	90501380	1
6	3/4"-10 Hex Nut (upper shock lock nut)	93400492	93400492	93400492	4
	3/4"-10 Square Nut (for lower shock bolt)	93400367	93400367	93400367	2
7	3/4"-10x3 1/2" Bolt	93003597	93003597	93003597	4
	3/4"-10x4" Bolt (lower shock bolt - Short Beam)	93003609	93003609	93003609	2
8	Air Spring	90557111	90557111	90557185	2
9	1-1/8" Lock Nut	93400506	93400506	93400506	6
10	Air Spring Mtg Plate (ASMP)	90033785	90033785	90033785	2
11	Shock Absorber	90045471	90045337	90045444	2
12	1-1/8"-7 Bolt	93201051	93201051	93201051	4
13	1-1/8"-7x9.5" Pivot Bolt (Welded Alignment)	93201055	93201055	93201055	2
14	1/2" Washer	93600072	93600072	93600072	2
15	Alignment Block (Welded Alignment)	90008147	90008198	90008198	4
16	1/2"-13x1" Bolt	93002893	93002893	93002893	4
17	3/4"-16 Hex Nut (top of air spring)	93400149	93400149	93400149	2
18	3/4" Washer	93600077	93600077	93600077	4
19	1/2"-13 Nut	93400136	93400136	93400136	2
20*	Pivot Bushing	90008139	90008139	90008139	1
21*	Axle Bushing	90008149	90008149	90008149	2
22	7/9"-9x11" U-Bolt	90041170	90041170	90041170	2
23	7/8" Flat Washer	93600162	93600162	93600162	4
24	7/8"-9 Hex Lock Nut	93400498	93400498	93400498	4

* Replacement components should be purchased in bushing connection SRK kits listed below.

SRK-524 - Pivot

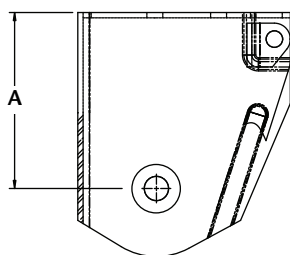
481 00 388

DESCRIPTION	PART NO.	QTY
Bushing	900 08 139	2
Washer Flat 1.141"	900 36 177	4
Bolt Hex 1.125"-7 x 8.5" GR 8	932 01 069	2
Nut Hex Lock 1.125"-7 GR C	934 00 506	2
Literature Instructions	XL-AR453	1

SRK-149 - Axle

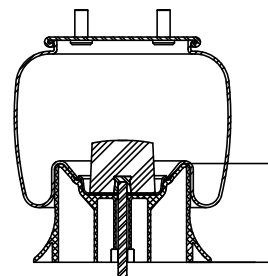
481 00 206

DESCRIPTION	PART NO.	QTY
Bolt Hex 1.125"-7 x 8.5" GR 8	932 01 051	4
Nut Hex Lock 1.125"-7 GR C	934 00 506	4
Bushing	900 08 149	4
Washer Spacer	900 36 175	8
Washer Flat 1.141"	900 36 177	8
Literature Instruction	941 00 509	1



Frame Bracket

"A" DIM	PART NO.
5.06"	905 21 388
8.25"	905 21 295
10.59"	905 21 655



Air Spring

"B" DIM	PART NO.
5.50"	905 57 111
7.00"	905 57 185

Holland Technical/Customer Service Tel: 1-888-396-6501



Copyright © March 2007 • SAF-HOLLAND, Inc.

Tel: 888-396-6501 • Fax: 800-356-3929

www.safholland.com