

Trailer Slider Air Suspension Systems

Body Rail Hold Down Clips

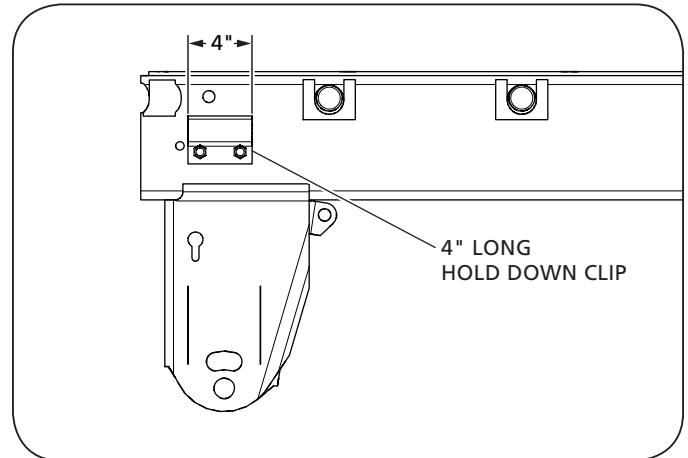
Trailers Manufactured Prior to June 2012

Please Note:

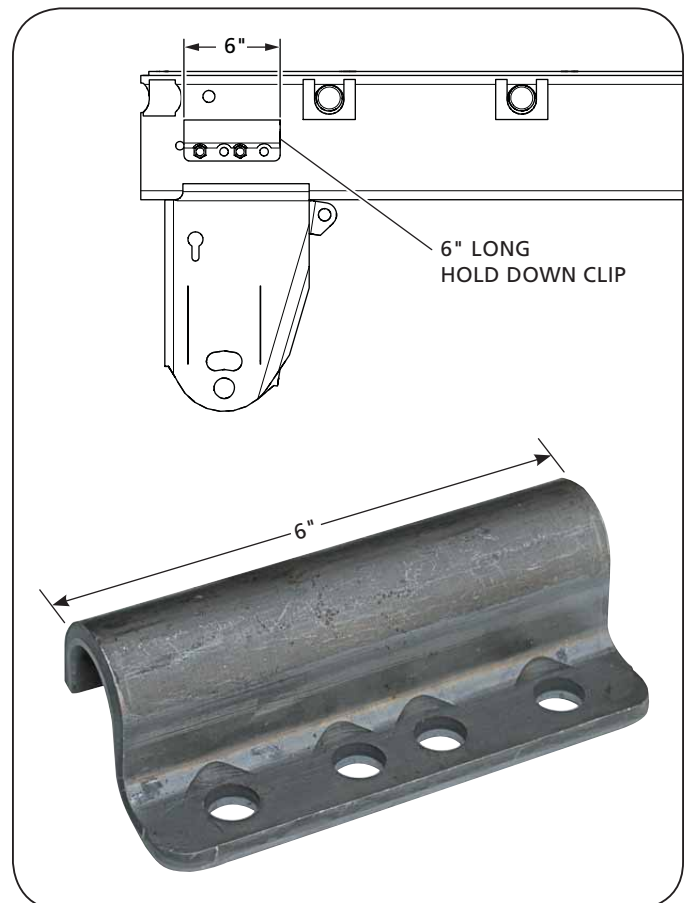
SAF-HOLLAND® has changed their slider suspension body rail hold down clips from the old style 4" long design to the longer, new style 6" long design. This hold down clip change was made on all cast beam air ride slider suspension models for van trailers effective June 2012. The new 6" long hold down clip design provides increased strength, for better retention of the slide box to the slider body rails. The new, more durable 6" design does not change form, fit or function and is reversible in design for roadside or curbside slider box installation.

Retrofitting slider suspensions manufactured prior to June of 2012 which were equipped with the prior 4" long design to the new 6" long design is an option as the new 6" clip is a direct replacement for the prior 4" clip. When retrofitting to the new 6" clip, an inspection of the overall slider should be performed to include inspection of the prior 4" clips to determine if the clips have been splayed open. If the clips are splayed open, further inspection of the slide box is necessary to insure any significant gap between the top of the slider and body rail does not exist. Should this condition exist, retrofitting to the newer 6" clip is not recommended as this may cause the clip to bind on the body rail during installation. In the event of this condition existing, please contact the SAF-HOLLAND® Service Department or your SAF-HOLLAND® Sales and Service Representative. SAF-HOLLAND® will determine the appropriate actions needed to ensure your continued satisfaction of our products.

Old Style



New Style





From fifth wheel rebuild kits to suspension bushing repair kits, SAF-HOLLAND Original Parts are the same quality components used in the original component assembly.

SAF-HOLLAND Original Parts are tested and designed to provide maximum performance and durability. Will-fits, look-alikes or, worse yet, counterfeit parts will only limit the performance potential and could possibly void SAF-HOLLAND's warranty. Always be sure to spec SAF-HOLLAND Original Parts when servicing your SAF-HOLLAND product.

SAF-HOLLAND USA • 888.396.6501 • Fax 800.356.3929
www.safholland.us

SAF-HOLLAND CANADA • 519.537.3494 • Fax 800.565.7753
WESTERN CANADA • 604.574.7491 • Fax 604.574.0244
www.safholland.ca

SAF-HOLLAND MEXICO • 52.55.5362.8743 • Fax 52.55.5362.8743
www.safholland.com.mx

info@safholland.com