

# Service Bulletin

## HOLLAND Fifth Wheel

### Release Handle Replacement

### FW17 Series Fifth Wheel Top Plates

January 2012

#### 1. Issue

SAF-HOLLAND has determined that some Holland FW17 fifth wheels do not operate as designed. The fifth wheel's release handle is remaining on the top plate's unlock notch (**Figure 1**) and is not automatically moving to the "ready to couple" position (**Figure 2**) when the trailer kingpin exits the top plate's locking mechanism. Therefore, the fifth wheel will remain unlocked during the next coupling attempt.

If the release handle remains on the unlock notch (**Figure 1**) after uncoupling, the release handle needs to be replaced. Replace the release handle using Replacement Kit RK-171-11079-M. The kit can be obtained from your local SAF-HOLLAND Original Parts Distributor or by contacting Customer Service at 800-876-3929.

Figure 1

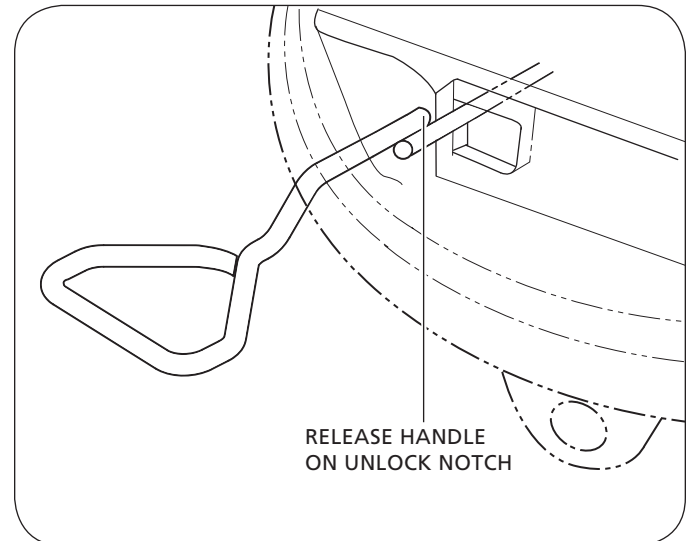
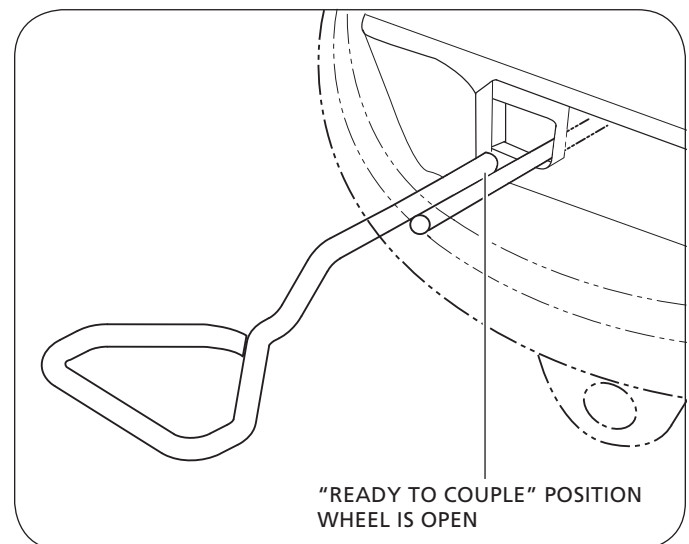


Figure 2



An operator can easily detect this issue when performing the required visual inspection of the tractor trailer coupling. The operator will notice that the release handle is not fully retracted in the closed/locked position with the lock notch behind the rib as shown (**Figure 3**) and the hook is not engaged behind the lock (**Figure 4**). If the release handle is not in the closed/locked position the fifth wheel is NOT locked.

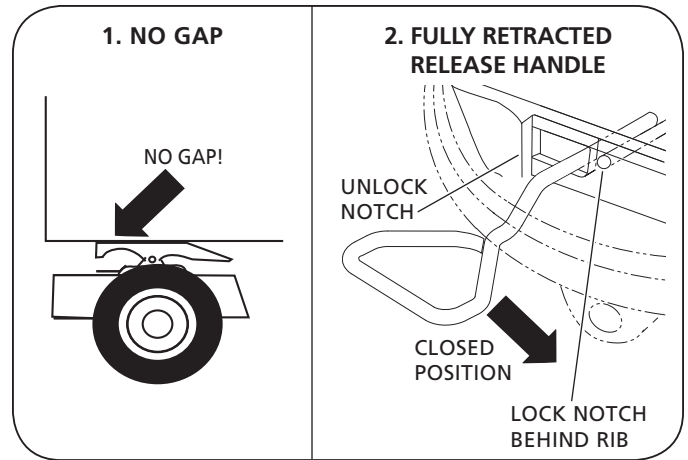
**IMPORTANT:** A fifth wheel may pass a tug test even if the locking mechanism is NOT securely closed around the kingpin.

## 2. Model Identification

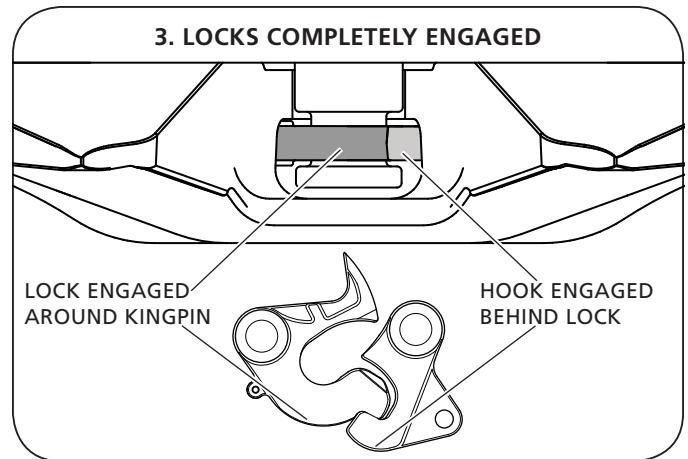
Fifth wheel serial tags are located on the left side of the fifth wheel top plate above the fifth wheel bracket pin or on the pickup ramps as shown (**Figure 5**).

The part number and serial number are listed on the tag as shown (**Figure 5**).

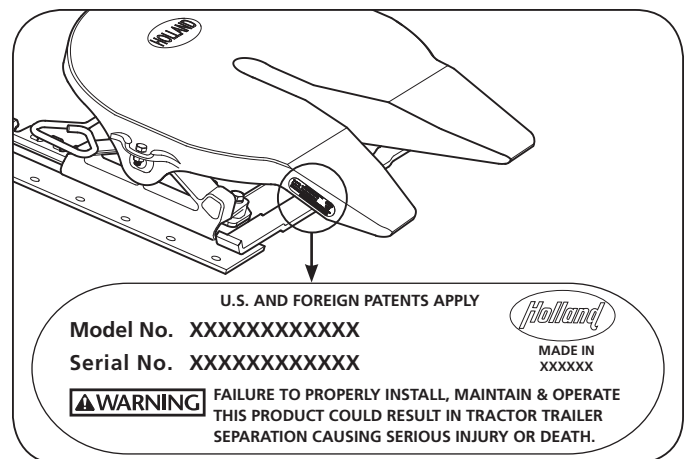
**Figure 3**



**Figure 4**



**Figure 5**



## 3. Service Report Instructions

If the FW17 fifth wheel is in need of repair, complete a SAF-HOLLAND service report which can be found on our web site:

[www.safholland.us](http://www.safholland.us)  
Warranty, Claims and Processing  
Claims Form: XL-MP10004CF

The completed SAF-HOLLAND service report can be submitted by fax (800.356.3929) or U.S. mail to:

SAF-HOLLAND, Inc.  
P.O. Box 425  
Muskegon, MI USA 49443-0425

Upon receipt of the completed service report, SAF-HOLLAND will assign a service notification number and send a FW17 top plate release handle replacement kit, RK-171-11079-M, at no charge to you or your customers.



From fifth wheel rebuild kits to suspension bushing repair kits, SAF-HOLLAND Original Parts are the same quality components used in the original component assembly.

SAF-HOLLAND Original Parts are tested and designed to provide maximum performance and durability. Will-fits, look-alikes or, worse yet, counterfeit parts will only limit the performance potential and could possibly void SAF-HOLLAND's warranty. Always be sure to spec SAF-HOLLAND Original Parts when servicing your SAF-HOLLAND product.

**SAF-HOLLAND USA • 888.396.6501 • Fax 800.356.3929**  
[www.safholland.us](http://www.safholland.us)

**SAF-HOLLAND CANADA • 519.537.3494 • Fax 800.565.7753**  
**WESTERN CANADA • 604.574.7491 • Fax 604.574.0244**  
[www.safholland.ca](http://www.safholland.ca)

**SAF-HOLLAND MEXICO • 52.1.55.5456.8641 • Fax 52.55.58162230**  
[www.safholland.com.mx](http://www.safholland.com.mx)

[info@safholland.com](mailto:info@safholland.com)