

Lube Plate Replacement LowLube Fifth Wheels

FW2080 LowLube, FW2570 LowLube, and FW7090 LowLube XA-2081 and XA-71 Series Top Plates

General Safety Information

This document contains procedures to replace the lube plates on the XA-2081, and XA-71 Series Fifth Wheel Top Plates.

NOTE: In the United States, workshop safety requirements are defined by federal and/or state Occupational Safety and Health Act. Equivalent laws may exist in other countries. This document is written based on the assumption that OSHA or other applicable employee safety regulations are followed by the location where work is performed.

IMPORTANT: All maintenance **MUST** be performed while the tractor is uncoupled from the trailer.

Read and observe all Warning and Caution hazard alert messages in this publication. They provide information that can help prevent serious personal injury, damage to components, or both.

All fifth wheel replacement procedures must be performed by a properly trained technician using proper tools and safe procedures.

IMPORTANT: You must read and understand all of the procedures contained in this manual before attempting any replacement procedures.

WARNING Failure to follow all of the procedures contained in this manual could cause a hazardous condition to develop which, if not avoided, could result in death or serious injury.

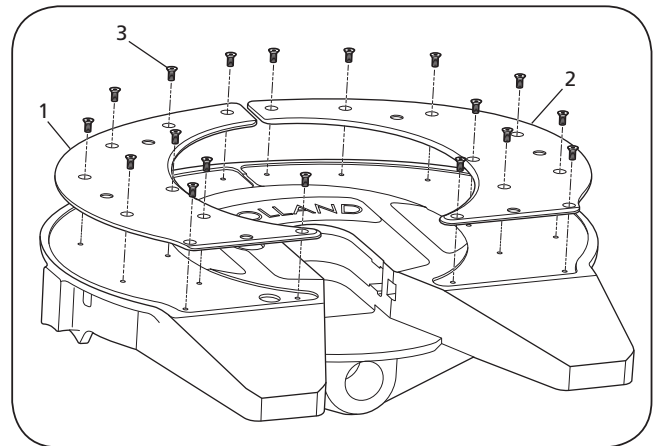
IMPORTANT: Prior to operation of the fifth wheel you **MUST** be thoroughly satisfied that the fifth wheel has been properly installed on the vehicle.

WARNING Failure to properly install the fifth wheel could adversely affect performance resulting in tractor trailer separation which, if not avoided, could result in death or serious injury.

Only SAF-HOLLAND Original Parts should be used.

A list of SAF-HOLLAND technical support locations that supply SAF-HOLLAND Original Parts can be found at www.safholland.us or contact SAF-HOLLAND Customer Service 888-396-6501.

Figure 1



RK-2501550 LUBE PLATE REPLACEMENT KIT (Figure 1)

ITEM	DESCRIPTION	PART NO.	QTY.
1	Plate, Lube	XB-2501550-L-NA	1
2	Plate, Lube	XB-2501550-R-NA	1
3	FHSCS, M8 x 1.25 x 20 LG	XB-FHSCS-M8-20-Z	18

Lube Plate Replacement

Lube Plate Inspection

IMPORTANT: Lube plate replacement may not be required. Before replacing the lube plates, perform the following inspection procedure.

1. Thoroughly steam clean top surface of fifth wheel for visual inspection. Replace lube plates if:
 - One or both lube plates are missing.
 - A straight edge laid across the lube plate contacts any portion of the fifth wheel surrounding the lube plates (**Figure 2**).
 - Lube plates are severely chipped, worn, cracked, gouged or bent.
 - 20% (40 sq. in.) or more of lube plate surface is missing from one or both plates due to normal wear or damage.
 - Any of the three (3) wear recesses are no longer visible (**Figure 3**).

Figure 2

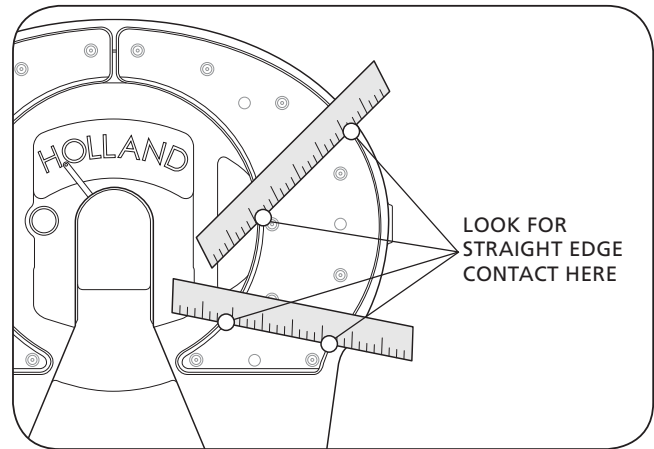
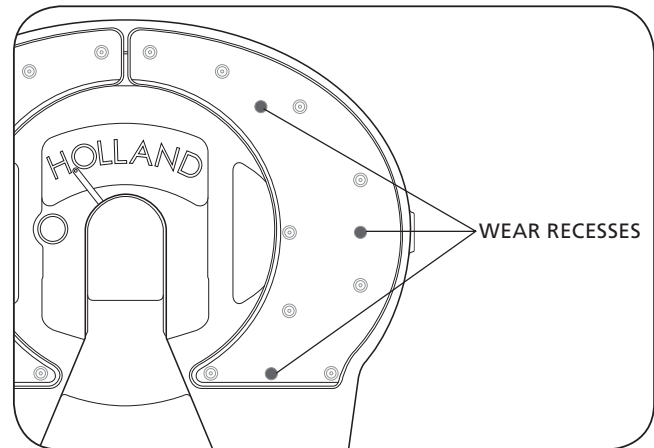


Figure 3



Lube Plate Replacement

1. Remove and discard the M8 x 1.25 x 20 flat head cap screws that secure the lube plates (**Figure 4**).
2. Remove the lube plates from fifth wheel and discard (**Figure 4**).
3. Steam clean or use a putty knife to remove dirt, grease, debris, etc. from fifth wheel top plate recess (**Figure 5**).

NOTE: If steam cleaning, allow to dry or remove excess moisture before performing the next step.

4. Install the new lube plates. Make sure lube plates are seated flat within the recess in fifth wheel top plate (**Figure 6**).

NOTE: Allow bowed lube plates to warm to room temperature before installation.

Figure 4

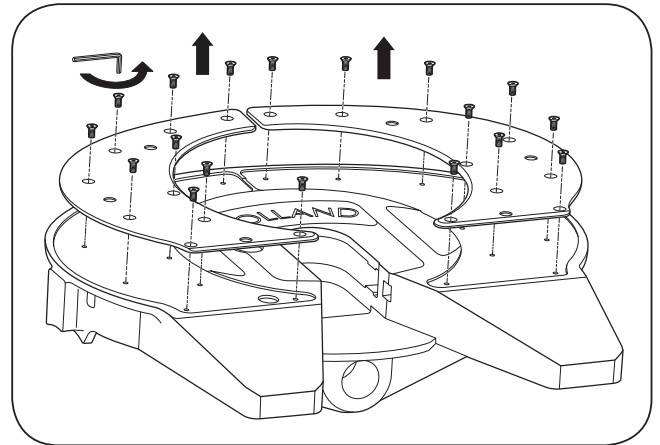


Figure 5

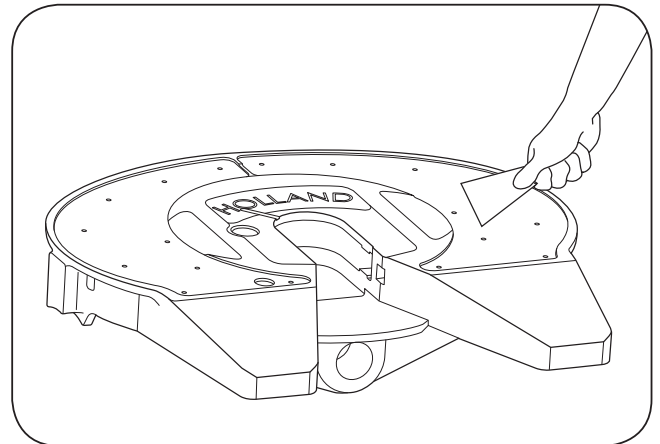
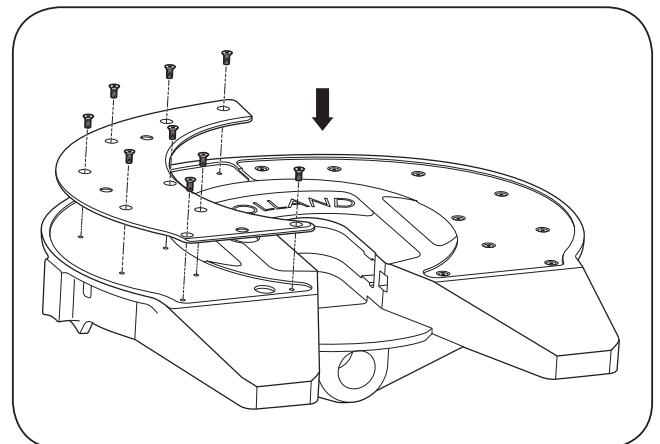


Figure 6



Lube Plate Replacement

Lube Plate Replacement

5. Install the new M8 x 1.25 x 20 flat head cap screws onto the lube plate studs. Tighten to 22 ft.-lbs. (29 N•m) (*Figure 7*).

IMPORTANT: DO NOT lubricate or overtighten. Check to see that the lube plates are pulled tight against the recess in the fifth wheel plate.

Figure 7

