

## ELI-te™ Electronic Lock Indicator Retrofit Fifth Wheel Drilling Instructions

### Introduction

This manual provides procedures for machining FW35, FW33, or FW31 fifth wheels before installation of the Electronic Lock Indicator System Technology Enhanced (ELI-te) for HOLLAND® fifth wheels. Installation instructions can be found in document XL-FW20124BM-en-US.

**NOTE:** For HOLLAND replacement components contact SAF-HOLLAND® Customer Service: 1-888-396-6501.

### Notes, Cautions, and Warnings

You must read and understand all of the procedures presented in this manual before starting work on any Electronic Lock Indicator System (ELI-te) for the HOLLAND series fifth wheels.

**IMPORTANT:** Keep this manual in a safe location for future reference.

Proper tools must be used to perform the maintenance and repair procedures described in this manual.

**NOTE:** In the United States, work shop safety requirements are defined by federal and/or state Occupational Safety and Health Acts. Equivalent laws may exist in other countries. This manual is written based on the assumption that OSHA or other applicable employee safety regulations are followed by the location where work is performed.

Throughout this manual, you will notice the terms "NOTE," "IMPORTANT," "CAUTION," and "WARNING" followed by useful product information. So that you may better understand the manual, those terms are defined as follows:

**NOTE:** Includes additional information to enable accurate and easy performance of procedures.

**IMPORTANT:** Includes additional information that, if not followed, could lead to hindered product performance.

#### CAUTION

Used without the safety alert symbol, indicates a potentially hazardous situation which, if not avoided, could result in property damage.

#### CAUTION

Indicates a potentially hazardous situation which, if not avoided, could result in minor or moderate injury.

#### WARNING

Indicates a potentially hazardous situation which, if not avoided, could result in death or serious injury.

### 1. General Safety Instructions

This manual contains retrofit procedures for installing an Electronic Lock Indicator (ELI-te) on the 351 Fifth Wheel Top Plate (XA-351 Series), and for the LowLube Fifth Wheel Top Plate (XA-331 Series) manufactured after January 1, 1997, as well as NoLube fifth wheel top plate (XA-311 Series) (**Figure 1**).

The ELI-te is NOT available for FW3500 fifth wheel top plates manufactured before December 31, 1996 (**Figure 2**).

**IMPORTANT:** The electronic lock indicator is a tractor/trailer coupling aid and is intended as an additional safety check to assure the driver of a safe and complete coupling. It DOES NOT eliminate the requirement for a visual inspection of the fifth wheel.

#### WARNING

ALWAYS GET OUT OF THE TRACTOR CAB AND VISUALLY INSPECT THE FIFTH WHEEL COUPLING. Failure to verify proper coupling can result in tractor and trailer separation, causing death or serious injury.

Figure 1

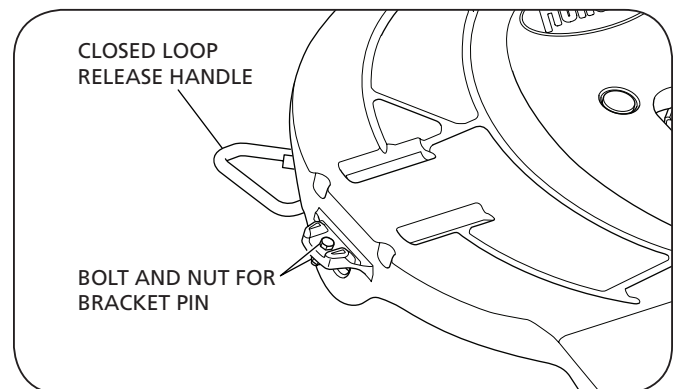
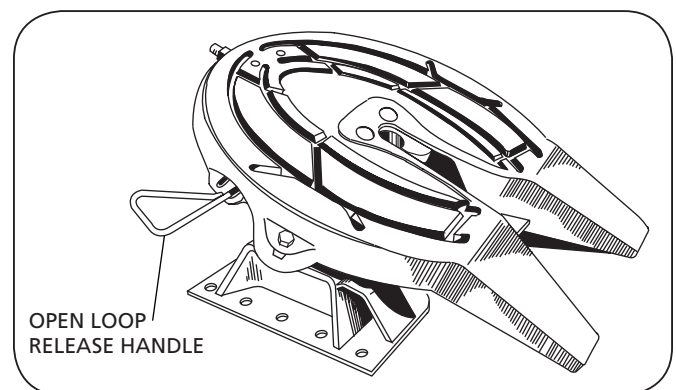


Figure 2



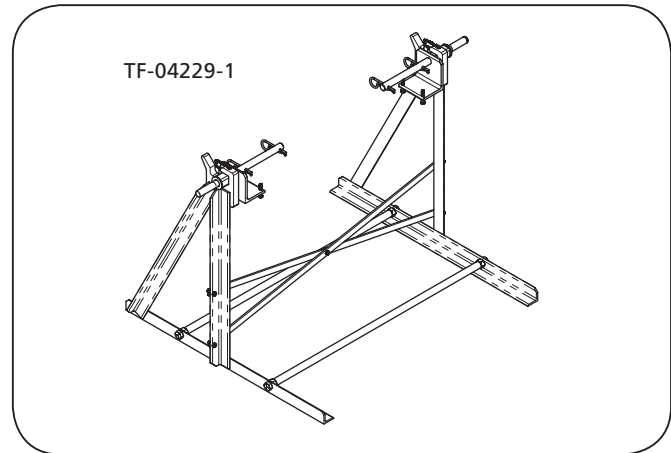
## 1.1 Important safety information

- Before attempting ELI-te retrofit installation, you **MUST** read and understand the following:
- **DO NOT** attempt to install ELI-te on any XA-351 or XA-331 fifth wheel without following the instructions contained in this manual.
- **DO NOT** modify, change, weld, or add to the product. Use only genuine HOLLAND parts. Use only the components supplied in the kit.
- Perform all procedures in a lighted area clear of obstacles and other personnel.
- Always wear safety goggles during removal, installation, or service procedures.
- **DO NOT** strike any part of the product with a steel hammer, except where instructed to do so.
- Observe standard precautions when lifting.

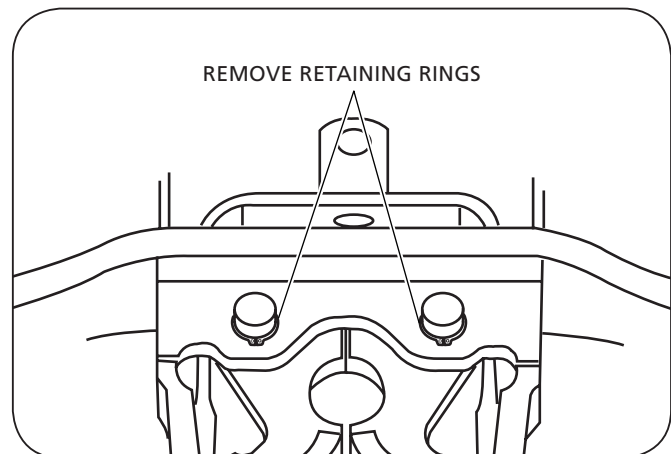
## 2. Drilling Instructions

1. Remove the fifth wheel top plate for the tractor or dolly according to the fifth wheel owner's manual XL-FW10009UM-en-US or the ELI-te rebuild manual XL-FW20124BM-en-US.
2. Using a lifting device capable of lifting 500 lbs. (227 kg), remove top plate from mounting base. Place fifth wheel upside down on a flat, clean working area, or HOLLAND rebuild stand TF-04229-1 (**Figure 3**).
3. Remove and discard the retaining rings from the lock pins (**Figure 4**).
4. Place drill fixture over the lock pins (**Figure 5**) with "UP" mark on opposite side. Clamp the fixture to the fifth wheel. Precisely positioning these holes is important for the ELI-te system.

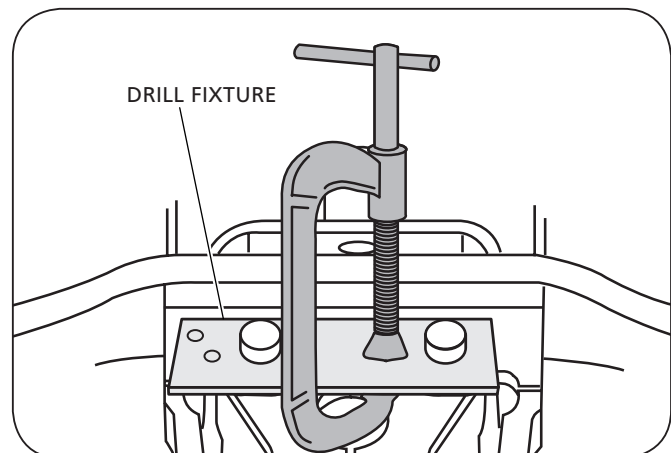
**Figure 3**



**Figure 4**



**Figure 5**



SAF-HOLLAND Group

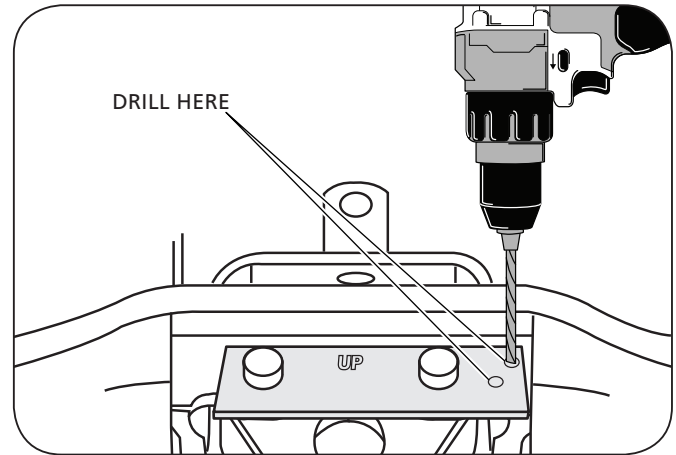
5. Drill both holes 5/8" deep with a #1 (.228) drill bit. Remove the fixture.
6. Place drill fixture over the lock pins (**Figure 6**) with "UP" mark visible. Clamp the fixture to the fifth wheel.
7. Drill both holes 5/8" deep with a #1 (.228) drill bit. Remove the fixture (**Figure 7**).

**NOTE:** Before proceeding, make sure the top plate and work areas are free of chips and burrs.

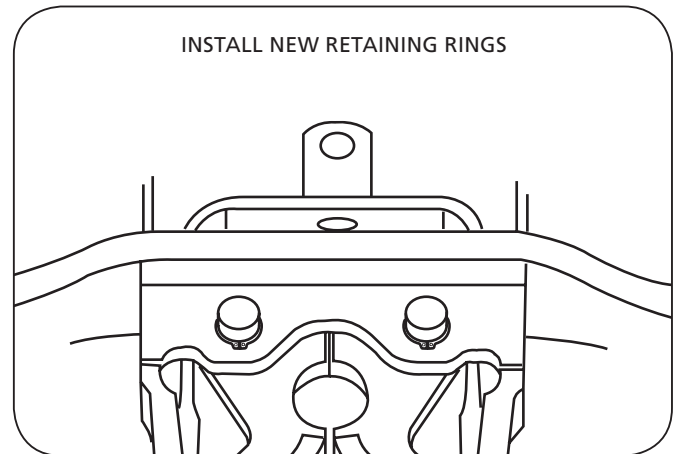
8. Install the new retaining rings (**Figure 8**).
9. Drill all four holes 5/8" deep with a F (.257) drill bit.
10. Remove drilling chips from holes.
11. Tap holes with 5/16"-18 tap. Use cutting oil.
12. Remove tapping chips from holes.
13. Turn fifth wheel top plate over and ensure excess grease is removed.
14. Support fifth wheel to prevent movement while drilling.
15. Place drilling template (XA-12151) on the fifth wheel and follow template instructions to drill and tap through holes (**Figure 9**).

**NOTE:** ELI-te Installation instructions can be found in document XL-FW20124BM-en-US.

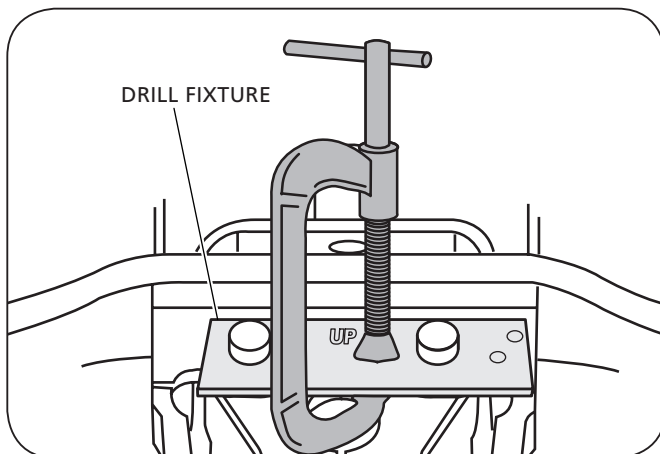
**Figure 7**



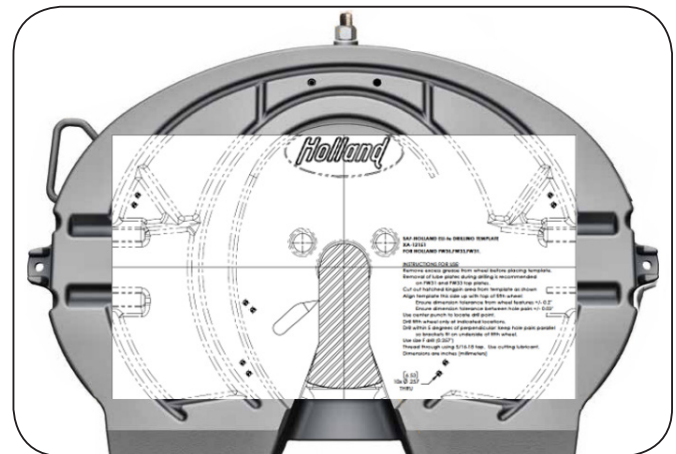
**Figure 8**



**Figure 6**



**Figure 9**





From fifth wheel rebuild kits to suspension bushing repair kits, SAF-HOLLAND Original Parts are the same quality components used in the original component assembly.

SAF-HOLLAND Original Parts are tested and designed to provide maximum performance and durability. Will-fits, look-alikes or, worse yet, counterfeit parts will only limit the performance potential and could possibly void SAF-HOLLAND's warranty. Always be sure to spec SAF-HOLLAND Original Parts when servicing your SAF-HOLLAND product.

**SAF-HOLLAND USA • 888.396.6501 • Fax 800.356.3929**  
[www.safholland.us](http://www.safholland.us)

**SAF-HOLLAND CANADA • 519.537.3494 • Fax 800.565.7753**  
**WESTERN CANADA • 604.574.7491 • Fax 604.574.0244**  
[www.safholland.ca](http://www.safholland.ca)

**SAF-HOLLAND MEXICO • 52.55.5362.8743 • Fax 52.55.5362.8743**  
[www.safholland.com.mx](http://www.safholland.com.mx)

[info@safholland.com](mailto:info@safholland.com)