



GO THE DISTANCE.

FIFTH WHEEL FASTENER KITS

Holland is providing fifth wheel fastener kits designed to provide hardware for mounting Holland stationary and sliding fifth wheels. The four kits available are listed below. Charts are also provided giving recommendations for the number of fasteners required for proper installation. See the reverse side for schematics showing proper fastener installation.

FASTENER KITS AVAILABLE:

- PK-FAST-10 10 fastener kit
- PK-FAST-14 14 fastener kit
- PK-FAST-18 18 fastener kit
- PK-FAST-20 20 fastener kit

RECOMMENDATIONS FOR THE NUMBER OF FASTENERS REQUIRED:

The charts below show the minimum number of .62" diameter grade 8 bolts, hardened washers and grade C lock-nuts required to attach a fifth wheel with a 40,000 lbs. vertical load and 150,000 lbs. drawbar capacity **onto mounting angles***.

Stationary Fifth Wheel Mounts:

	<u>Inboard Mount*</u>	<u>Outboard Mount*</u>
No. Fasteners Required	10	10

Sliding Fifth Wheel Mounts:

To determine the number of fasteners required for sliding fifth wheel mounts, proceed as follows:
 From the fifth wheel model number, determine the bracket code and travel length code. Read across the chart at the proper travel code until you reach the columns containing the bracket code. From this column, select the number of fasteners required for either inboard or outboard mount. **NOTE: For outboard mounted fifth wheels,** if fasteners are also required to attach the angles to the tractor frame, add the number of fasteners listed in the inboard mount column to the number listed in the outboard mount column.

MODEL NO.

BRACKET CODE TRAVEL CODE

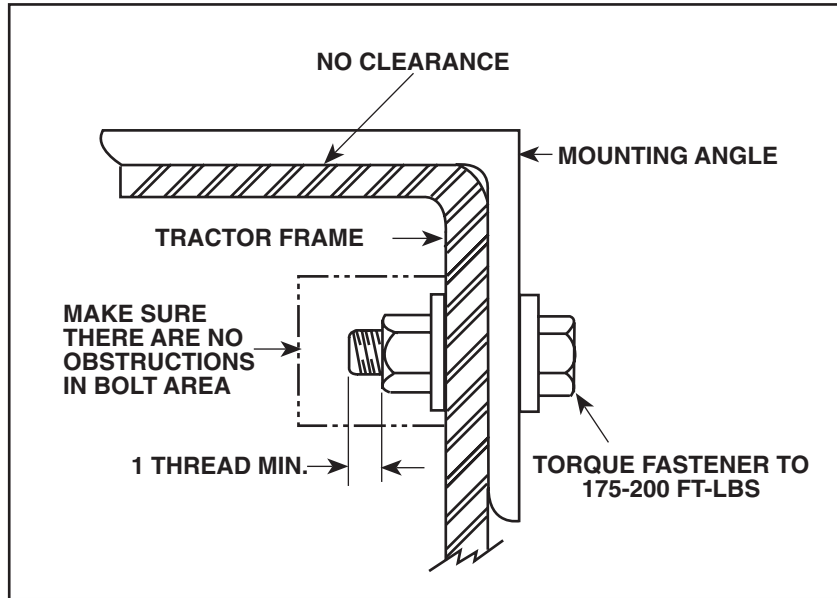
EXAMPLE: FW2535-7003T4L

TRAVEL CODE	LOW MOUNT BRACKET CODES 7003, 7013, 7301, 7311			STANDARD HEIGHT BRACKET CODES 7001, 7002, 7011, 7012			HIGH MOUNT BRACKET CODES 7009, 7019		
	TRVL.	IN. MT.	OUT. MT.*	TRVL.	IN. MT.	OUT. MT.*	TRVL.	IN. MT.	OUT. MT.*
1	10.7"	12	16	12.2"	10	14	N/A	N/A	N/A
2	16.8"	14	18	18.4"	12	16	13.8"	12	16
3	24.5"	16	20	24.5"	14	18	19.9"	14	18
4	41.3"	20	26	36.7"	16	22	32.1"	16	22
5	53.6"	22	30	48.9"	20	26	44.4"	20	26
6	65.8"	26	34	61.2"	22	30	56.6"	22	30
7	N/A	N/A	38	73.4"	26	34	68.9"	26	34

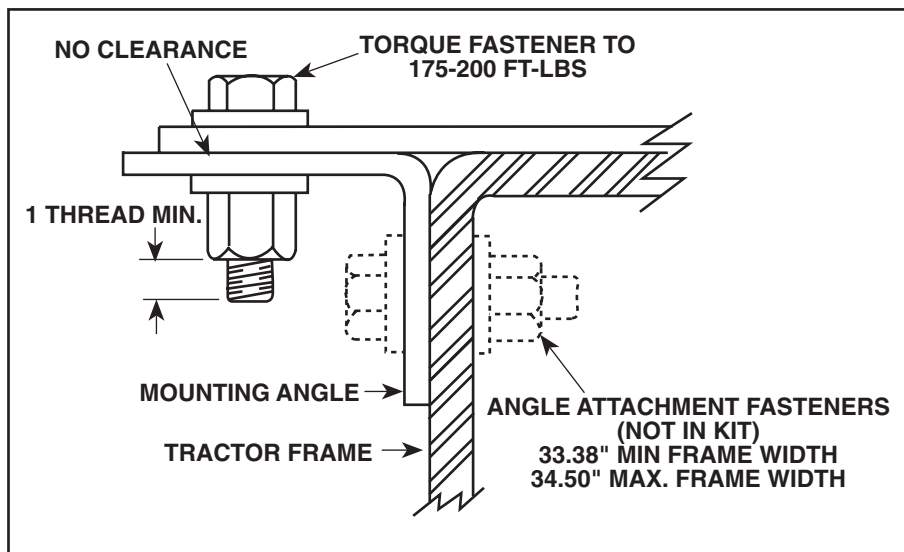
*** WARNING: USE FIVE (5) FASTENERS MINIMUM PER SIDE. FOR MORE INFORMATION SEE HOLLAND PUBLICATION "FIFTH WHEEL INSTALLATION INSTRUCTIONS," PUBLICATION FW-TE-14-A.**

INSTRUCTIONS FOR KIT USAGE (SEE REVERSE):

INBOARD ANGLE MOUNT FIFTH WHEEL INSTALLATION



OUTBOARD ANGLE MOUNT FIFTH WHEEL INSTALLATION



GO THE DISTANCE.

HOLLAND USA, INC.

1950 Industrial Blvd. • P.O. Box 425 • Muskegon, MI 49443-0425 • Phone 888-396-6501 • Fax 800-356-3929
www.thehollandgroupinc.com

Copyright © January 2003 • The Holland Group, Inc.

Holland USA, Inc. Facilities:

Denmark, SC Muskegon, MI
 Dumas, AR Warrenton, MO
 Holland, MI Wylie, TX

Ph: 888-396-6501 Fax: 800-356-3929

Holland International, Inc.

Holland, MI
 Phone: 616-396-6501
 Fax: 616-396-1511

Holland Hitch of Canada, Ltd.

Woodstock, Ontario • Canada
 Phone: 519-537-3494
 Fax: 800-565-7753

Holland Equipment, Ltd.

Norwich, Ontario • Canada
 Phone: 519-863-3414
 Fax: 519-863-2398

Holland Hitch Western, Ltd.

Surrey, British Columbia • Canada
 Phone: 604-574-7491
 Fax: 604-574-0244