



FIFTH WHEELS

INSTALLATION AND ADJUSTMENT INSTRUCTIONS



Lock Guard Kit RK-05329 for XA-3501 Series Top Plates

INSTALLATION:

1. Pull the release handle and pry open the locks.
2. Remove the old lock guard and lock guard parts.
3. Assemble the lock guard, XA-3514 and torsion spring XB-1044 (see *Figure 1*).
4. Mount the lock guard into place, using the pivot shaft XA-1055 and two XB-16 cotter pins.
5. Check the lock guard for spring tension and free movement by actuating the lock guard manually.
6. Check adjustment. When properly adjusted, the tip of the lock guard should be even with the edge of the 2" bore in the lock jaws (see *Figure 2*).
7. Adjust the position of the lock guard by supporting the end of the guard with a short piece of steel placed between the locks and lock guard and then tap the center of the guard to adjust (see *Figure 3*).
8. Lubricate all moving parts with a light oil.



Figure 1

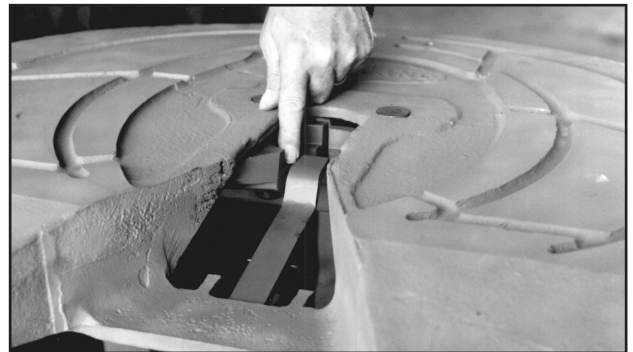
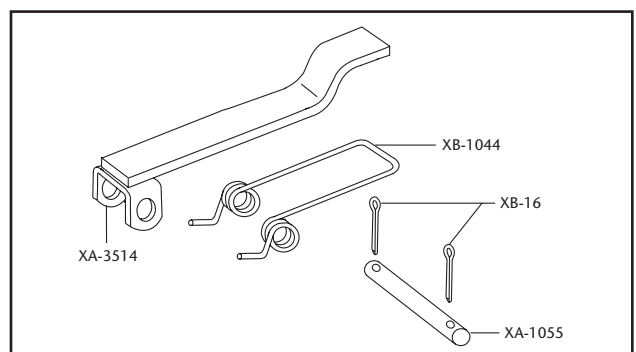


Figure 2



Figure 3



CHECK FIFTH WHEEL OPERATION:

As a final check of the installation, close the locks using a Holland Lock Tester. Verify that the locking mechanism functions properly. Refer to Holland publication XL-FW130 for specific details on how to operate the tester.

NOTE: IF TOP PLATE DOES NOT OPERATE PROPERLY, DO NOT USE IT! Refer to Holland publication XL-FW129, Rebuilding Procedures for XA-3501 Series Fifth Wheel Top Plates or contact your local Holland representative for assistance.

Holland USA, Inc. Facilities:

Denmark, SC Warrenton, MO
Dumas, AR Whitehouse Station, NJ
Holland, MI Wylie, TX
Muskegon, MI

Holland International, Inc.

Holland, MI
Phone: 616-396-6501
Fax: 616-396-1511

Holland Hitch of Canada, Ltd.

Woodstock, Ontario • Canada
Phone: 519-537-3494
Fax: 800-565-7753

Holland Equipment, Ltd.

Norwich, Ontario • Canada
Phone: 519-863-3414
Fax: 519-863-2398

Holland Hitch Western, Ltd.

Surrey, British Columbia • Canada
Phone: 604-574-7491
Fax: 604-574-0244