



AIR RELEASE PROCEDURES

(Aftermarket)



XA-351-A-86-L & XA-3501 Retrofit Wheel

BEFORE YOU INSTALL OR USE

⚠ WARNING Holland Hitch Air Operated Fifth Wheel System must be installed in accordance with the instructions provided with the product. If the installation instructions are not followed and the system is not properly interlocked

with the tractor-trailer parking brake system, there is a potential for inadvertent activation of the release mechanism while the vehicle is in motion. The consequences of such activation could be death, serious bodily injury, and/or significant property damage.

CONTROL MODULE INSTALLATION

The Air Release Control Module is intended for installation in the tractor cab. It may be placed in a convenient position within reach of the operator. Installation must not obstruct vision or access to the standard gauges and operator controls. Connections will be made with the tractor air reservoir, parking brake valve, the fifth wheel, the vehicle electrical panel and the control module.

As with all air operated accessories, the air release fifth wheel system requires a properly conditioned air supply for best performance and long life. Refer to power unit maintenance procedures for recommended air system service intervals.

The control module is ported to receive 1/4" O.D. nylon tubing to make the external air connections. The installation package contains a 35-foot length of tubing for this purpose. Tee-fittings required for the tractor connections are not included. They must be obtained separately to accommodate size variations in tractor plumbing according to tractor make and model.

FIGURE 1 illustrates the required connections to the Control Module. **FIGURE 2** is a system schematic indicating the proper connection points. Do not attempt this installation without a full knowledge of tractor air and brake systems.

FIGURE 1
Fifth Wheel Release Control
Module Connections

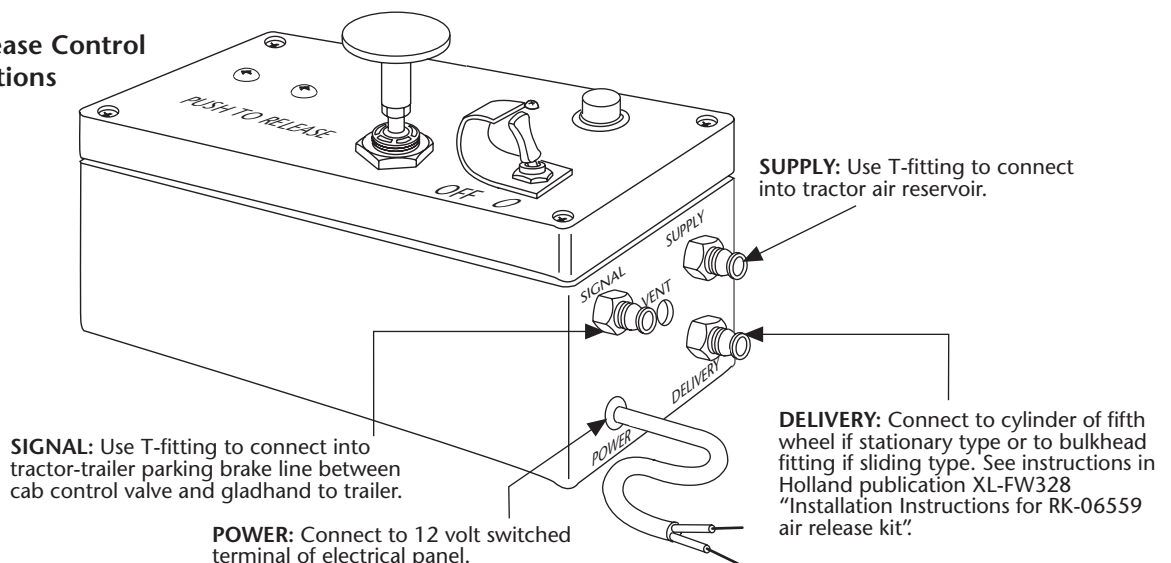
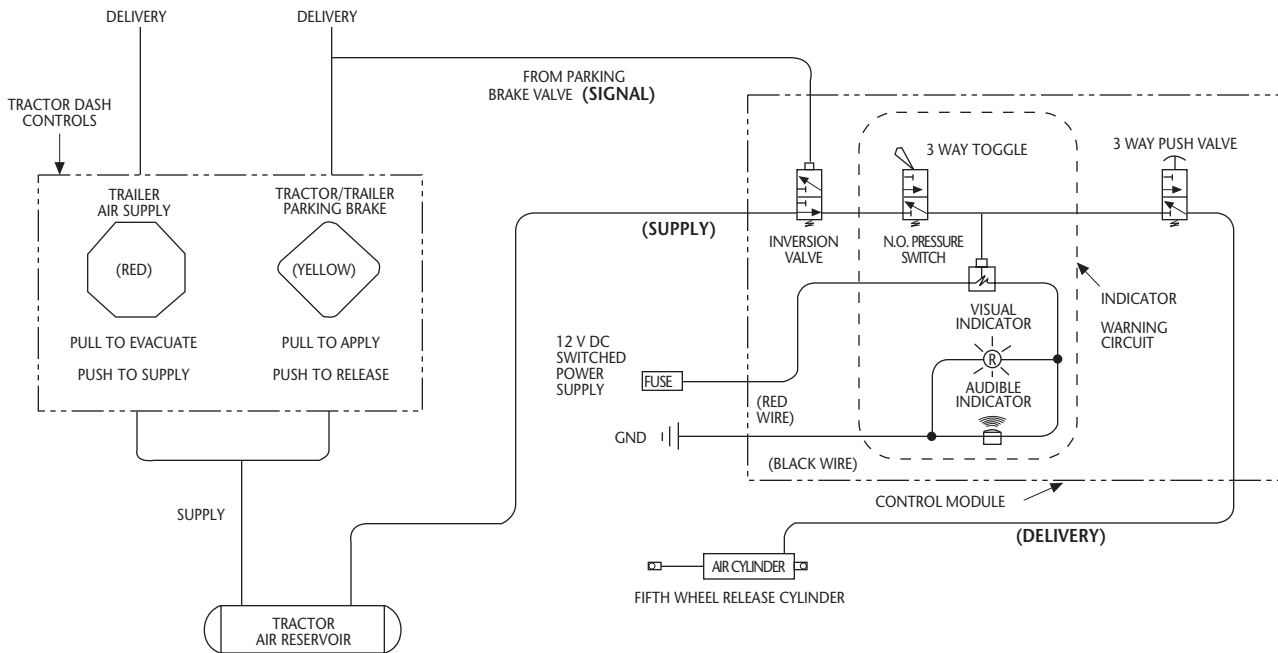


FIGURE 2
System Schematic



COUPLING PROCEDURES

Coupling procedures are listed in the associated document XL-FW302. Please read before operating fifth wheel.

UNCOUPLING PROCEDURES

1. Set parking brake.
2. Block trailer wheels.
3. Lower landing gear.
4. Disconnect trailer electric and gladhand connections.
5. Position toggle switch of control module to "ON". The alarm will sound and the indicator lamp will be illuminated.
6. Push fifth wheel release valve, hold for four seconds, then release.
7. Position toggle switch to "OFF".
8. Release tractor parking brake and drive away.
9. Should the fifth wheel fail to uncouple, back into blocked trailer to relieve kingpin pressure and repeat procedure steps 1, 5, 6, 7 and 8.

NOTE: Once the vehicles have separated, the fifth wheel is set to couple automatically. Further control module manipulation or adjustments are not required.

Copyright © June 2003 • The Holland Group, Inc.

Holland USA, Inc. Facilities:

Dumas, AR Warrenton, MO
Holland, MI Wylie, TX
Muskegon, MI

Ph: 888-396-6501 Fax: 800-356-3929

Holland International, Inc.

Holland, MI
Phone: 616-396-6501
Fax: 616-396-1511

Holland Hitch of Canada, Ltd.

Woodstock, Ontario • Canada
Phone: 519-537-3494
Fax: 800-565-7753

Holland Equipment, Ltd.

Norwich, Ontario • Canada
Phone: 519-863-3414
Fax: 519-863-2398

Holland Hitch Western, Ltd.

Surrey, British Columbia • Canada
Phone: 604-574-7491
Fax: 604-574-0244